



# PARTS MANUAL

**QX<sup>2</sup>**

**XL<sup>2</sup>**

## 3&5 SECTION FIELD CULTIVATORS

**SERIAL NUMBER 457000 & UP**

Printed in USA (74294) 1/2011

 **WIL-RICH**

PO Box 1030

Wahpeton, ND 58074

PH (701) 642-2621

Fax (701) 642-3372

[www.wil-rich.com](http://www.wil-rich.com)

# WARRANTY

The only warranty Wil-Rich gives and the only warranty the dealer is authorized to give is as follows:

We warrant products sold by us to be in accordance with our published specifications or those specifications agreed to by us in writing at time of sale. Our obligation and liability under this warranty is expressly limited to repairing, or replacing, at our option, within 12 months after date of retail delivery, any product not meeting the specifications. ***We make no other warranty, express or implied and make no warranty of merchantability or of fitness for any particular purpose.*** Our obligation under the warranty shall not include any transportation charges or costs or installation or any liability for direct, indirect or consequential damage or delay. If requested by us, products or parts for which a warranty claim is made are to be returned transportation prepaid to our factory. Any improper use, operation beyond rated capacity, substitution of parts not approved by us, or any alteration or repair by others in such manner as in our judgment affects the product materially and adversely shall void this warranty. ***No employee or representative is authorized to change this warranty in any way or grant any other warranty.***

Wil-Rich reserves the right to make improvement changes on any of our products without notice.

***When warranty limited or not applicable:*** Warranty on hoses, cylinders, hubs, spindles, engines, valves, pumps or other trade accessories are limited to the warranties made by the respective manufactures of these components. Rubber tires and tubes are warranted directly by the respective tire manufacturer only, and not by Wil-Rich.

Warranty does not apply to any machine or part which has been repaired or altered in any way so as in the our judgment to affect its reliability, or which has been subject to misuse, negligence or accident.

***A Warranty Validation and Delivery Report Form must be filled out and received by Wil-Rich to initiate the warranty coverage.***

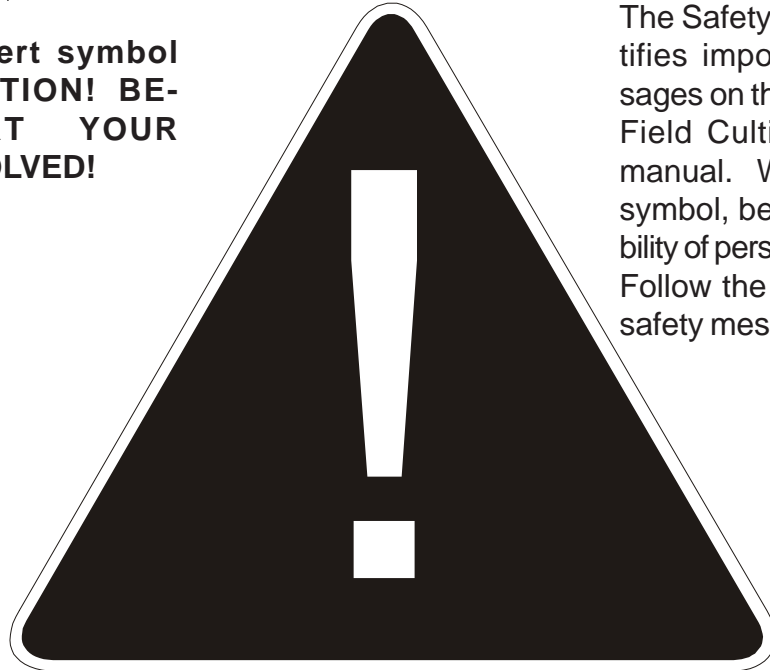
## WARRANTY CLAIMS PROCEDURE

1. The warranty form must be returned to Wil-Rich within fifteen (15) working days from the repair date.
2. Parts returned to Wil-Rich without authorization will be refused. The parts must be retained at the dealership for ninety (90) days after the claim has been filed. If the Service Department would like to inspect the parts, a packing slip will be mailed to the dealer. The packing slip must be returned with the parts. The parts must be returned prepaid within thirty (30) days of receiving authorization. After the parts are inspected and warranty is verified, credit for the return freight will be issued to the dealer.
3. Parts that will be scrapped at the dealership will be inspected by a Wil-Rich Sales Representative, District Sales Manager or Service Representative within the ninety (90) day retaining period.

# PERSONAL SAFETY IS IMPORTANT!

ALL PERSONNEL INVOLVED WITH THE ASSEMBLY AND/OR OPERATION OF THIS EQUIPMENT MUST BE INFORMED OF PROPER SAFETY PROCEDURES. OPERATOR'S/ ASSEMBLY MANUALS PROVIDE THE NECESSARY INFORMATION. IF THE MANUAL IS LOST FOR A PARTICULAR IMPLEMENT, ORDER A REPLACEMENT AT ONCE. OPERATOR'S AND ASSEMBLY MANUALS ARE AVAILABLE AT NO CHARGE UPON REQUEST.

This Safety Alert symbol means **ATTENTION! BECOME ALERT YOUR SAFETY IS INVOLVED!**



The Safety Alert symbol identifies important safety messages on the Wil-Rich Quad X Field Cultivator and in this manual. When you see this symbol, be alert to the possibility of personal injury or death. Follow the instructions in the safety message.

Why is SAFETY important to you?

## 3 Big Reasons

**Accidents Disable and Kill**  
**Accidents Cost**  
**Accidents Can Be Avoided**

### SIGNAL WORDS:

Note the use of the signal words **DANGER**, **WARNING** and **CAUTION** with the safety messages. The appropriate signal word for each message has been selected using the following guidelines:

### DANGER

An immediate and specific hazard which **WILL** result in severe personal injury or death if the proper precautions are not taken.

### WARNING

A specific hazard or unsafe practice which **COULD** result in severe personal injury or death if the proper precautions are not taken

### CAUTION

Unsafe practices which **COULD** result in personal injury if proper practices are not taken, or as a reminder of good safety practices.

ADDRESS INQUIRIES TO: WIL-RICH PO BOX 1030  
WAHPETON, ND 58074  
PH (701) 642-2621 FAX (701) 642-3372

## Orientation

Any reference to left (L) or right (R) sides or components is to be understood as being viewed from behind the implement and looking forward.

## Serial Number Break

Every implement has a serial number located on the frame. These serial numbers are consecutively assigned to the implements as they are manufactured. To aid in part ordering, we reference to the serial number at the point the change occurred to provide an accurate means of determining the proper parts.

## Modifications

It is the policy of WIL-RICH Operations to improve its products whenever possible and practical to do so. We reserve the right to make changes, improvements, and modifications at any time without incurring the obligation to make such changes, improvements and modifications on any equipment sold previously.

## Abbreviations

ASSY .....	Assembly
ADP .....	Adaptor
BLD .....	Blade
BLT .....	Bolt
BRKT .....	Bracket
CTR .....	Center
CP .....	Cup Point
Dia .....	Diameter
ELB .....	Elbow
FC .....	Feild Cultivator
(FF) .....	Female Female
FJ .....	Female JIC
FJX .....	Female JIC Swivel
GR .....	Grade of Bolt
HD .....	Heavy Duty
HDWE .....	Hardware
HYD .....	Hydraulic
LH .....	Left Hand
(MF) .....	Male Female
MJ .....	Male JIC
MF .....	Main Frame
MTG .....	Mounting
MORB .....	Male O-ring Boss
MPT .....	Male Pipe Thread
NC .....	National Course Thread
NF .....	National Fine Thread
NPT .....	National Pipe Thread
REF .....	Reference
RH .....	Right Hand
SEC .....	Section
SS .....	Screw Stop
SST .....	Stainless Steel
TA .....	Tandem
TBP .....	Top Bypass
W/ .....	With
W/O .....	Without

GENERAL INFORMATION .....	2, 3,4 & 5
---------------------------	------------

## ASSEMBLY

XL <sup>2</sup> 11', 13' & 16' MAIN FRAME .....	6
QX <sup>2</sup> 13' & 16' MAIN FRAME .....	7
XL <sup>2</sup> 11', 13' & 16' HITCH ASSEMBLY .....	8
XL <sup>2</sup> HITCH ASSEMBLY CONTINUED .....	9
QX <sup>2</sup> 13' & 16' HITCH ASSEMBLY .....	10
XL <sup>2</sup> 7', 9'4" & 11'8" WING .....	11
XL <sup>2</sup> 5-SECTION INNER WING .....	12
QX <sup>2</sup> 7', 9'4" & 11'8" WING .....	13
QX <sup>2</sup> 5-SECTION INNER WING .....	14
QX <sup>2</sup> XL <sup>2</sup> 7' & 9'4" OUTER WING .....	15
QX <sup>2</sup> XL <sup>2</sup> 5-SECTION OUTER WING HINGE .....	16
3' OUTER WING .....	17
5' FLOATING OUTER WING W/GAUGE WHEEL .....	18
6' FLOATING OUTER WING W/GAUGE WHEEL .....	19
3-SECTION INNER WING LIFT COMPONENTS .....	20
5-SECTION INNER WING LIFT COMPONENTS .....	21
5-SECTION INNER WING LIFT COMPONENTS .....	22
SERIAL # 458830 & UP .....	22
PARALLEL LINK GAUGE WHEEL .....	23
QX <sup>2</sup> PARALLEL LINK GAUGE WHEEL (MAIN) .....	24
QX <sup>2</sup> PARALLEL LINK GAUGE WHEEL (WING) ..	25-26
OUTER WING HYDRAULIC GAUGE WHEEL .....	26-27
QX <sup>2</sup> & XL <sup>2</sup> MAIN AXLE & WKG TANDEM .....	28
1-3/4", 2" & 2-1/2" HUB & SPINDLE .....	29
GAUGE WHEEL HUB & SPINDLE .....	30
11' XL <sup>2</sup> WING REST .....	31
SHOVELS .....	32
DEPTH GAUGE .....	33

## LIFT HYDRAULICS

SINGLE POINT DEPTH CONTROL .....	34
SEQUENCE VALVE .....	35
HOSE CLAMP .....	36
STANDARD-CHECK VALVE W/O SINGLE POINT ...	37
5-SEC XL <sup>2</sup> 13' MF W/9'4" IW & 7' OW .....	38-39
5-SEC XL <sup>2</sup> 13' MF w/11'8" IW7' & 9'4" OW .....	40-41
5-SEC XL <sup>2</sup> 16' MF w/11'8" IW7' & 9'4" OW .....	42-43
5-SEC QX <sup>2</sup> 13' MF w/9'4" IW & 7' OW .....	44-45
5-SEC QX <sup>2</sup> 13' MF w/11'8" IW7' & 9'4" OW .....	46-47
5-SEC QX <sup>2</sup> 16' MF w/11'8" IW7' & 9'4" OW .....	48-49

## WING FOLD HYDRAULICS

5-SEC XL <sup>2</sup> 13' MF w/9'4" IW & 7' OW .....	50-51
5-SEC XL <sup>2</sup> 13' MF w/11'8" IW7' & 9'4" OW .....	52-53
5-SEC XL <sup>2</sup> 16' MF w/11'8" IW7' & 9'4" OW .....	54-55
5-SEC QX <sup>2</sup> 13' MF w/9'4" IW & 7' OW .....	56-57
5-SEC QX <sup>2</sup> 13' MF w/11'8" IW7' & 9'4" OW .....	58-59
5-SEC QX <sup>2</sup> 16' MF w/11'8" IW7' & 9'4" OW .....	60-61

## LIFT HYDRAULICS

QX <sup>2</sup> 13' MF w/7' WING .....	62
QX <sup>2</sup> 13' MF w/9'4" & 11'8" WING .....	63
QX <sup>2</sup> 16' MF w/11'8" WING .....	64

# CONTENTS

## WING FOLD HYDRAULICS

QX <sup>2</sup> 13'MF w/7' WING .....	65
QX <sup>2</sup> 13'MF w/9'4" & 11'8" WINGS .....	66
QX <sup>2</sup> 13'MF w/9'4" IW & 3' & 5' OW .....	67
QX <sup>2</sup> 13'MF w/9'4" IW & 3',5' & 6' OW .....	68
QX <sup>2</sup> 16'MF w/11'8" WING .....	69
QX <sup>2</sup> 16'MF w/11'8" IW & 3',5' & 6' OW .....	70

## LIFT HYDRAULICS

XL <sup>2</sup> 11'MF w/4' WING .....	71
XL <sup>2</sup> 11'MF w/7' WING .....	72
XL <sup>2</sup> 11'MF w/9'4" WING .....	73
XL <sup>2</sup> 13'MF w/9'4" & 11'8" WING .....	74
XL <sup>2</sup> 16'MF w/11'8" WING .....	75

## WING FOLD HYDRAULICS

XL <sup>2</sup> 11'MF w/4' WING .....	76
XL <sup>2</sup> 11'MF w/7' WING .....	77
XL <sup>2</sup> 11'MF w/9'4" WING .....	78
XL <sup>2</sup> 11'MF w/9'4" IW & 3' & 5' OW .....	79
XL <sup>2</sup> 13'MF w/9'4" & 11'8" WING .....	80
XL <sup>2</sup> 13'MF w/9'4" IW & 3',5' & 6' OW .....	81
XL <sup>2</sup> 13'MF w/11'8" IW & 3',5' & 6' OW .....	82
XL <sup>2</sup> 16'MF w/11'8" WING .....	83
XL <sup>2</sup> 16'MF w/11'8" IW & 3',5' & 6' OW .....	84

## XL<sup>2</sup> LIFT HYDRAULICS (SERIAL # 459350 & UP)

11' XL <sup>2</sup> 25' .....	85
11' XL <sup>2</sup> 30' .....	86
13' XL <sup>2</sup> 32' .....	87
13' XL <sup>2</sup> 37' .....	88

## XL<sup>2</sup> WING FOLD HYDRAULICS (SN # 459350 & UP)

11' XL <sup>2</sup> 30' .....	89
11' XL <sup>2</sup> 30' W/OUTER WINGS .....	90
13' XL <sup>2</sup> 32' & 37' .....	91
13' XL <sup>2</sup> 32' & 37' W/OUTER WING .....	92

## LIFT HYDRAULICS QX<sup>2</sup> (SERIAL # 459350 & UP)

QX <sup>2</sup> 27' .....	93
QX <sup>2</sup> 32' .....	94
QX <sup>2</sup> 37' .....	95

## QX<sup>2</sup> WING FOLD HYDRAULICS (SN #45935 & UP)

13' QX <sup>2</sup> 32' & 37' .....	96
13' QX <sup>2</sup> 32' & 37' W/OUTER WINGS .....	97
BLANK PAGE FOR NOTES .....	98
VALVE MOUNT (SERIAL # 459350 & UP) .....	99

# CONTENTS

## QX<sup>2</sup> LIFT HYDRAULICS (SN: 459350 & UP)

QX <sup>2</sup> 46' .....	100-101
QX <sup>2</sup> 50' .....	102-103
QX <sup>2</sup> 55' .....	104-105

## QX WING FOLD HYDRAULICS (SN: 459350 & UP)

QX <sup>2</sup> 46' .....	106-107
QX <sup>2</sup> 50' & 55' .....	108-109

## XL<sup>2</sup> LIFT HYDRAULICS (SN: 459350 & UP)

XL <sup>2</sup> 46' .....	110-111
XL <sup>2</sup> 50' .....	112-113
XL <sup>2</sup> 55' .....	114-115

## XL<sup>2</sup> WING FOLD HYDRAULICS (SN: 459350 & UP)

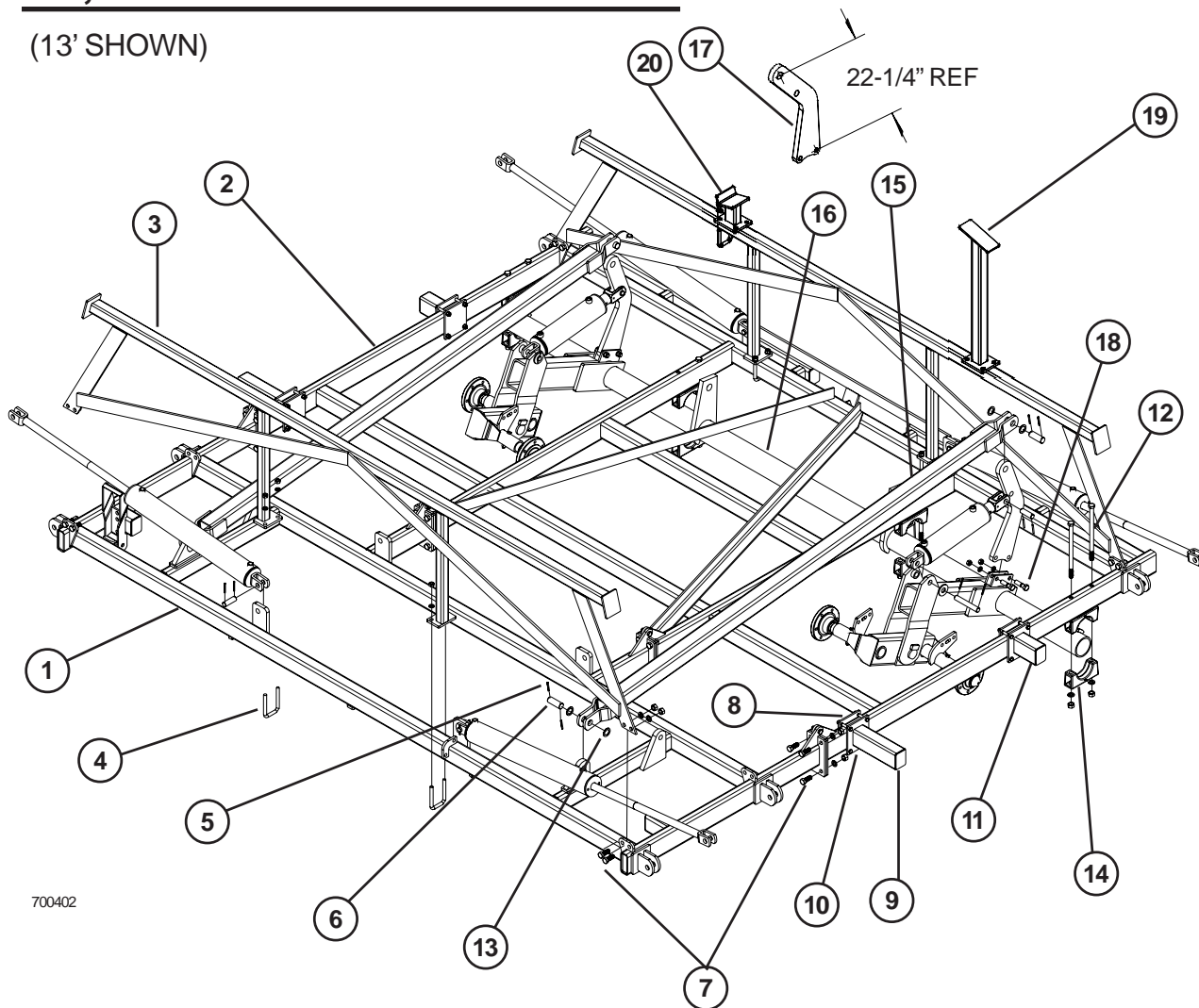
XL <sup>22</sup> 46' .....	116-117
XL <sup>2</sup> 50' & 55' .....	118-119

## SHANKS

TWIN SPRING SHANK ASSEMBLY .....	120
SINGLE SPRING SHANK ASSEMBLY .....	121
REAR HITCH & BRACE ARMS .....	122
MUD SCRAPERS .....	123
GAUGE WHEEL SCRAPER .....	124
LIGHTS .....	125
TIRE ASSEMBLIES, RIMS, TIRE, & VALVE STEMS ..	126
DECALS .....	127
BLANK PAGE FOR NOTES .....	128

# 11', 13' & 16' XL<sup>2</sup> MAIN FRAME

(13' SHOWN)



700402

ITEM	PART NO	DESCRIPTION
1	241881	11' FRONT FRAME BAR
	240811	13' FRONT FRAME BAR
	241877	16' FRONT FRAME BAR
2	241879	11' FRONT FRAME BAR
	240810	13' MAIN FRAME
	241876	16' MAIN FRAME
3	240818	13' WING REST
	241878	16' WING REST
4	88503	BLT-U 5/8-11NCX3X5-1/4 Z
5	42484	SPIROL PIN 1/4"x2-1/4"
6	68034	PIN (1-1/4"x3-3/8")
7	88290	3/4"NCx2" GR8 BOLT
8	65688	3/8" BOLT PLATE 5-1/2"x4-3/4"
9	68020	12-1/2" SHANK STUB
10	88507	1/2"NCx3-1/2" GR5 BOLT
11	68021	6-1/2" SHANK STUB
12	89165	3/4"NCx13" GR5 BOLT
13	88440	1-1/4"x1-7/8"x 14 GA BUSHING
14	34132	AXLE CLAMP ASSEMBLY

ITEM	PART NO	DESCRIPTION
15	67707	MF AXLE SUPPORT ARM
16	221396	11' MAIN AXLE ASSY
	221465	13' MAIN AXLE ASSY
	221325	16' MAIN AXLE ASSY
17	221262	MAST ANCHOR FOR 12.56 CYL
18	88841	3/4"NC x 2-3/4" GR5 BOLT
19	221578	WING REST (5-SEC ONLY) (7' OUTER WING)
20	221381	WING REST (5SEC ONLY) (9'4" OUTER WING)

### Standard Nuts and Lock Washers

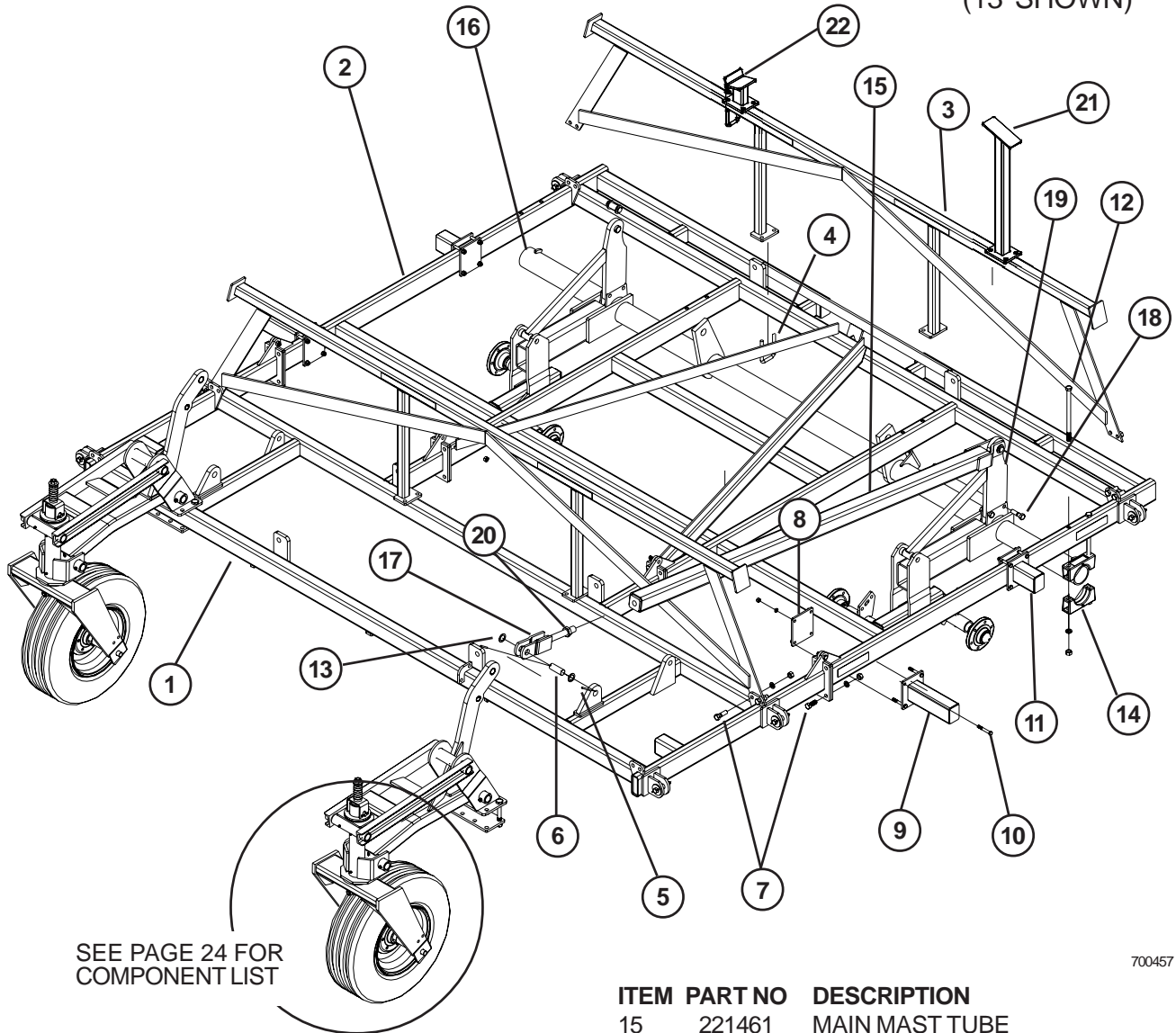
88172	1/4NC Nut	88262	1/4 Lock Washer
88103	3/8NC Nut	88362	3/8 Lock Washer
88104	1/2NC Nut	88303	1/2 Lock Washer
88126	5/8NC Nut	88129	5/8 Lock Washer
88110	3/4NC Nut	88130	3/4 Lock Washer
88371	7/8NC Nut	88341	7/8 Lock Washer

**Note: Standard nuts and lock washers are not called out. Anything other than standard will be called out.**



# 13' & 16' QX<sup>2</sup> MAIN FRAME

(13' SHOWN)



SEE PAGE 24 FOR  
COMPONENT LIST

700457

ITEM	PART NO	DESCRIPTION
1	240811	13' FRONT FRAME BAR
	241877	16' FRONT FRAME BAR
2	240810	13' MAIN FRAME
	241876	16' MAIN FRAME
3	240818	13' WING REST
	241878	16' WING REST
4	88503	BLT-U 5/8-11NCX3X5-1/4 Z
5	42484	SPIROL LOCK PIN
6	68034	PIN (1-1/4"x3-3/8")
7	88290	3/4"NCx2" GR8 BOLT
8	65688	3/8" BOLT PLATE 5-1/2"x4-3/4"
9	68020	12-1/2" SHANK STUB
10	88507	1/2"NCx3-1/2" GR5 BOLT
11	68021	6-1/2" SHANK STUB
12	89165	3/4"NCx13" GR5 BOLT
13	88440	1-1/4"x1-7/8"x 14 GA BUSHING
14	34132	AXLE CLAMP ASSEMBLY

ITEM	PART NO	DESCRIPTION
15	221461	MAIN MAST TUBE
16	221465	13' MAIN AXLE ASSY
	221325	16' MAIN AXLE ASSY
17	54800	CLEVIS ADJUST ROD
18	88841	3/4"NC x 2-3/4" GR5 BOLT
19	220769	AXLE ANCHOR (QUADX)
20	88622	1-1/4"NC JAM NUT
21	221578	WING REST (5-SEC ONLY) (7' OUTER WING)
22	221381	WING REST (5SEC ONLY) (9'4" OUTER WING)

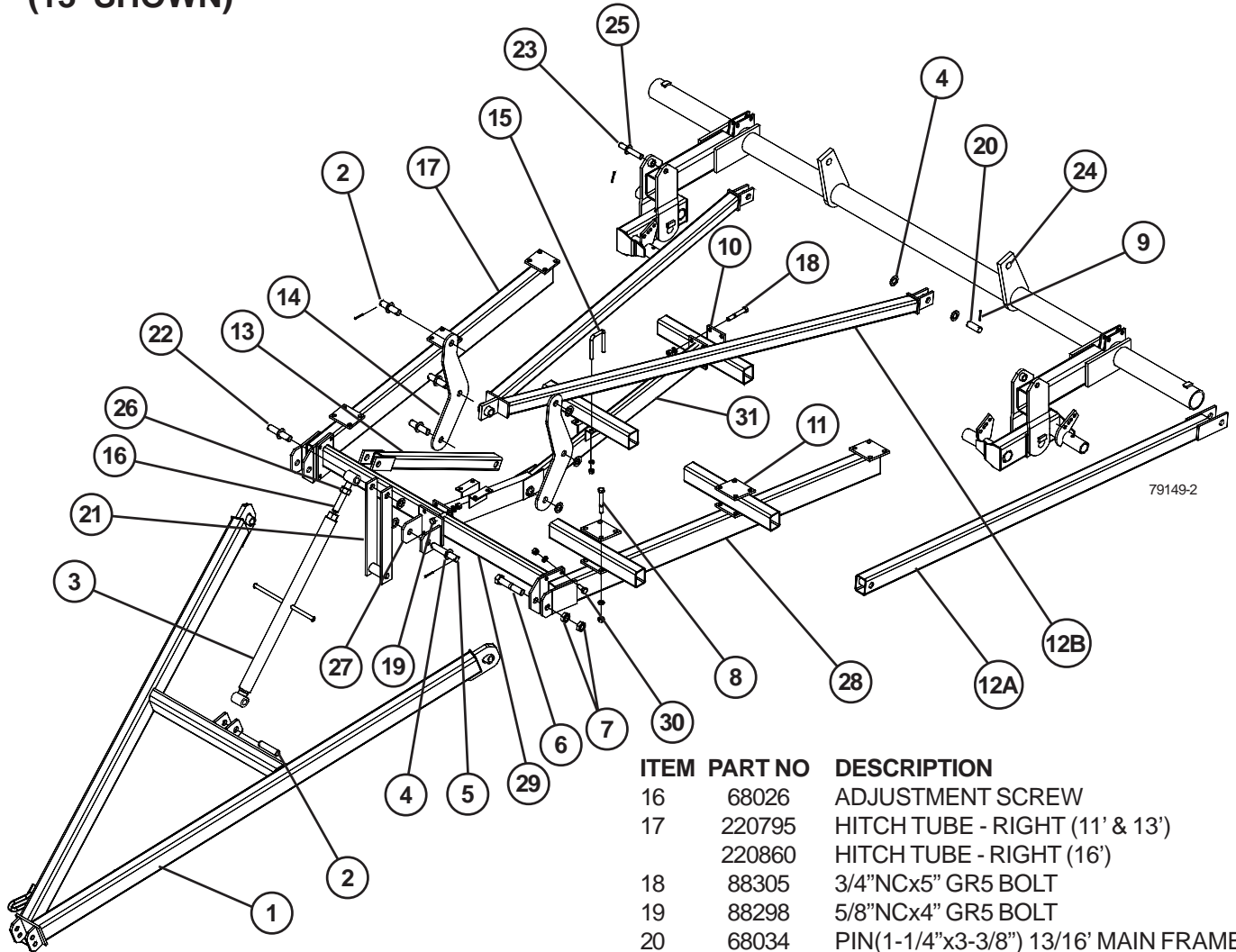
## Standard Nuts and Lock Washers

88172	1/4NC Nut	88262	1/4 Lock Washer
88103	3/8NC Nut	88362	3/8 Lock Washer
88104	1/2NC Nut	88303	1/2 Lock Washer
88126	5/8NC Nut	88129	5/8 Lock Washer
88110	3/4NC Nut	88130	3/4 Lock Washer
88371	7/8NC Nut	88341	7/8 Lock Washer

**Note: Standard nuts and lock washers are not called out. Anything other than standard will be called out.**

# XL<sup>2</sup> 11', 13' & 16' HITCH ASSEMBLY

(13' SHOWN)



ITEM	PART NO	DESCRIPTION
1	68086	11' XL <sup>2</sup> MAIN FRAME HITCH
	233672	13' XL <sup>2</sup> MAIN FRAME HITCH
	221161	16' XL <sup>2</sup> MAIN FRAME HITCH
2	68031	PIN (1-1/4"ODx5-1/8")
3	68036	ADJUSTER ASSEMBLY
4	88440	MACHINERY BUSHING 1-1/4"x1-7/8"x14 GA
5	68032	PIN (1-1/4"ODx7-1/4")
6	88349	1-1/4"NCx6-1/2" GR5 BOLT
7	88622	1-1/4"NC JAM NUT
8	88293	3/4"NCx6" GR5 BOLT
9	42484	SPIROL PIN 1/4"x2-1/4"
10	68354	4 HOLE BOLT PLATE(3.5"x4.75")
11	68040	4 HOLE DIAMOND PLATE 65°
	68083	4 HOLE DIAMOND PLATE 81°
12A	68084	11 XL <sup>2</sup> CENTER LIFT TUBE BRACKET
12B	67743	13 XL <sup>2</sup> CENTER LIFT TUBE BRACKET
	68071	16 XL <sup>2</sup> CENTER LIFT TUBE BRACKET
13	67906	LINKAGE
14	67933	PLATE
15	88503	5/8"NCx3"x5-1/4" U-BOLT

ITEM	PART NO	DESCRIPTION
16	68026	ADJUSTMENT SCREW
17	220795	HITCH TUBE - RIGHT (11' & 13')
	220860	HITCH TUBE - RIGHT (16')
18	88305	3/4"NCx5" GR5 BOLT
19	88298	5/8"NCx4" GR5 BOLT
20	68034	PIN(1-1/4"x3-3/8") 13/16' MAIN FRAME
	68031	PIN(1-1/4"x5-1/8") 11FT MAIN FRAME
21	67937	CENTER HITCH BRACKET
22	68030	PIN (1-1/4"x6-1/8")
23	68033	PIN (1x6-3/8")
24	33535	SPRING TENSION BUSHING(1-1/4")
25	88196	1" FLAT WASHER
26	88622	1-1/4"NC JAM NUT
27	221062	CENTER HITCH BRACKET
28	220796	HITCH TUBE - LEFT(11' & 13')
	220859	HITCH TUBE - LEFT (16')
29	220791	HITCH TUBE (11')
	220792	HITCH TUBE (13')
	220858	HITCH TUBE (16')
30	88294	5/8"NCx2" GR5 BOLT
31	220785	CENTER FRAME HITCH ATTACH

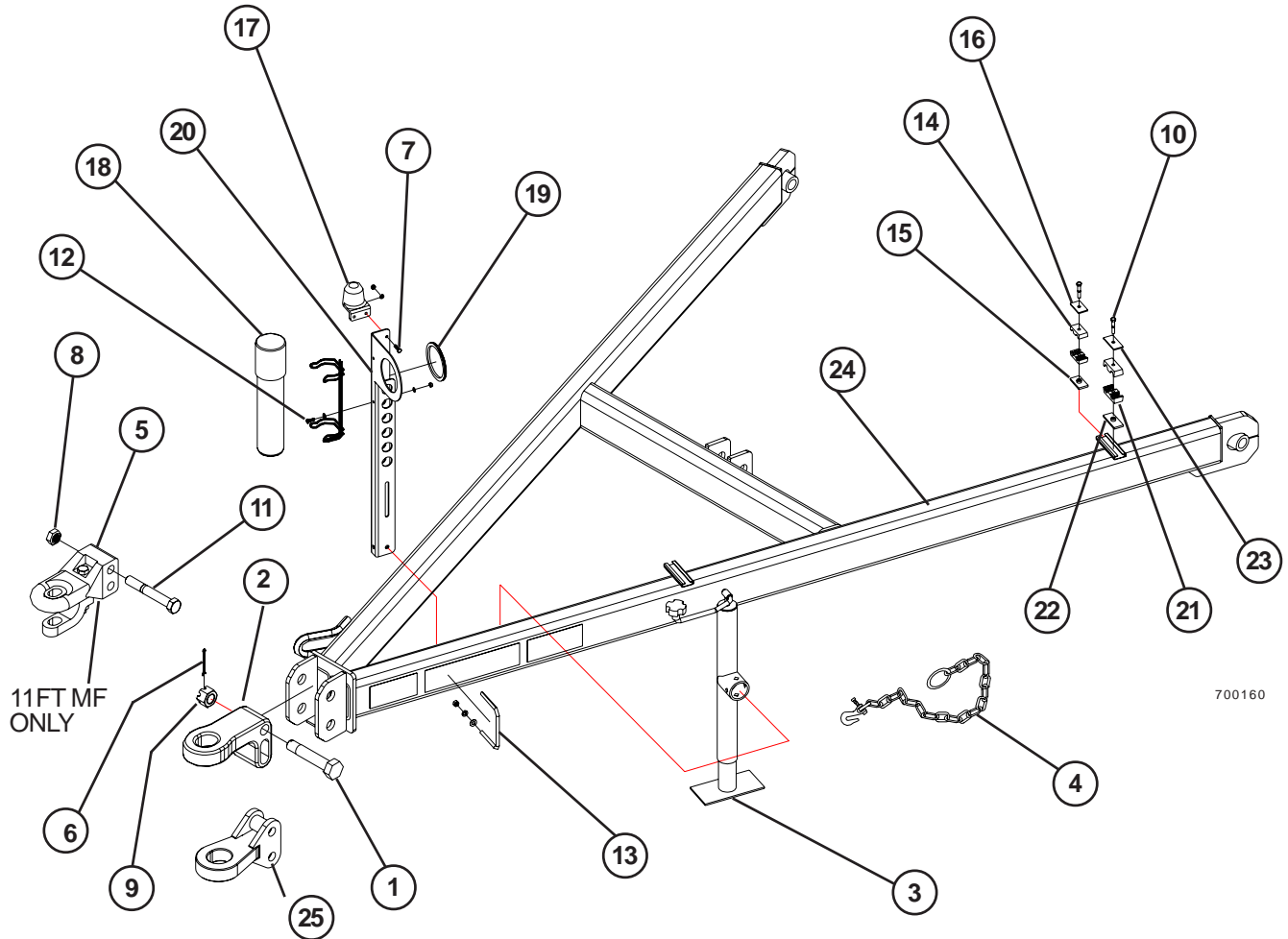
### Standard Nuts and Lock Washers

88172	1/4NC Nut	88262	1/4 Lock Washer
88103	3/8NC Nut	88362	3/8 Lock Washer
88104	1/2NC Nut	88303	1/2 Lock Washer
88126	5/8NC Nut	88129	5/8 Lock Washer
88110	3/4NC Nut	88130	3/4 Lock Washer
88371	7/8NC Nut	88341	7/8 Lock Washer

**Note: Standard nuts and lock washers are not called out. Anything other than standard will be called out.**



# XL<sup>2</sup> HITCH ASSEMBLY CONTINUED



ITEM	PART NO	DESCRIPTION
1	11638	1-1/4"NCX6-1/2" HITCH BOLT
2	18236	CAST DUAL HITCH
3	24415	JACK
4	24459	SAFETY CHAIN
5	68057	PERFECT HITCH
	68055	PERFECT HITCH-BASE
	68056	PERFECT HITCH-CLEVIS
6	88133	3/16"X2" COTTER PIN
7	88203	1/4"NC X 1" HEX BOLT
8	88348	1"NC CENTER LOCK NUT
9	88350	1-1/4"NC SLOTTED NUT
10	88480	5/16"NC X 1-3/4" HEX BOLT
11	88687	1"NC X 7" GR8 HEX BOLT
12	88993	1/4"NC X 3/4" HEX BOLT
13	89069	3/8"NC X 4" X 5" U-BOLT
14	220645	CUSHION CLAMP 3/8"
15	221443	BASE PLATE 3/8"
16	221445	COVER PLATE 3/8"
17	223329	PLUG HOLDER
18	234313	STORAGE TUBE-MANUAL
19	236092	RUBBER EDGE
20	236142	HYDRAULIC HOSE BRACKET

ITEM	PART NO	DESCRIPTION
21	238400	CUSHION CLAMP 1/2"
22	238401	BASE PLATE 1/2"
23	238402	COVER PLATE 1/2"
24	68086	11' XL2 HITCH
	233672	13' XL2 HITCH
25	246795	CAT 5 HITCH

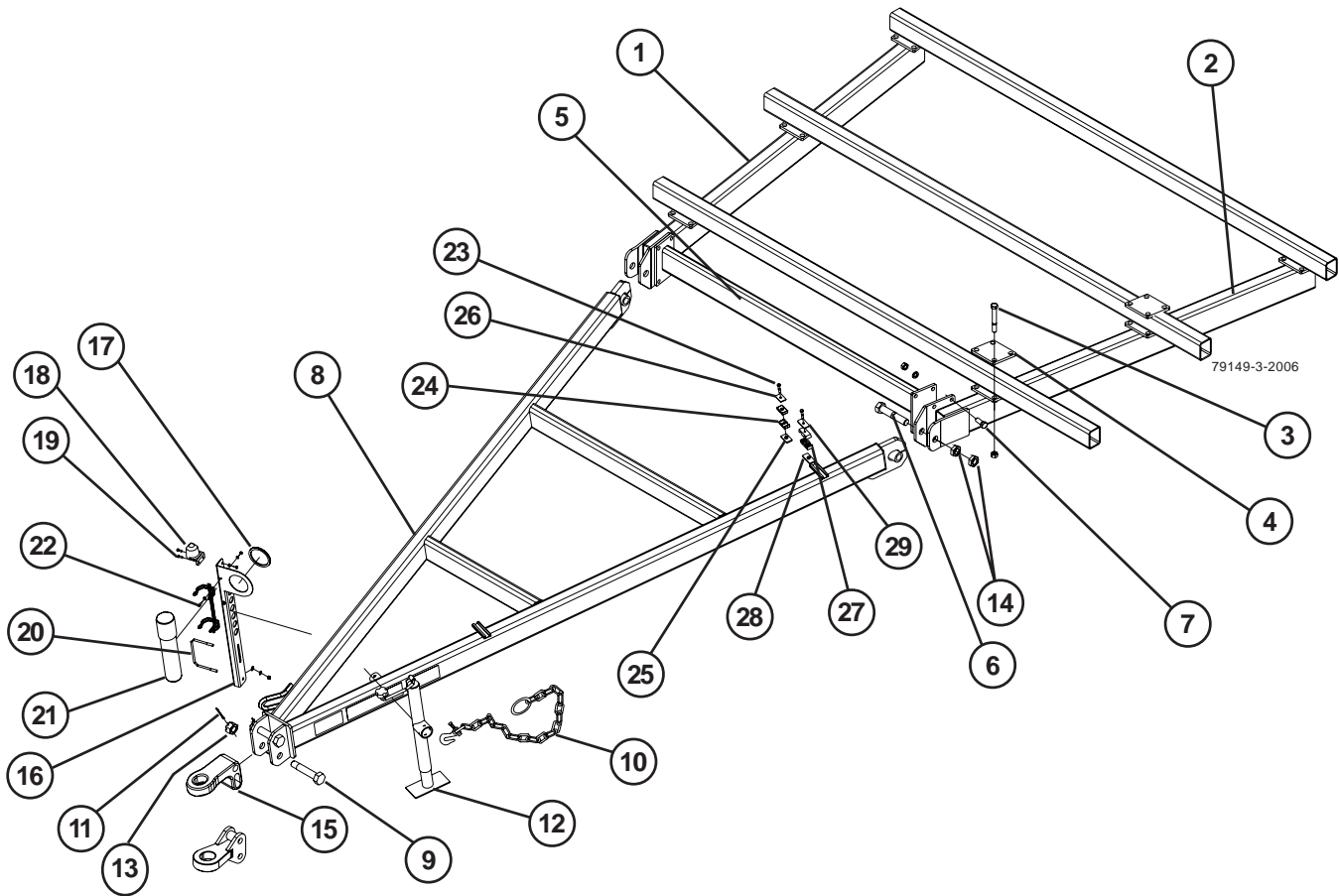
## Standard Nuts and Lock Washers

88172	1/4NC Nut	88262	1/4 Lock Washer
88103	3/8NC Nut	88362	3/8 Lock Washer
88104	1/2NC Nut	88303	1/2 Lock Washer
88126	5/8NC Nut	88129	5/8 Lock Washer
88110	3/4NC Nut	88130	3/4 Lock Washer
88371	7/8NC Nut	88341	7/8 Lock Washer

**Note: Standard nuts and lock washers are not called out. Anything other than standard will be called out.**

# QX<sup>2</sup> 13' & 16' HITCH ASSEMBLY

(13' SHOWN)



ITEM	PART NO	DESCRIPTION
1	220860	RIGHT HITCH TUBE (16')
	220795	RIGHT HITCH TUBE (13')
2	220796	LEFT HITCH TUBE (13')
	220859	LEFT HITCH TUBE (16')
3	88293	3/4"NCx6" GR5 BOLT
4	68083	PLATE (16')
	68040	PLATE (13')
5	220858	16' HITCH TUBE
	220792	13' HITCH TUBE
6	88349	1-1/4"NCx6-1/2" GR5 BOLT
7	88294	5/8"NCx2" GR5 BOLT
8	233670	13' QX HITCH
	233671	16' QX HITCH
9	11638	1-1/4"NCx6-1/2" HITCH BOLT
10	24459	SAFETY CHAIN
11	88133	3/16"X2" COTTER PIN
12	24415	JACK
13	88350	1-1/4"NC SLOTTED NUT
14	88622	1-1/4"NC JAM NUT
15	18236	CAST DUAL HITCH
16	236142	HYDRAULIC HOSE BRACKET

ITEM	PART NO	DESCRIPTION
17	236092	RUBBER EDGE
18	223329	PLUG HOLDER
19	88203	1/4"NC X 1" HEX BOLT
20	89069	3/8"NC X 4" X 5" U-BOLT
21	234313	STORAGE TUBE-MANUAL
22	88993	1/4"NC X 3/4" HEX BOLT
23	88480	5/16"NC X 1-3/4" HEX BOLT
24	220645	CUSHION CLAMP 3/8"
25	221443	BASE PLATE 3/8"
26	221445	COVER PLATE 3/8"
27	238400	CUSHION CLAMP 1/2"
28	238401	BASE PLATE 1/2"
29	238402	COVER PLATE 1/2"

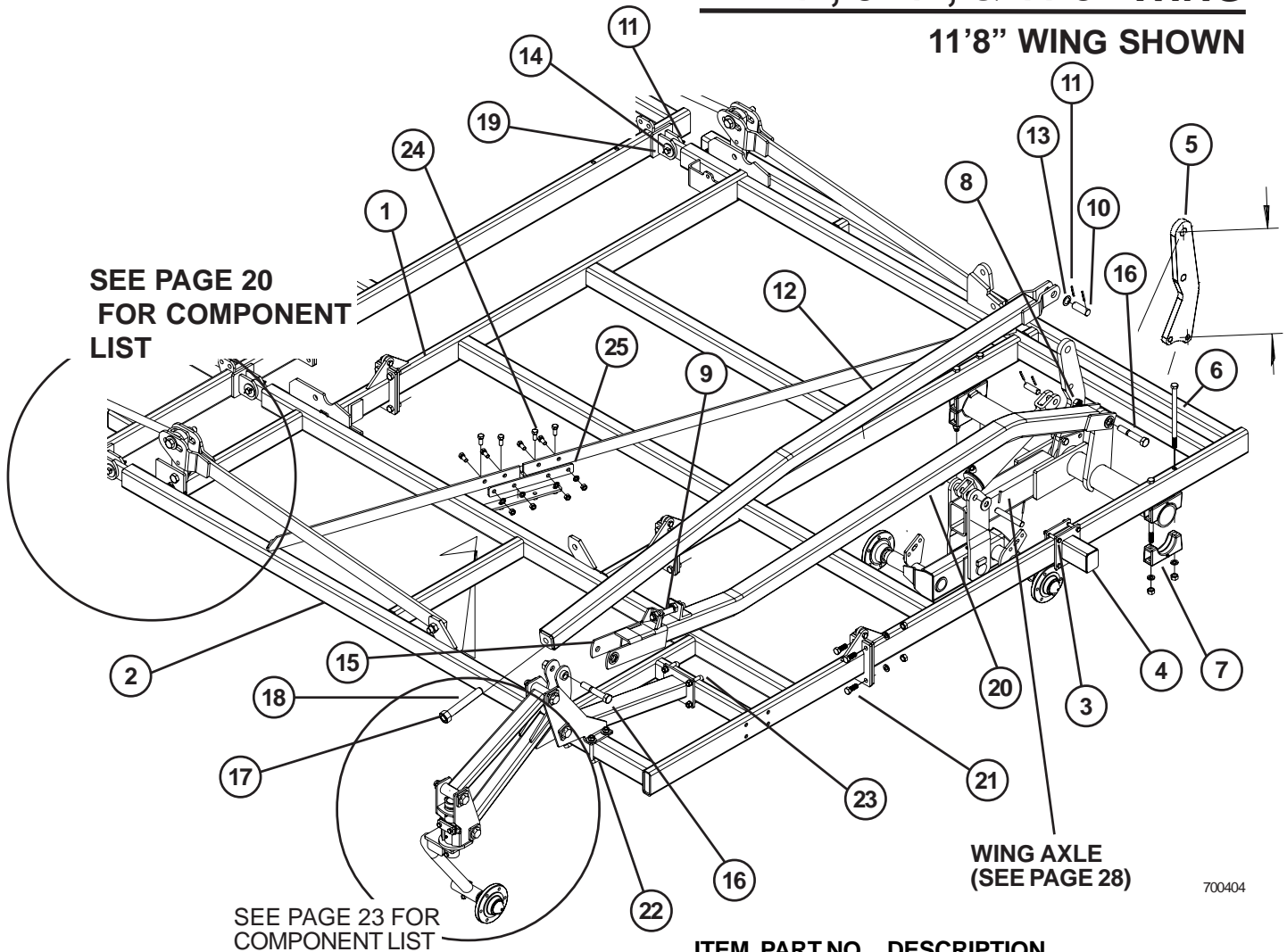
### Standard Nuts and Lock Washers

88172	1/4NC Nut	88262	1/4 Lock Washer
88103	3/8NC Nut	88362	3/8 Lock Washer
88104	1/2NC Nut	88303	1/2 Lock Washer
88126	5/8NC Nut	88129	5/8 Lock Washer
88110	3/4NC Nut	88130	3/4 Lock Washer
88371	7/8NC Nut	88341	7/8 Lock Washer

**Note: Standard nuts and lock washers are not called out. Anything other than standard will be called out.**

# XL<sup>2</sup> 7', 9' 4", & 11'8" WING

11'8" WING SHOWN



700404

ITEM	PART NO	DESCRIPTION
1	241856	7' WING RIGHT
	241857	7' WING LEFT
	241864	9'4" WING RIGHT
	241865	9'4" WING LEFT
	240814	11'8" WING RIGHT
2	240815	11'8" WING LEFT (SHOWN)
	241861	7' WING FRONT RIGHT
	241862	7' WING FRONT LEFT
	241866	9'4" WING FRONT RIGHT
	241867	9'4" WING FRONT LEFT
3	240816	11'8" WING RIGHT
	240817	11'8" WING LEFT (SHOWN)
	88507	1/2"NCx3-1/2" GR5 BOLT
	68021	6-1/2" SHANK STUB
	221261	10.8 MAST ANCHOR
89165	3/4"NCx13" GR5 BOLT	
34132	AXLE CLAMP ASSY	
89075	1"NC NYLON LOCK NUT	
48890	ADJUSTMENT ROD	
68034	PIN (1-1/4"x3-3/8")	
42484	ROLL PIN 1/4"x2-1/4"	
67709	WING ADJUST ARM	

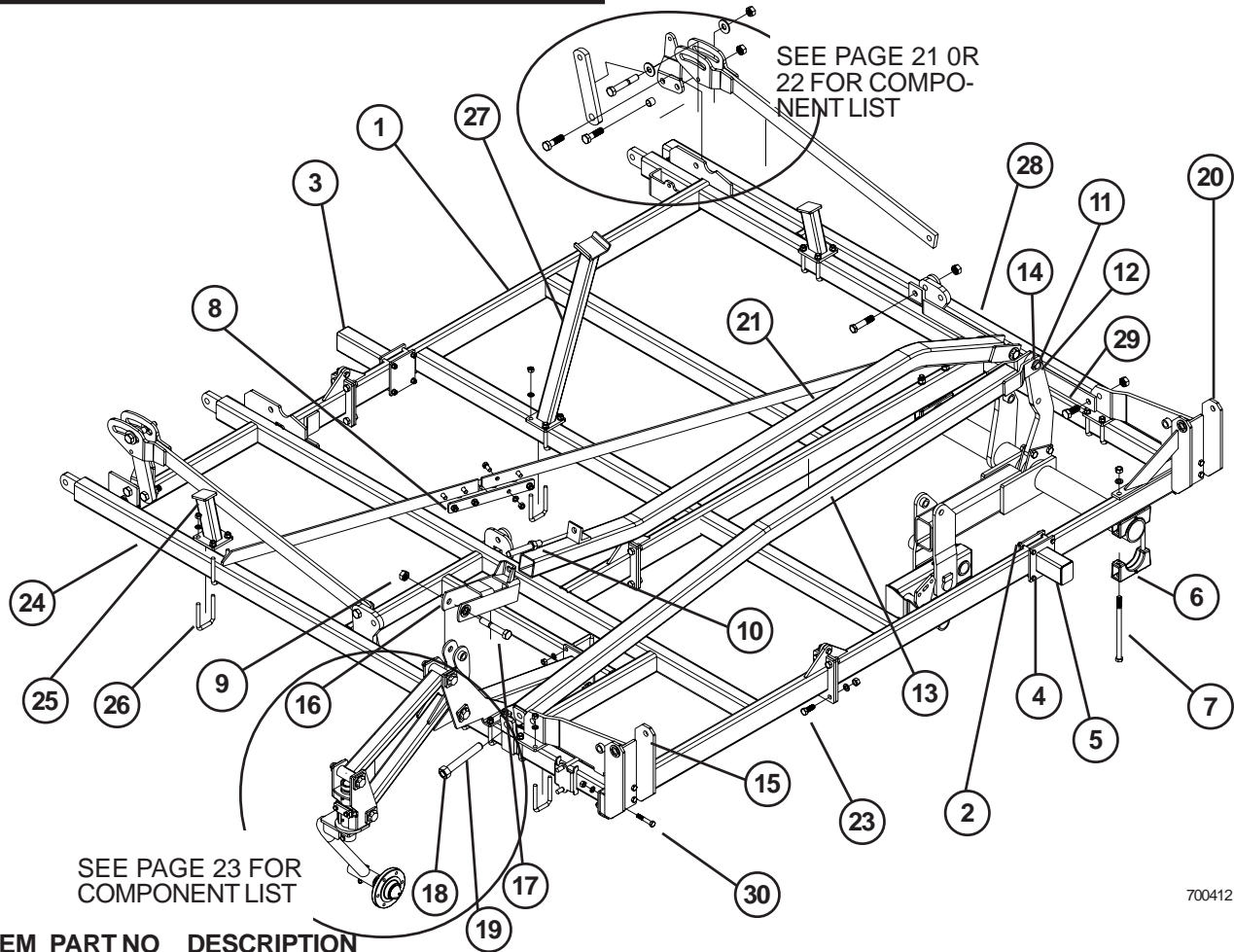
ITEM	PART NO	DESCRIPTION
13	88440	MACHINERY BUSHING (1-1/4"x1-7/8"x14 GA.)
14	221714	PIN 1"x3-7/8"
15	220843	GAUGE TUBE ADJUST BRKT
16	88670	1"NCx5-1/2" GR5 BOLT
17	69799	ADJUSTER ROD (9.5)
18	88622	1-1/4"NC JAM NUT
19	88196	1" FLAT WASHER
20	220776	XL <sup>2</sup> WING TUBE 130"
21	88290	3/4"NCx2" GR8 BOLT
22	88503	5/8"NCx3"x5-1/4" U-BOLT
23	88388	5/8"NCx4"x3-1/4" U-BOLT
24	88577	5/8"NCx1-1/2" GR5 BOLT
25	241810	PLATE ( 2 )

### Standard Nuts and Lock Washers

88172	1/4NC Nut	88262	1/4 Lock Washer
88103	3/8NC Nut	88362	3/8 Lock Washer
88104	1/2NC Nut	88303	1/2 Lock Washer
88126	5/8NC Nut	88129	5/8 Lock Washer
88110	3/4NC Nut	88130	3/4 Lock Washer
88371	7/8NC Nut	88341	7/8 Lock Washer

**Note: Standard nuts and lock washers are not called out. Anything other than standard will be called out.**

# XL<sup>2</sup> 5 SECTION INNER WING



700412

ITEM	PART NO	DESCRIPTION
1	240820	11'8" WING RIGHT
	240821	11'8" WING LEFT (SHOWN)
2	65688	BOLT PLATE
3	68020	12-1/2" SHANK STUB
4	88507	1/2"NCx3-1/2" GR5 BOLT
5	68021	6-1/2" SHANK STUB
6	34132	AXLE CLAMP ASSY
7	89165	3/4"NCx13" GR5 BOLT
8	241810	PLATE
9	89075	1"NC NYLON LOCK NUT
10	48890	ADJUSTMENT ROD
11	68034	PIN (1-1/4"x3-3/8")
12	42484	SPIROL PIN 1/4"x2-1/4"
13	67709	WING ADJUST ARM
14	88440	MACHINERY BUSHING (1-1/4"x1-7/8"x14 GA.)
15	221067	XL <sup>2</sup> 5SEC HINGE ASSY RH FRONT
	221068	XL <sup>2</sup> 5SEC HINGE ASSY LH FRONT
16	220843	GAUGE TUBE ADJUST BRACKET
17	88264	1"NCx6" GR5 BOLT
18	69799	ADJUSTER ROD (9.5)
19	88622	1-1/4"NC JAM NUT
20	221498	XL <sup>2</sup> 5SEC HINGE ASSY RH REAR
	221499	XL <sup>2</sup> 5SEC HINGE ASSY LH REAR
21	220776	XL <sup>2</sup> WING TUBE 130"

ITEM	PART NO	DESCRIPTION
23	88290	3/4"NCx2" GR8 BOLT
24	240822	5SEC FRONT WING BAR - RH
	240823	5SEC FRONT WING BAR - LH
25	221358	(4.53") WING FOLD STUB
26	88503	5/8"NCx3"x5-1/4" U-BOLT
27	221356	XL <sup>2</sup> 5SEC OUTER WING REST
28	221693	ANCHOR STRAP
29	88293	1"NC X 2-1/2" GR5 BOLT
30	88292	5/8"NC X 3-1/2" GR5 BOLT

### Standard Nuts and Lock Washers

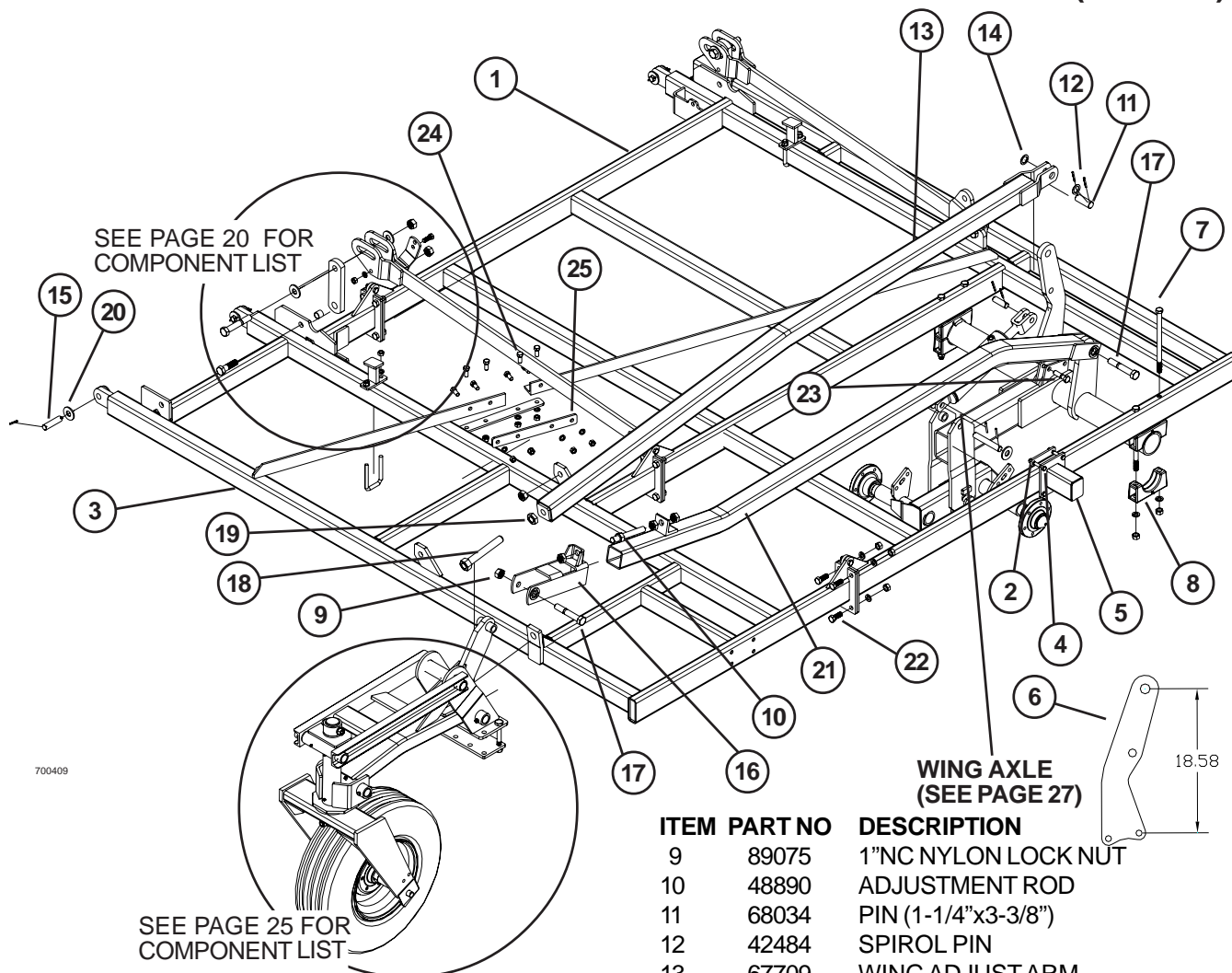
88172	1/4NC Nut	88262	1/4 Lock Washer
88103	3/8NC Nut	88362	3/8 Lock Washer
88104	1/2NC Nut	88303	1/2 Lock Washer
88126	5/8NC Nut	88129	5/8 Lock Washer
88110	3/4NC Nut	88130	3/4 Lock Washer
88371	7/8NC Nut	88341	7/8 Lock Washer

**Note: Standard nuts and lock washers are not called out. Anything other than standard will be called out.**



# QX<sup>2</sup> 7', 9' 4" & 11'8" WING

## 11'8" LEFT WING (SHOWN)



SEE PAGE 20 FOR COMPONENT LIST

SEE PAGE 25 FOR COMPONENT LIST

700409

ITEM	PART NO	DESCRIPTION	
1	241856	7' WING RIGHT	
	241857	7' WING LEFT	
	241864	9'4" WING RIGHT	
	241865	9'4" WING LEFT	
	240814	11'8" WING RIGHT	
	240815	11'8" WING LEFT (SHOWN)	
	2	65688	3/8" BOLT PLATE (5-1/2"X4-3/4")
3		241861	7' WING RIGHT
		241862	7' WING LEFT
241866		9'4" WING RIGHT	
241867		9'4" WING LEFT	
240816		11'8" WING RIGHT	
240817		11'8" WING LEFT (SHOWN)	
4	88507	1/2"NCx3-1/2" GR5 BOLT	
5	68021	6-1/2" SHANK STUB	
6	221261	MAST ANCHOR FOR 108 CYL	
7	89165	3/4"NCx13" GR5 BOLT	
8	34132	AXLE CLAMP ASSY	

ITEM	PART NO	DESCRIPTION
9	89075	1"NC NYLON LOCK NUT
10	48890	ADJUSTMENT ROD
11	68034	PIN (1-1/4"x3-3/8")
12	42484	SPIROL PIN
13	67709	WING ADJUST ARM
14	88440	MACHINERY BUSHING (1-1/4"x1-7/8"x14 GA.)
15	221714	PIN 1"x3-7/8"
16	220843	GAUGE TUBE ADJUST BRACKET
17	88264	1"NCx6" GR5 BOLT
18	69799	ADJUSTER ROD (9.5)
19	88622	1-1/4"NC JAM NUT
20	88196	1" FLAT WASHER
21	221504	QUADX WING TUBE 121"
22	88290	3/4"NCx2" GR8 BOLT
23	88841	3/4"NC x 2-3/4" GR5 BOLT
24	88577	5/8"NCx1-1/2" GR5 BOLT
25	241810	PLATE

### Standard Nuts and Lock Washers

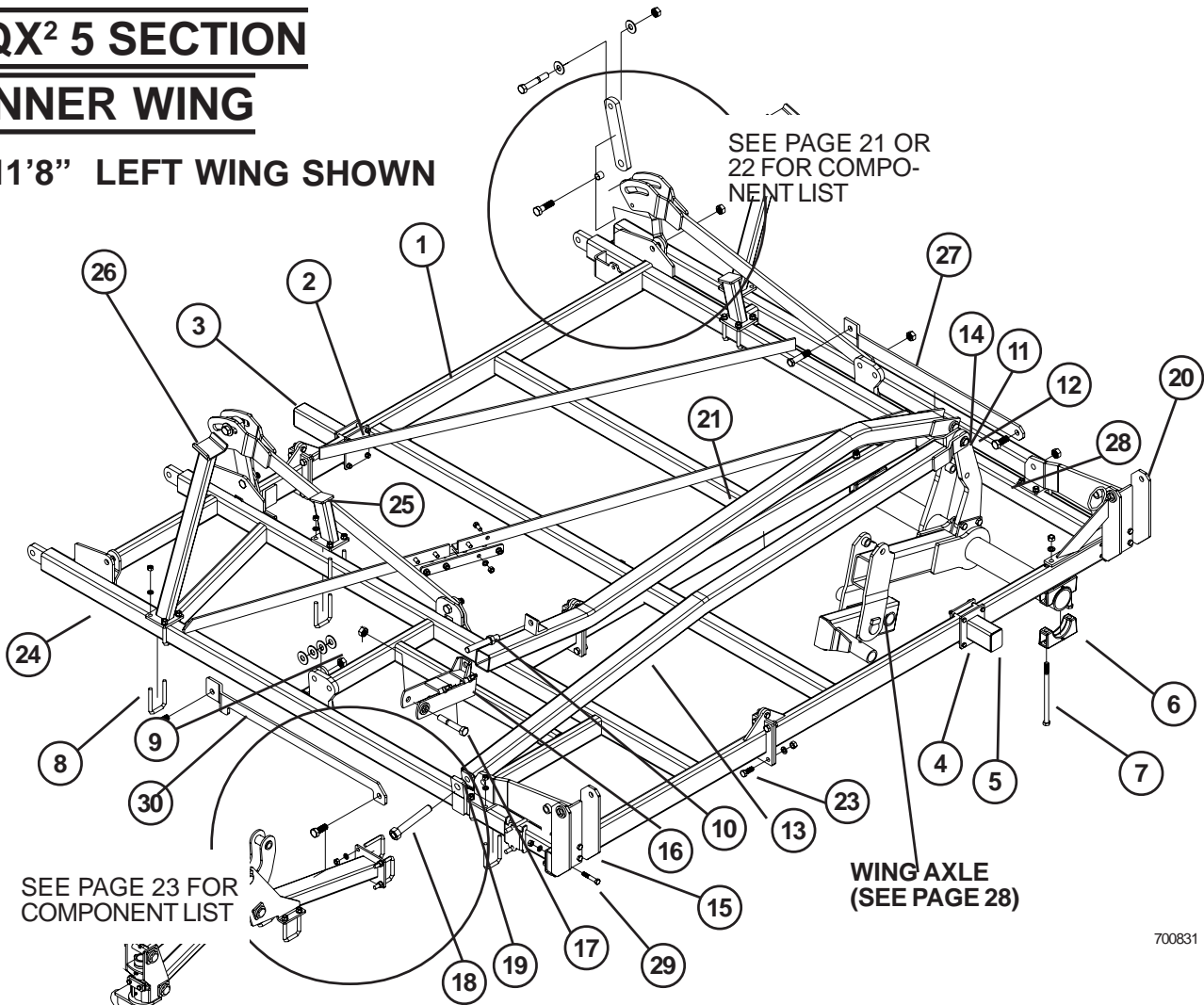
88172	1/4NC Nut	88262	1/4 Lock Washer
88103	3/8NC Nut	88362	3/8 Lock Washer
88104	1/2NC Nut	88303	1/2 Lock Washer
88126	5/8NC Nut	88129	5/8 Lock Washer
88110	3/4NC Nut	88130	3/4 Lock Washer
88371	7/8NC Nut	88341	7/8 Lock Washer

**Note: Standard nuts and lock washers are not called out. Anything other than standard will be called out.**



# QX<sup>2</sup> 5 SECTION INNER WING

11'8" LEFT WING SHOWN



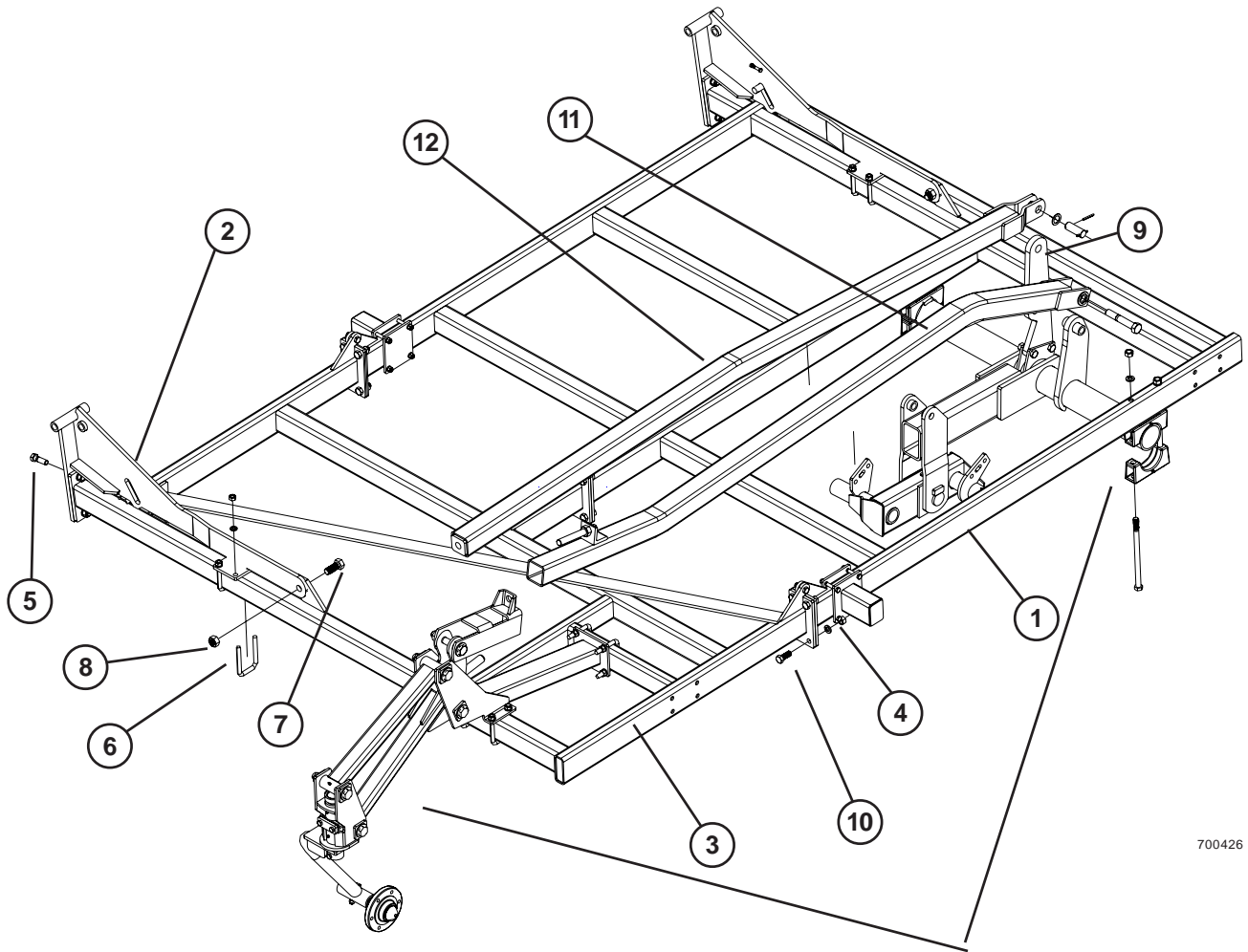
700831

ITEM	PART NO	DESCRIPTION	ITEM	PART NO	DESCRIPTION	
			18	69799	ADJUSTER ROD (9.5)	
1	240820	11'8" WING RIGHT	19	88622	1-1/4"NC JAM NUT	
	240821	11'8" WING LEFT (SHOWN)	20	221498	5SEC HINGE ASSY RH REAR	
2	65688	BOLT PLATE		221499	5SEC HINGE ASSY LH REAR	
3	68020	12-1/2" SHANK STUB	21	220776	5-SEC WING TUBE 130"	
4	88507	1/2"NCx3-1/2" GR5 BOLT	22	88125	1"NC NUT	
5	68021	6-1/2" SHANK STUB	23	88290	3/4"NCx2" GR8 BOLT	
6	34132	AXLE CLAMP ASSY	24	240822	5SEC 11'8" FRONT WING BAR -RH	
7	89165	3/4"NCx13" GR5 BOLT		240823	5SEC 11'8" FRONT WING BAR - LH	
8	88503	5/8"NCx3"x5-1/4" U-BOLT	25	221358	5 SEC INNER WING STOP	
9	89075	1"NC NYLON LOCK NUT	26	221356	5SEC OUTER WING REST	
10	48890	ADJUSTMENT ROD	27	221693	ANCHOR STRAP	
11	68034	PIN (1-1/4"x3-3/8")	28	88293	1"NC X 2-1/2" GR5 BOLT	
12	42484	SPIROL PIN	29	88292	5/8"NC X 3-1/2" GR5 BOLT	
13	67709	WING ADJUST ARM	30	350605	ANCHOR STRAP LH (SHOWN)	
14	88440	MACHINERY BUSHING (1-1/4"x1-7/8"x14 GA.)		350611	ANCHOR STRAP RH	
15	221067	5SEC HINGE ASSY RH FRONT	<b>Standard Nuts and Lock Washers</b>			
	221068	5SEC HINGE ASSY LH FRONT	88172	1/4NC Nut	88262	1/4 Lock Washer
16	220843	GAUGE TUBE ADJUST BRACKET	88103	3/8NC Nut	88362	3/8 Lock Washer
17	88264	1"NCx6" GR5 BOLT	88104	1/2NC Nut	88303	1/2 Lock Washer
			88126	5/8NC Nut	88129	5/8 Lock Washer
			88110	3/4NC Nut	88130	3/4 Lock Washer
			88371	7/8NC Nut	88341	7/8 Lock Washer

**Note: Standard nuts and lock washers are not called out. Anything other than standard will be called out.**

# QX<sup>2</sup>/XL<sup>2</sup> 7' OR 9'4" OUTER WING

(RIGHT 9'4" SHOWN)



700426

ITEM	PART NO	DESCRIPTION
1	241888	7' WING RIGHT
	241889	7' WING LEFT
	241891	9'4" WING RIGHT
	241892	9'4" WING LEFT (SHOWN)
2	222848	5SEC XL/QX OUTER HINGE - L
	222849	5SEC XL/QX OUTER HINGE - R
3	241898	7' WING FRONT RIGHT
	241899	7' WING FRONT LEFT
	241894	9'4' WING FRONT RIGHT
	241895	9'4" WING FRONT LEFT (SHOWN)
4	88507	1/2"NCx3-1/2" GR5 BOLT
5	88404	3/4"NCx2-1/2" GR5 BOLT
6	88503	5/8"NCx3"x5-1/4" U-BOLT
7	88393	1"NCx2-1/2" GR5 BOLT
8	89075	1"NC NYLON LOCK NUT
9	221260	9.3" MAST ANCHOR
10	88290	3/4" NCx2" GR8 BOLT
11	220776	5-SEC WING TUBE 130"
12	67709	WING ADJUST ARM

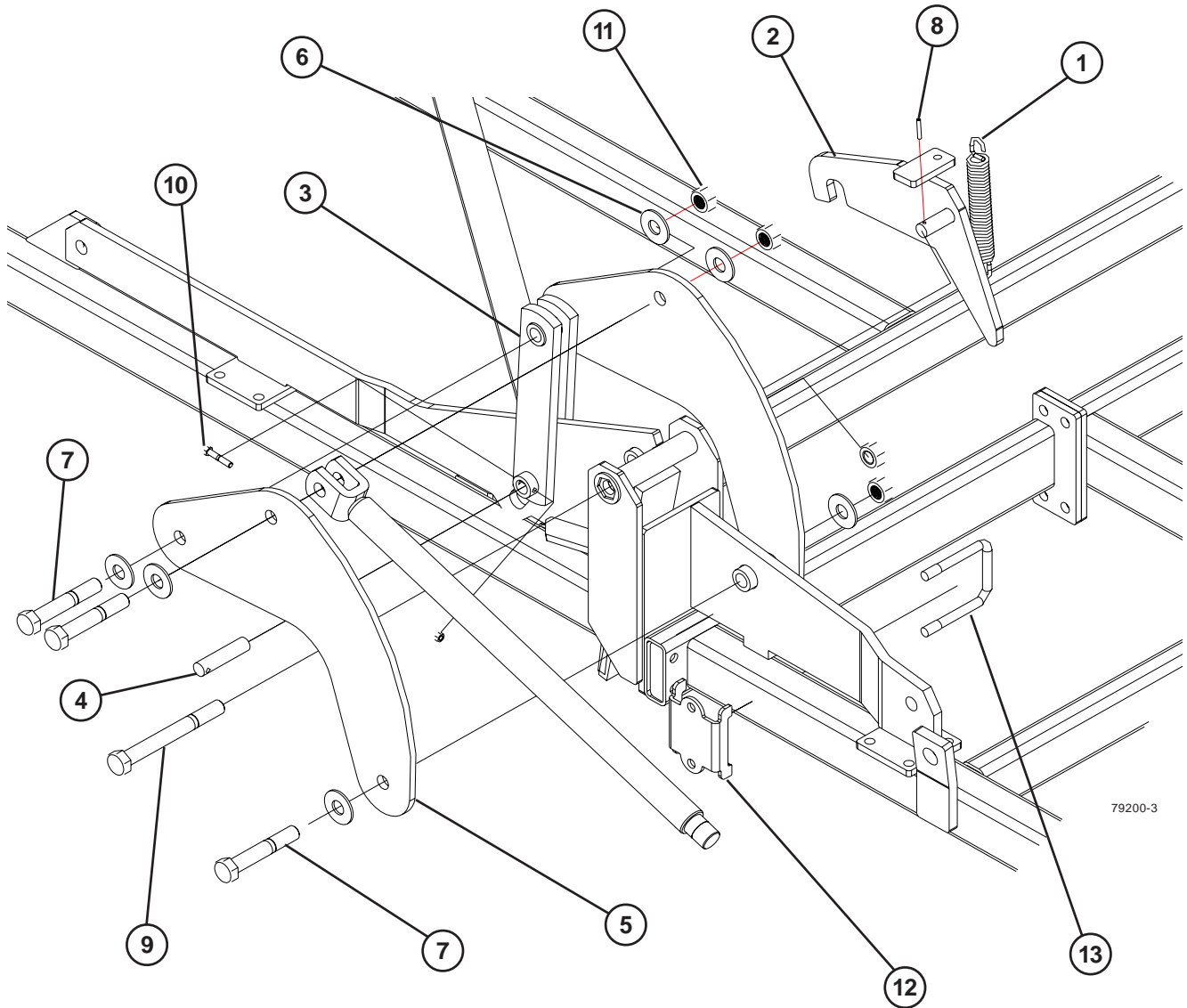
**GAUGEWHEEL & AXLE COMPONENTS ARE SAME AS 5 SECTION 11'8" WING, PAGE 14**

**Standard Nuts and Lock Washers**

88172	1/4NC Nut	88262	1/4 Lock Washer
88103	3/8NC Nut	88362	3/8 Lock Washer
88104	1/2NC Nut	88303	1/2 Lock Washer
88126	5/8NC Nut	88129	5/8 Lock Washer
88110	3/4NC Nut	88130	3/4 Lock Washer
88371	7/8NC Nut	88341	7/8 Lock Washer

**Note: Standard nuts and lock washers are not called out. Anything other than standard will be called out.**

# QX<sup>2</sup>/XL<sup>2</sup> 5 SECTION OUTER WING HINGE



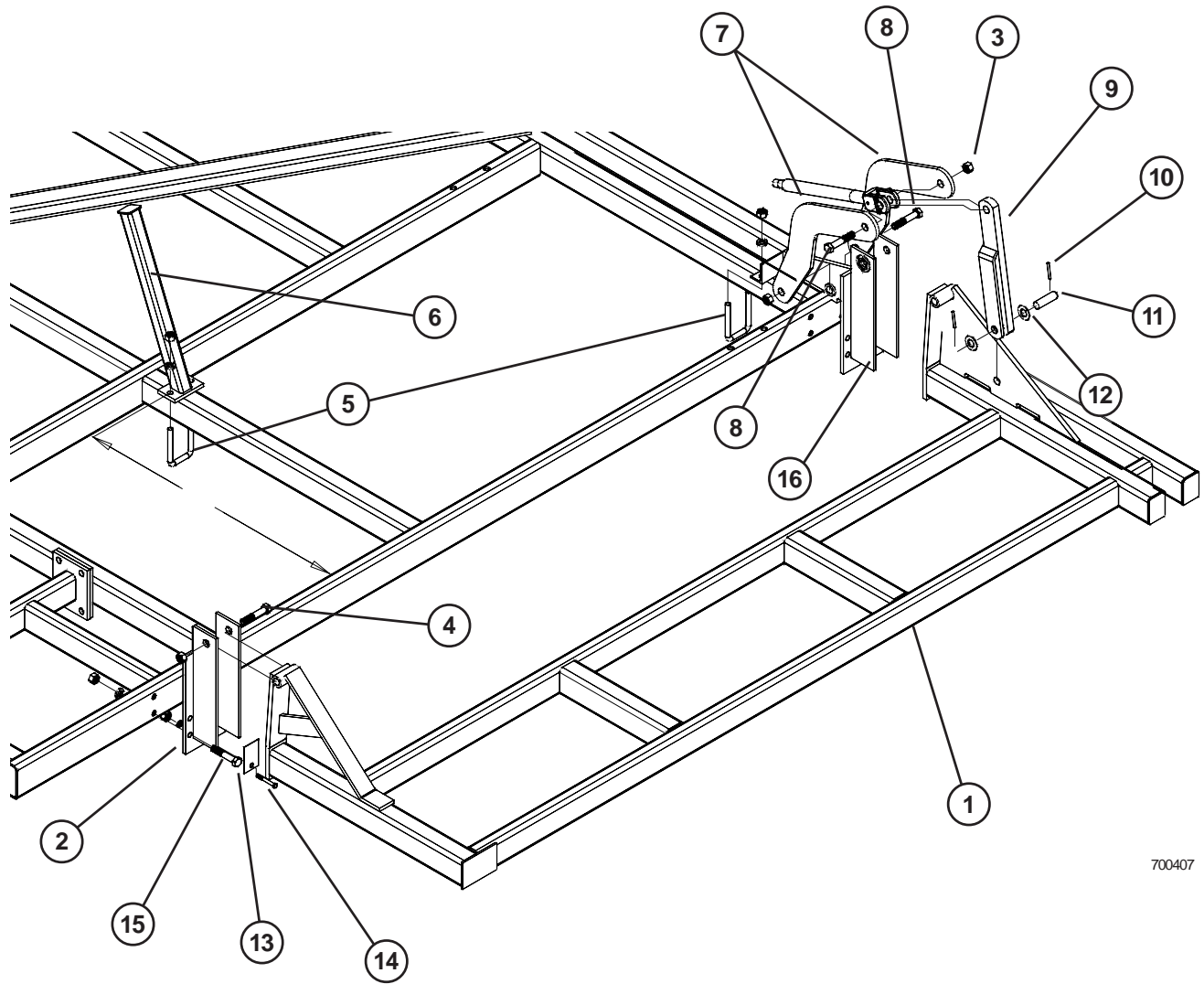
ITEM	PART NO	DESCRIPTION
1	25863	SPRING(1-1/2"x9-1/2")
2	221695	5SEC OUTER WING LATCH - RH (SHOWN)
	221696	5SEC OUTER WING LATCH - LH
3	221189	5SEC OUTER WING LINK
4	221692	PIN (1"ODx4-1/4")
5	221190	WING ARM
6	88196	1" FLAT WASHER
7	88264	1"NCx6" GR5 BOLT
8	42484	1/4"x2-1/4" SPIROL PIN
9	88901	1"NCx9-1/2" GR5 BOLT
10	89011	3/8"NCx2" GR5 BOLT
11	89075	1"NYLON LOCK NUT
12	236400	SHANK SPACER
13	45633	5/8"NCX4"X5-1/2" U-BOLT

## Standard Nuts and Lock Washers

88172	1/4NC Nut	88262	1/4 Lock Washer
88103	3/8NC Nut	88362	3/8 Lock Washer
88104	1/2NC Nut	88303	1/2 Lock Washer
88126	5/8NC Nut	88129	5/8 Lock Washer
88110	3/4NC Nut	88130	3/4 Lock Washer
88371	7/8NC Nut	88341	7/8 Lock Washer

**Note: Standard nuts and lock washers are not called out. Anything other than standard will be called out.**

# 3' OUTER WING



700407

ITEM	PART NO	DESCRIPTION
1	241882	3' OUTER WING - RH
	241883	3' OUTER WING - LH (SHOWN)
2	67932	WING HINGE
3	89075	1"NC NYLON TOPLOCK NUT
4	88264	1"NCx6" GR5 BOLT
5	88503	5/8"NCx3"x5-1/4" U-BOLT
6	68066	OUTER WING REST
7	67934	PLATE
8	88312	1"NCx5" GR5 BOLT
9	67903	LINKAGE ARM

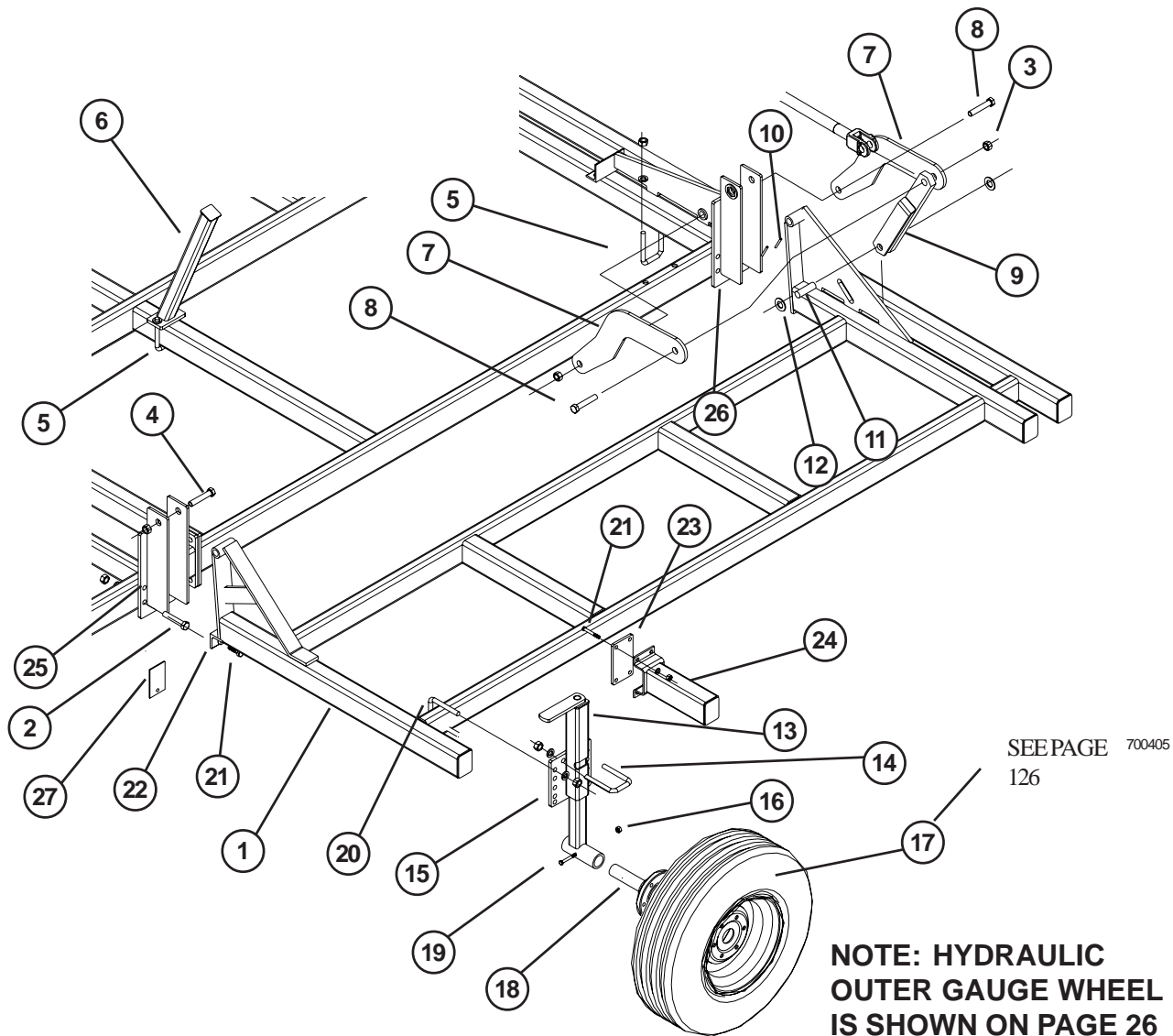
ITEM	PART NO	DESCRIPTION
10	42484	SPIROL PIN (1/4 X 2-1/4)
11	42473	PIN (1"x3-1/4")
12	88196	1" FLAT WASHER
13	51469	SHIM
14	88475	1/2"NCx1-1/2" GR5 BOLT
15	88292	5/8"NCx3-1/2" GR5 BOLT
16	68023	WING HINGE RIGHT
	68024	WING HINGE LEFT (SHOWN)

### Standard Nuts and Lock Washers

88172	1/4NC Nut	88262	1/4 Lock Washer
88103	3/8NC Nut	88362	3/8 Lock Washer
88104	1/2NC Nut	88303	1/2 Lock Washer
88126	5/8NC Nut	88129	5/8 Lock Washer
88110	3/4NC Nut	88130	3/4 Lock Washer
88371	7/8NC Nut	88341	7/8 Lock Washer

**Note: Standard nuts and lock washers are not called out. Anything other than standard will be called out.**

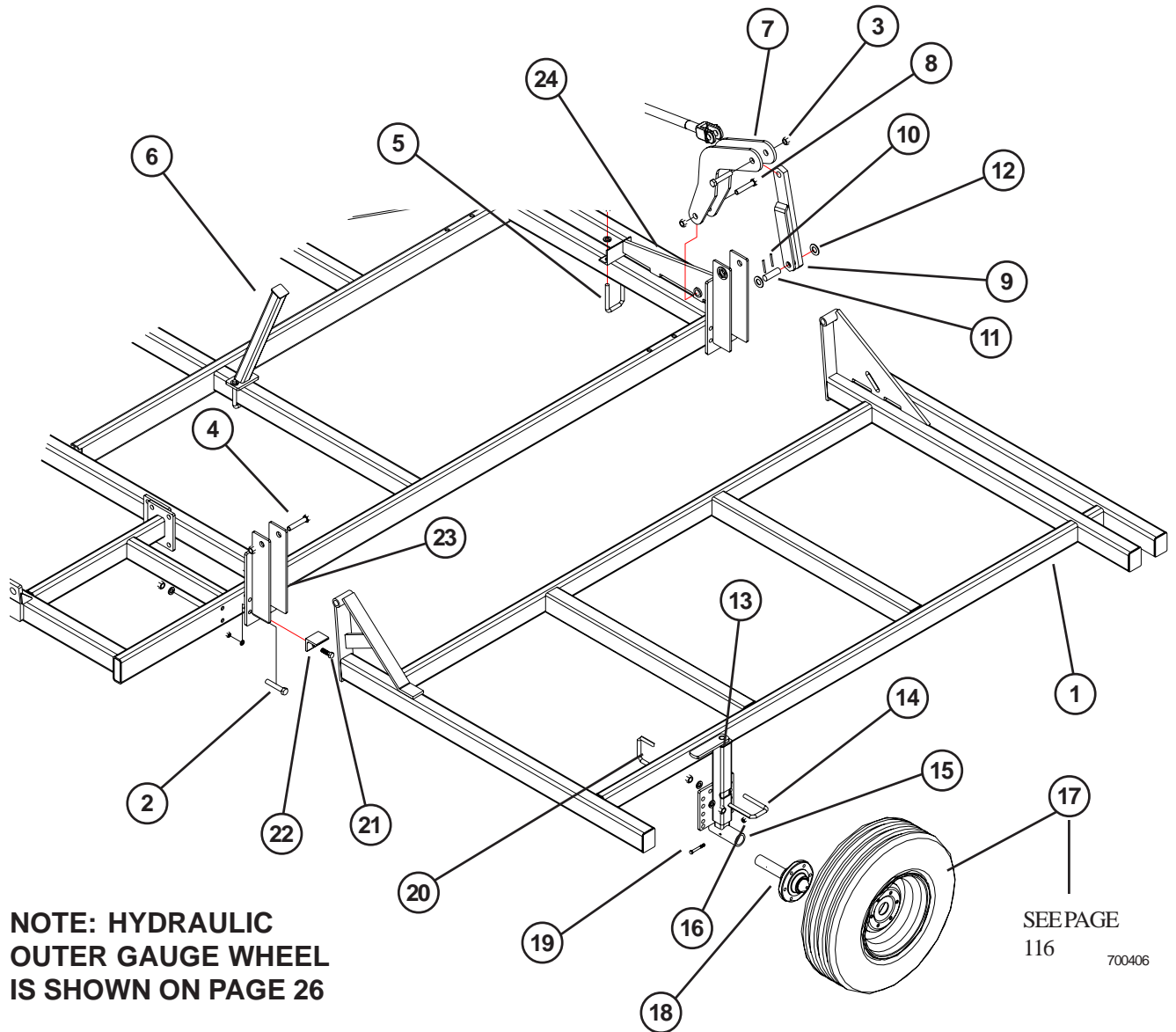
# 5' FLOATING OUTER WING W/GAUGE WHEEL



ITEM	PART NO	DESCRIPTION	ITEM	PART NO	DESCRIPTION
1	241884	5' OUTER WING - RH	17	16290	95Lx15 6 BLT 8PLY WHL ASSY
	241885	5' OUTER WING - LH (SHOWN)		10498	15x8 WHEEL RIM
2	88292	5/8"NCx3-1/2" GR5 BOLT		16287	95Lx15 8PLY TUBELESS TIRE
3	89075	1"NC NYLON TOPLOCK NUT		30784	VALVE STEM
4	88264	1"NCx6" GR5 BOLT	18	41234	6-BOLT HUB & SPINDLE (1-3/4")
5	88503	5/8"NCx3"x5-1/4" U-BOLT	19	88313	1/2"NFx3" GR5 BOLT
6	68066	OUTER WING REST	20	88388	5/8"NCx4"x3-1/4" U-BOLT
7	67934	PLATE	21	88475	1/2"NCx1-1/2" GR5 BOLT
8	88312	1"NCx5" GR5 BOLT	22	222156	WING STOP FOLD
9	67903	LINKAGE ARM	23	26817	BACKING PLATE
10	42484	SPIROL PIN (1/4" X 2-1/4")	24	49025	12" SADDLE STUB
11	42473	PIN (1"x3-1/4")	25	67932	WING HINGE
12	88196	1" FLAT WASHER	26	68023	WING HINGE RIGHT
13	15485	TOP ADJUSTMENT ASSEMBLY		68024	WING HINGE LEFT (SHOWN)
14	88311	5/8"NCx2-1/2"x3-3/4" U-BOLT	27	51469	SHIM
15	15475	GAUGE WHEEL LEG			
16	88304	1/2"NF LOCK NUT			



# 6' FLOATING OUTER WING W/GAUGE WHEEL



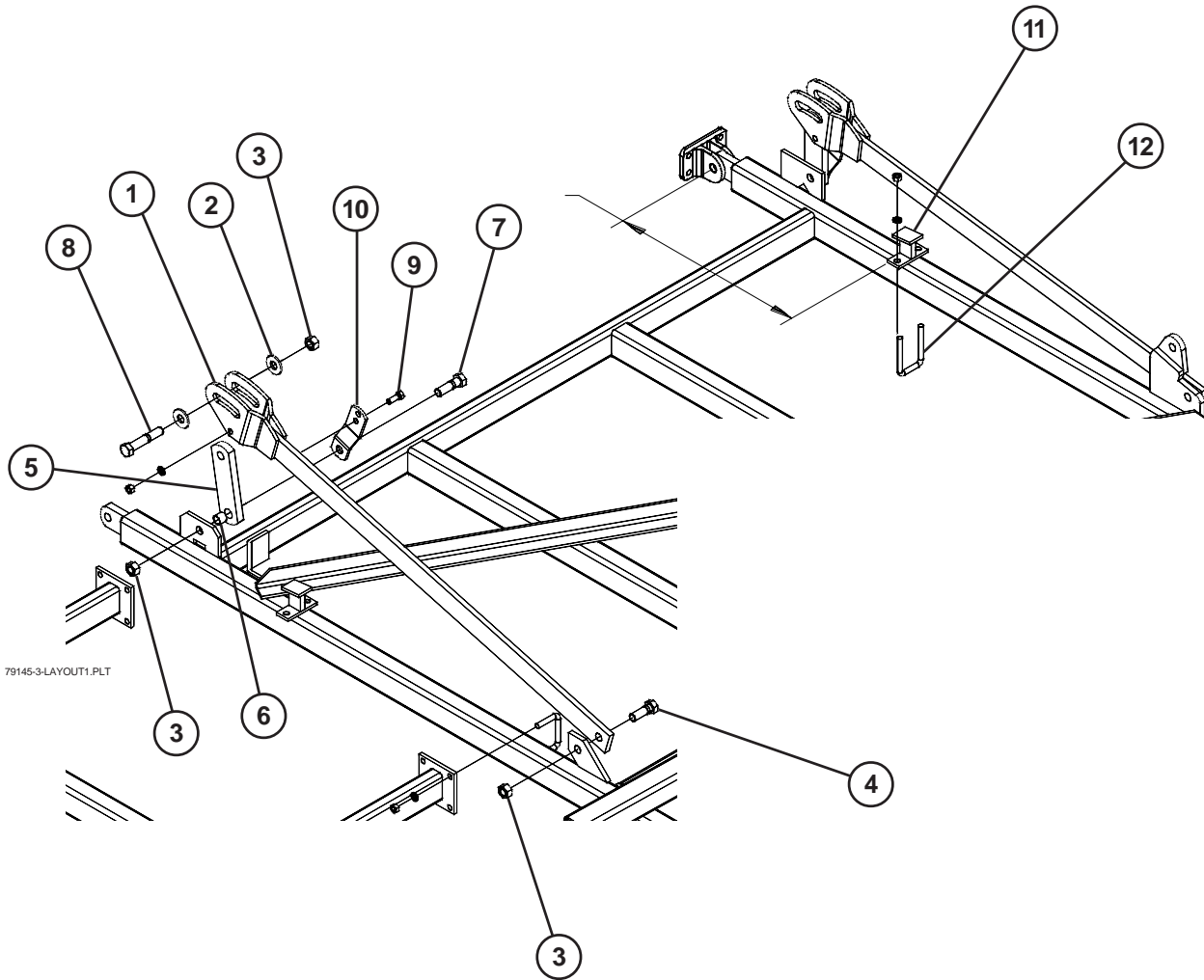
**NOTE: HYDRAULIC  
OUTER GAUGE WHEEL  
IS SHOWN ON PAGE 26**

SEE PAGE  
116  
700406

ITEM	PART NO	DESCRIPTION
1	241887	6' OUTER WING - RH
	241886	6' OUTER WING - LH (SHOWN)
2	88292	5/8"NCx3-1/2" GR5 BOLT
3	89075	1"NC NYLON TOPLOCK NUT
4	88264	1"NCx6" GR5 BOLT
5	88503	5/8"NCx3"x5-1/4" U-BOLT
6	68066	OUTER WING REST
7	67934	PLATE
8	88312	1"NCx5" GR5 BOLT
9	67903	LINKAGE ARM
10	42484	SPIROL PIN (1/4" X 2-1/4")
11	42473	PIN (1"x3-1/4")
12	88196	1" FLAT WASHER
13	15485	TOP ADJUSTMENT ASSEMBLY
14	88311	5/8"NCx2-1/2"x3-3/4" U-BOLT
15	15475	GAUGE WHEEL LEG
16	88304	1/2"NF LOCK NUT

ITEM	PART NO	DESCRIPTION
17	16290	95Lx15 6 BLT 8PLY WHL ASSY
	10498	15x8 WHEEL RIM
	16287	95Lx15 8PLY TUBELESS TIRE
	30784	VALVE STEM
18	41234	6-BOLT HUB & SPINDLE (1-3/4")
19	88313	1/2"NFx3" GR5 BOLT
20	88388	5/8"NCx4"x3-1/4" U-BOLT
21	88475	1/2"NCx1-1/2" GR5 BOLT
22	222156	WING STOP FOLD
23	67932	WING HINGE
24	68023	WING HINGE RIGHT
	68024	WING HINGE LEFT (SHOWN)

# 3-SECTION INNER WING LIFT COMPONENTS



ITEM	PART NO	DESCRIPTION
1	220870	LIFT LINK ARM(7' & 9'4" WING) - SHORT
	222082	LIFT LINK ARM - LONG(11'8" WING)
2	88196	1" FLAT WASHER
3	89075	1"NC NYLON TOPLOCK NUT
4	88393	1"NCx2-1/2" GR5 BOLT
5	48522	WING LIFT LINK 8" C TO C"
	220867	WING LIFT LINK 9.31" C TO C"
6	48523	WING LIFT BUSHING (1.032"ID x 1-1/4" OD x 1.06")
7	88447	1"NCx3-1/2" GR5 BOLT

ITEM	PART NO	DESCRIPTION
8	88264	1"NCx6" GR5 BOLT
9	88838	5/8"NCx1-3/4" GR5 BOLT
10	220871	WING LINK STRAP
	220874	(4.53") WING FOLD STUB
	220875	(3.50") WING FOLD STUB
12	88503	5/8"NCx3"x5-1/4" U-BOLT

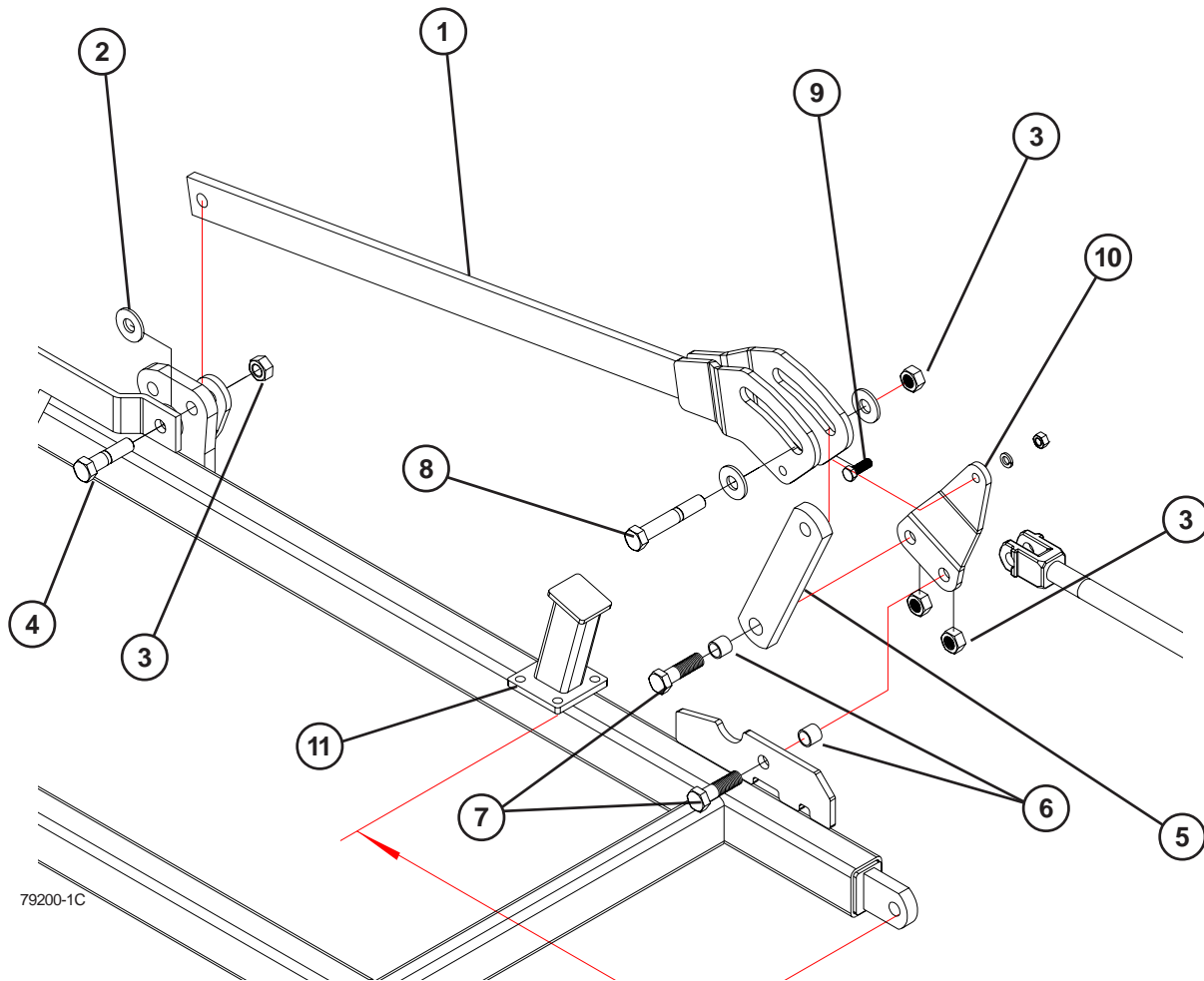
## Standard Nuts and Lock Washers

88172	1/4NC Nut	88262	1/4 Lock Washer
88103	3/8NC Nut	88362	3/8 Lock Washer
88104	1/2NC Nut	88303	1/2 Lock Washer
88126	5/8NC Nut	88129	5/8 Lock Washer
88110	3/4NC Nut	88130	3/4 Lock Washer
88371	7/8NC Nut	88341	7/8 Lock Washer

**Note: Standard nuts and lock washers are not called out. Anything other than standard will be called out.**

# 5-SECTION INNER WING LIFT COMPONENTS

SERIAL #'S UP TO 458829



ITEM	PART NO	DESCRIPTION
1	233370	LIFT LINK ARM (5 SECTION)
2	88196	1" FLAT WASHER
3	89075	1"NC NYLON TOPLOCK NUT
4	88580	1"NCx4-1/2" GR5 BOLT
5	221267	WING LIFT LINK (5 SECTION)
6	48523	WING LIFT BUSHING (1.032"ID x 1-1/4" OD x 1.06")
7	88447	1"NCx3-1/2" GR5 BOLT

ITEM	PART NO	DESCRIPTION
8	88264	1"NCx6" GR5 BOLT
9	88838	5/8"NCx1-3/4" GR5 BOLT
10	233348	WING LINK STRAP (5 SECTION)
11	221358	INNER WING FOLD STOP (5 SECTION)

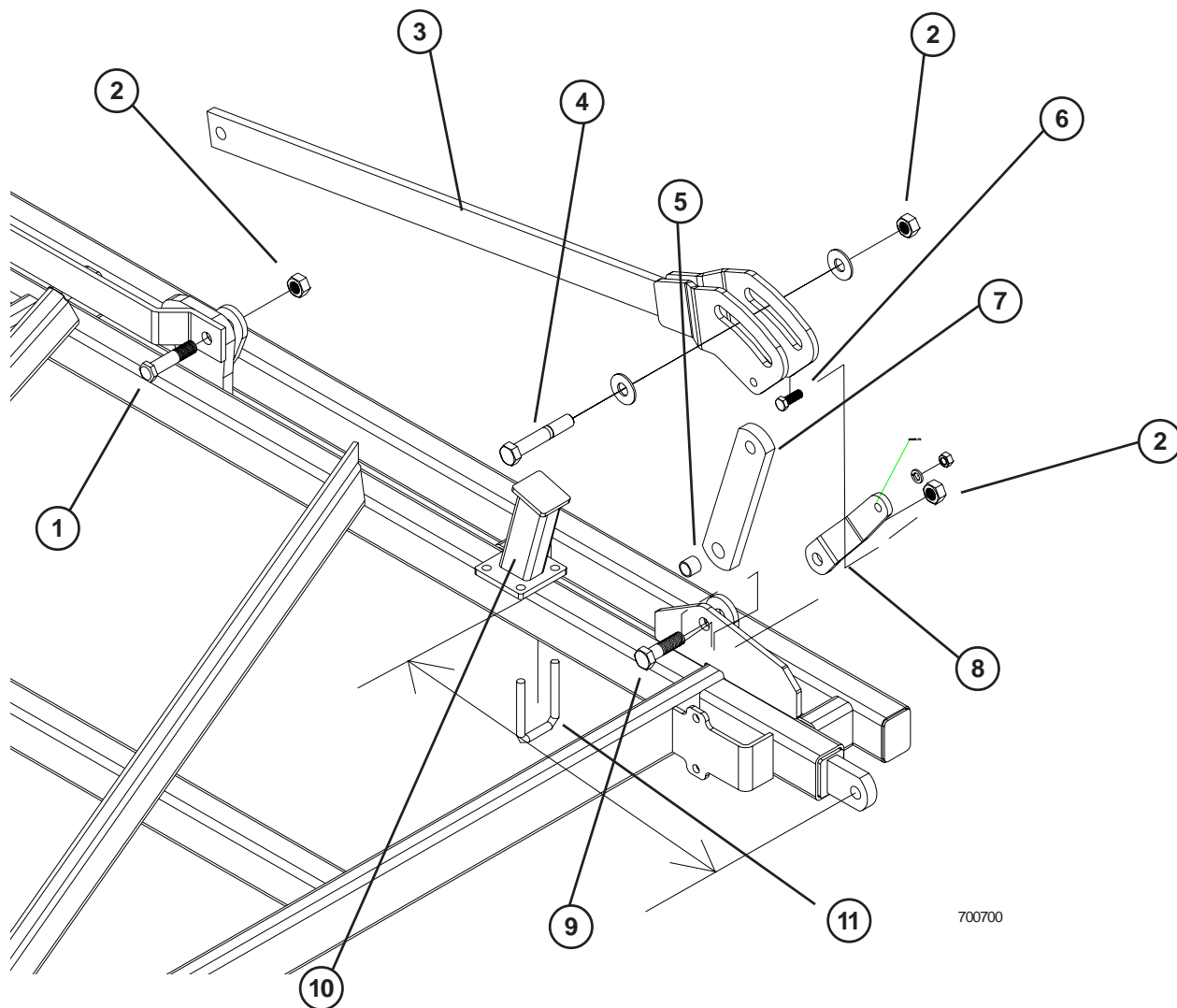
## Standard Nuts and Lock Washers

88172	1/4NC Nut	88262	1/4 Lock Washer
88103	3/8NC Nut	88362	3/8 Lock Washer
88104	1/2NC Nut	88303	1/2 Lock Washer
88126	5/8NC Nut	88129	5/8 Lock Washer
88110	3/4NC Nut	88130	3/4 Lock Washer
88371	7/8NC Nut	88341	7/8 Lock Washer

**Note: Standard nuts and lock washers are not called out. Anything other than standard will be called out.**

# 5 SECTION INNER WING HINGE

SERIAL #'S 458830 AND UP

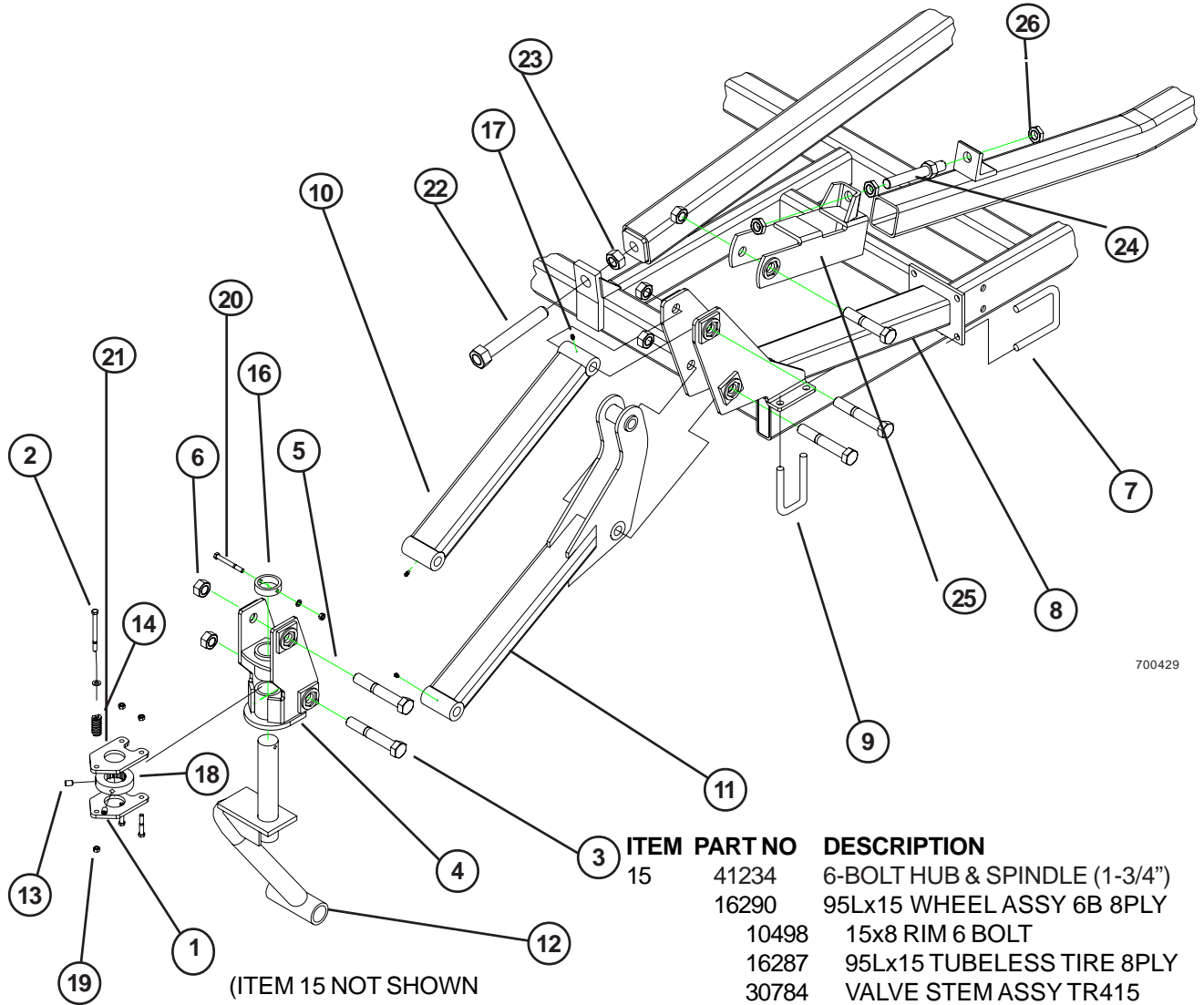


700700

ITEM	PART NO	DESCRIPTION
1	88580	1"NCx4-1/2' GR5 BOLT
2	89075	1"NC NYLON TOPLOCK NUT
3	233370	LINK LIFT ARM ( 63-1/8")
	242870	LINK LIFT ARM (34-1/4")
4	88264	1"NCx6" GR5 BOLT
5	48523	WING LIFT BUSHING (1.032"ID x 1-1/4" OD x 1.06"
6	88838	5/8NCx1-3/4 GR5 BOLT
7	221267	WING LIFT LINK

ITEM	PART NO	DESCRIPTION
8	245306	WING LINK STRAP
9	88447	1"NCx3-1/2 GR5 BOLT
10	221358	INNER WING FOLD STOP (5 SECTION)
11	88503	5/8 U-BOLT

# PARALLEL LINK GAUGE WHEEL



700429

(ITEM 15 NOT SHOWN  
SEE PAGE 29)

ITEM	PART NO	DESCRIPTION
1	242289	BREAK PLATE
2	89013	3/8"NCx4-1/2 GR5 BOLT
3	221336	1"NCx6-5/8" GR5 BOLT
4	220850	GAUGE WHEEL PIVOT BRACKET
5	88382	1/2"NCx4-1/2" GR5 BOLT
6	89075	1"NC NYLON TOPLOCK NUT
7	88388	5/8"NCx4"x3-1/4" U-BOLT
8	220853	GAUGE WHEEL MOUNT
9	88503	5/8"NCx3"x5-1/4" U-BOLT
10	221100	UPPER GAUGE WHEEL ARM
11	220840	LOWER GAUGE WHEEL ARM
12	240360	CASTER WHEEL LEG RED
13	88984	SET SCREW (1/2-13NC X 3/4)
14	242217	SPRING (1" DIA X 2" LONG)

ITEM	PART NO	DESCRIPTION
15	41234	6-BOLT HUB & SPINDLE (1-3/4")
	16290	95Lx15 WHEEL ASSY 6B 8PLY
	10498	15x8 RIM 6 BOLT
	16287	95Lx15 TUBELESS TIRE 8PLY
	30784	VALVE STEM ASSY TR415

16	14189	STOP COLLAR
17	88550	1/4" GREASE FITTING
18	242443	INNER BREAK PLATE
19	88626	3/8NC NLK NUT
20	88531	3/8 NC X 3 GRD 5 BOLT
21	242216	BREAK ASSY
22	69799	ADJUSTMENT ROD
23	88622	JAM NUT
24	48890	ADJUSTMENT ROD
25	220843	GAUGE WHEEL ADJUST BRKT
26	88125	1" NC NUT

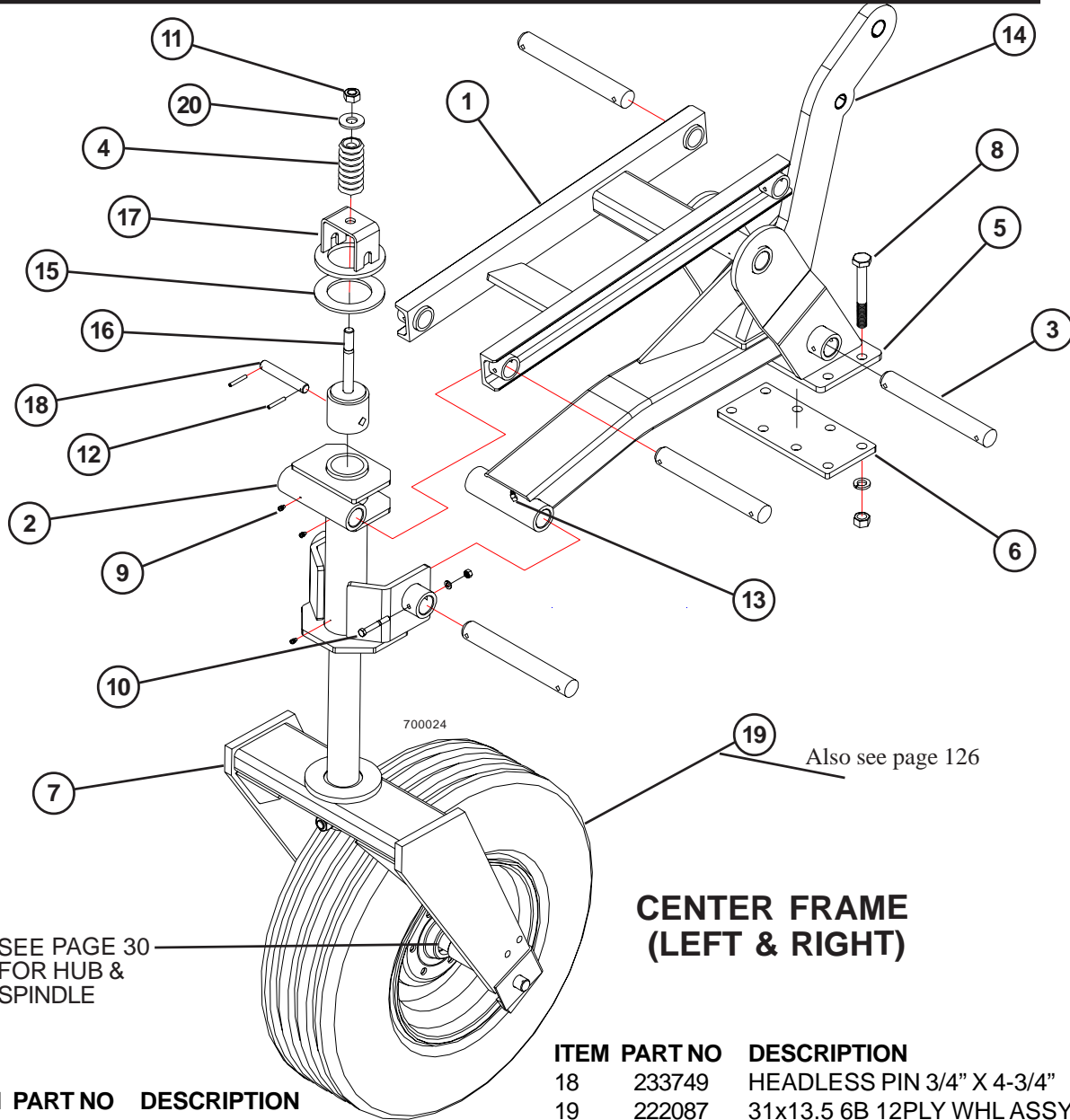
## Standard Nuts and Lock Washers

88172	1/4NC Nut	88262	1/4 Lock Washer
88103	3/8NC Nut	88362	3/8 Lock Washer
88104	1/2NC Nut	88303	1/2 Lock Washer
88126	5/8NC Nut	88129	5/8 Lock Washer
88110	3/4NC Nut	88130	3/4 Lock Washer
88371	7/8NC Nut	88341	7/8 Lock Washer

**Note: Standard nuts and lock washers are not called out. Anything other than standard will be called out.**



# QX<sup>2</sup> PARALLEL LINK GAUGE WHEEL (MAIN FRAME)



## CENTER FRAME (LEFT & RIGHT)

ITEM	PART NO	DESCRIPTION
1	54559	TOP LINK ARM (8")
2	54571	GAUGE WHEEL PIVOT
3	54595	HEADLESS PIN 1-1/2"X9-19/32"
4	54834	4-1/2" COMPRESSION SPRING
5	55659	GAUGE WHEEL MAST
6	222353	LOWER MAST PLATE
7	58203	YOKE (18")
8	88293	3/4"NCx6" GR5 BOLT
9	88550	1/4"NF GREASE FITTING
10	88582	3/8"NCx2-3/4" GR5 BOLT
11	88611	3/4"NC NYLON TOPLOCK NUT
12	88628	ROLL PIN 1/4" X 1-3/4"
13	88778	1/4"NF 45° GREASE FITTING
14	233740	CENTER LIFT ARM - RIGHT
	233741	CENTER LIFT ARM - LEFT
15	233742	DAMPER BRAKE PAD
16	233746	DAMPER CAP
17	233748	TOP DAMPER BRACKET

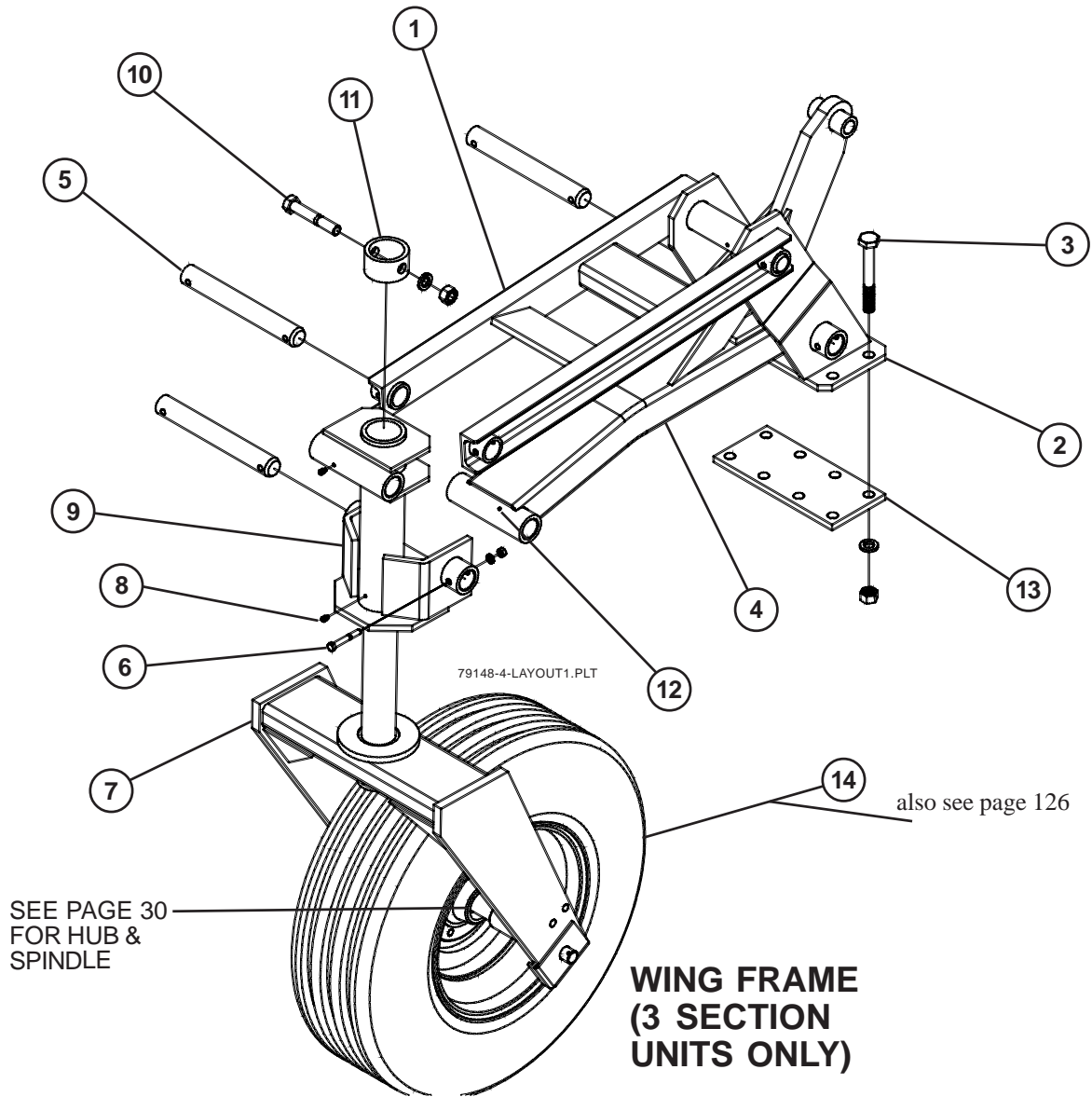
ITEM	PART NO	DESCRIPTION
18	233749	HEADLESS PIN 3/4" X 4-3/4"
19	222087	31x13.5 6B 12PLY WHL ASSY
	46714	15x10 6B WHEEL RIM
	222088	31x13.5 12PLY TUBELESS TIRE
	57908	VALVE STEM ASSEMBLY
20	88131	3/4" FLAT WASHER

### Standard Nuts and Lock Washers

88172	1/4NC Nut	88262	1/4 Lock Washer
88103	3/8NC Nut	88362	3/8 Lock Washer
88104	1/2NC Nut	88303	1/2 Lock Washer
88126	5/8NC Nut	88129	5/8 Lock Washer
88110	3/4NC Nut	88130	3/4 Lock Washer
88371	7/8NC Nut	88341	7/8 Lock Washer

**Note: Standard nuts and lock washers are not called out. Anything other than standard will be called out.**

# QX<sup>2</sup> PARALLEL LINK GAUGE WHEEL (WING)



**WING FRAME  
(3 SECTION  
UNITS ONLY)**

ITEM	PART NO	DESCRIPTION
1	54559	TOP LINK ARM (8")
2	55659	GAUGE WHEEL MAST
3	88293	3/4"NCx6" GR5 BOLT
4	221502	LOWER OUTER GAUGE ARM
5	54595	PIVOT PIN
6	88582	3/8"NCx2-3/4" GR5 BOLT
7	58203	YOKE (18")
8	88550	1/4"NF GREASE FITTING
9	54571	GAUGE WHEEL PIVOT
10	88272	3/4"NCx4" GR5 BOLT
11	16009	COLLAR
12	88778	1/4"NF 45° GREASE FITTING
13	222353	LOWER MAST PLATE

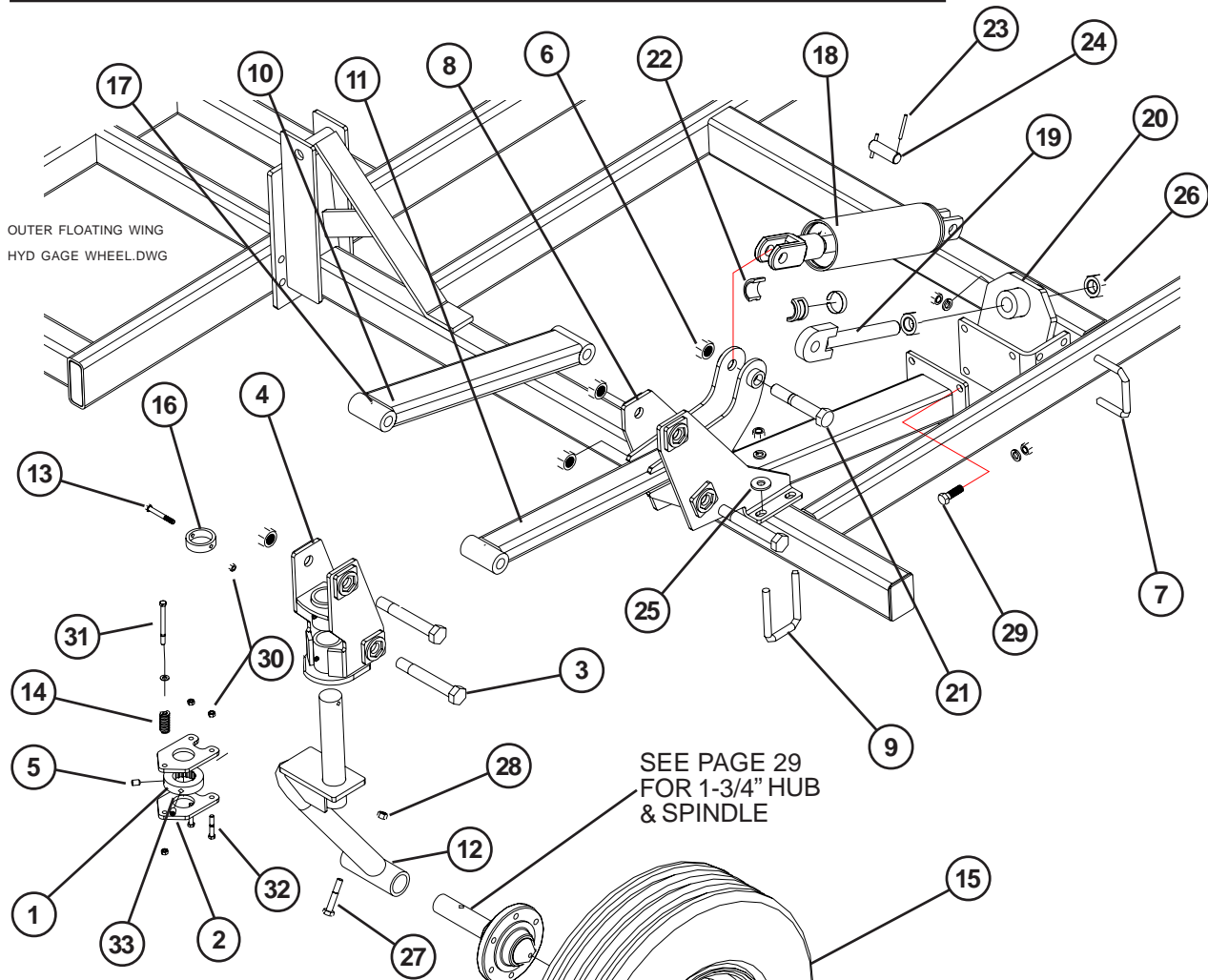
ITEM	PART NO	DESCRIPTION
14	222087	31x13.5 6B 12PLY WHL ASSY
	46714	15x10 6B WHEEL RIM
	222088	31x13.5 12PLY TUBELESS TIRE
	57908	VALVE STEM ASSEMBLY

**Standard Nuts and Lock Washers**

88172	1/4NC Nut	88262	1/4 Lock Washer
88103	3/8NC Nut	88362	3/8 Lock Washer
88104	1/2NC Nut	88303	1/2 Lock Washer
88126	5/8NC Nut	88129	5/8 Lock Washer
88110	3/4NC Nut	88130	3/4 Lock Washer
88371	7/8NC Nut	88341	7/8 Lock Washer

**Note: Standard nuts and lock washers are not called out. Anything other than standard will be called out.**

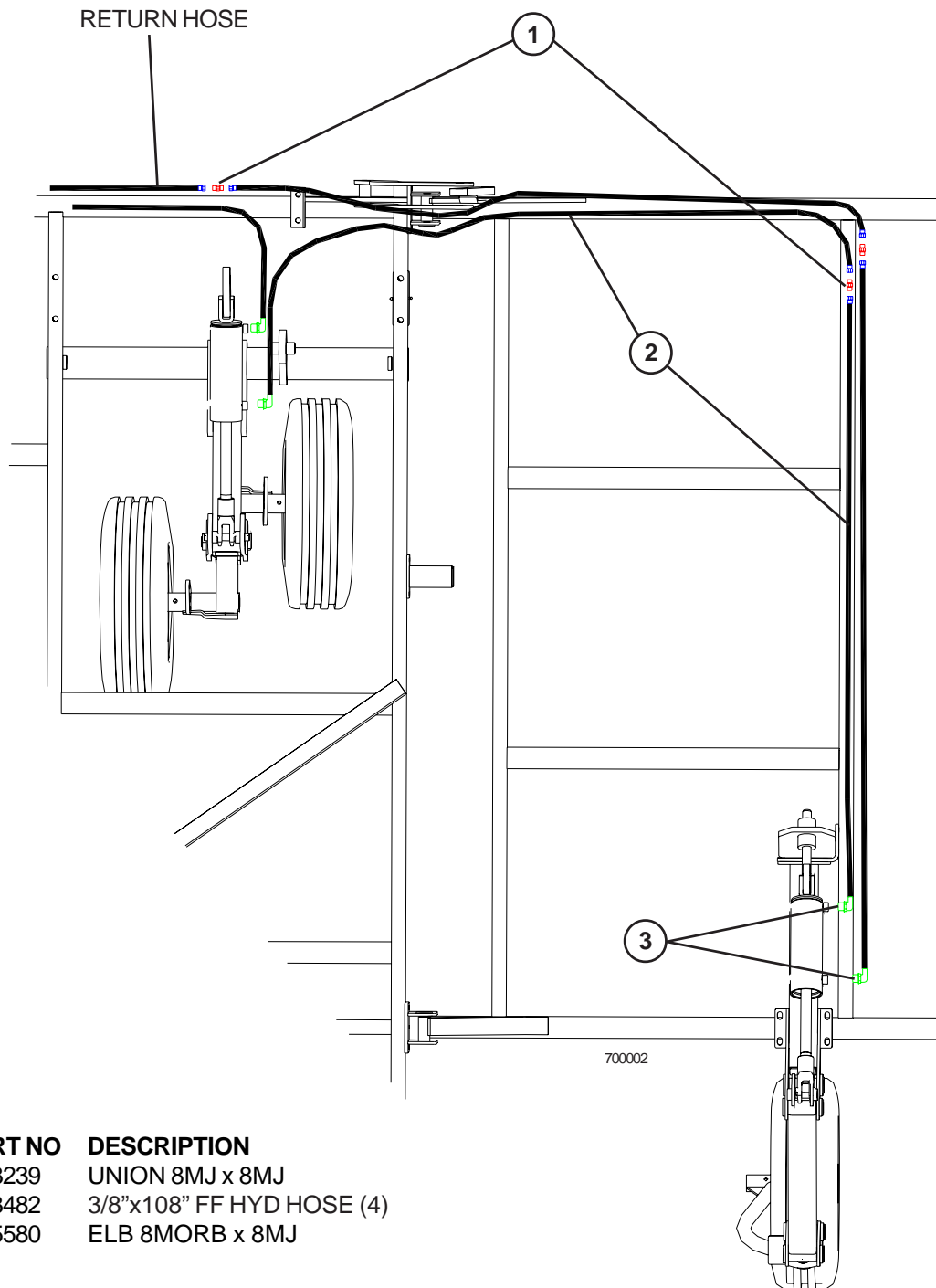
# OUTER WING HYDRAULIC GAUGE WHEEL



ITEM	PART NO	DESCRIPTION
1	242443	INNER BREAK PLATE
2	242289	BREAK PLATE
3	221336	1"NCx6-5/8" GR5 BOLT
4	220850	GAUGE WHL PIVOT BRKT
5	88984	SET SCREW
6	89075	1"NC NYLON TOPLOCK NUT
7	88388	5/8"NCx4"x3-1/4" U-BOLT
8	220853	GAUGE WHEEL MOUNT
9	88503	5/8"NCx3"x5-1/4" U-BOLT
10	221100	UPPER GAUGE WHEEL ARM
11	222961	LOWER GAUGE WHEEL ARM
12	240360	CASTER WHEEL LEG RED
13	88531	3/8"NCx3" GR5 BOLT
14	242217	SPRING
15	16290	95Lx15 WHEEL ASSY 6B 8PLY
	10498	15x8 RIM 6 BOLT
	16287	95Lx15 TUBELESS TIRE 8PLY
	30784	VALVE STEM ASSY TR415
16	14189	STOP COLLAR
17	88550	1/4" GREASE FITTING
18	220761F1	HYD CYLINDER 4x9.3 W/TOP BP
	239904	SEAL KIT
19	54621	ADJUST ROD

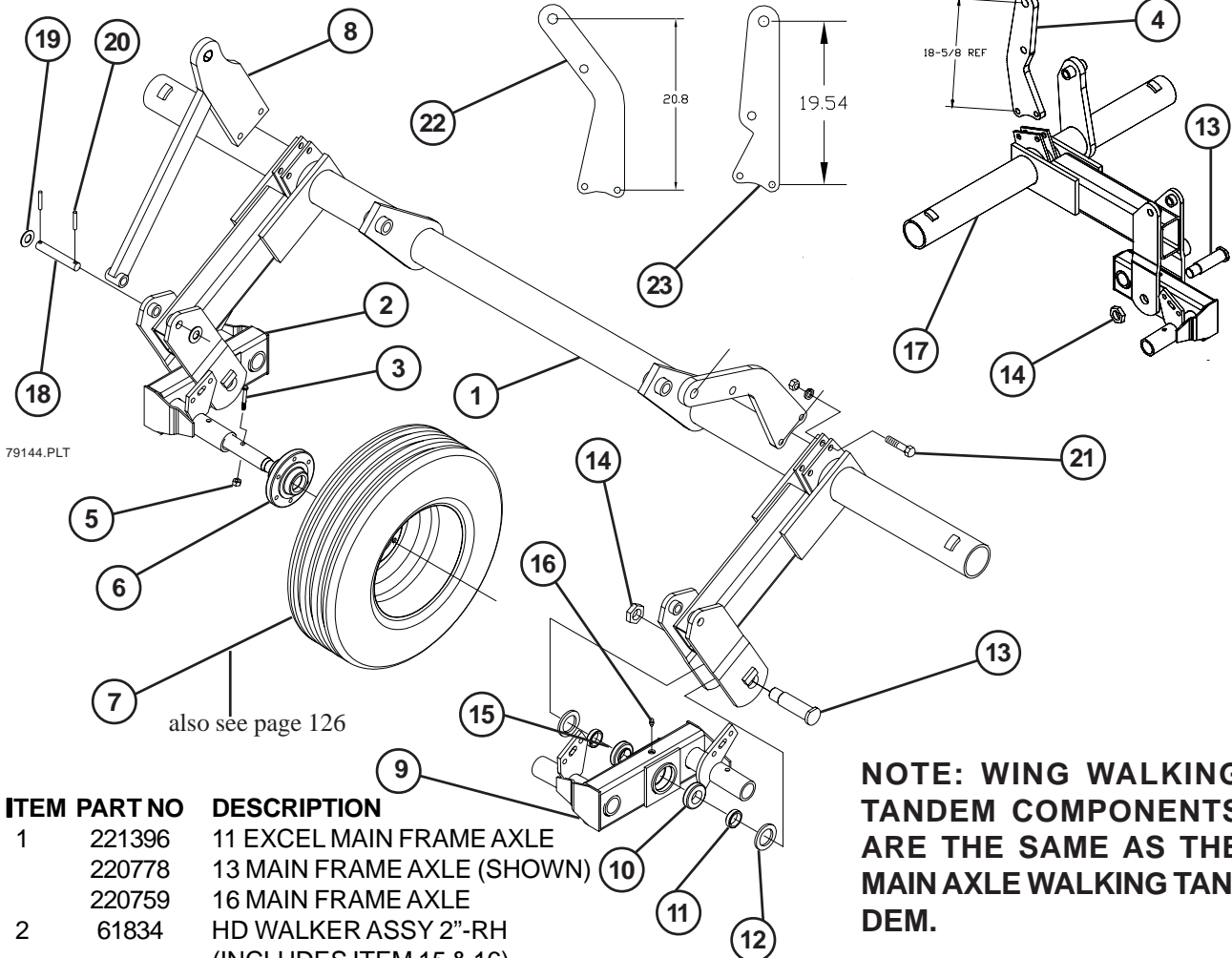
ITEM	PART NO	DESCRIPTION
20	235271	OUTER WING ANCHOR-RH
	235247	OUTER WING ANCHOR-LH(SHOWN)
21	88264	1"NCx6" GR5 BOLT
22	15113	1-1/2" STOP COLLAR
23	42484	1/4"x2-1/4" ROLL PIN
24	42473	1"x2-3/8" HEADLESS PIN
25	88277	5/8" FLAT WASHER
26	88622	1-1/4"NC JAM NUT
27	88313	1/2"NFx3" GR5 BOLT
28	88304	1/2"NF NUT
29	88294	5/8"NCx2" GR5 BOLT
30	88162	3/8"NC LOCK NUT
31	89013	3/8"NCx4-1/2 GR5 BOLT
32	88581	3/8"NCx2-1/4 GR5 BOLT
33	242216	BREAK ASSY

# HYDRAULICS-OUTER GAUGE WHEEL



ITEM	PART NO	DESCRIPTION
1	13239	UNION 8MJ x 8MJ
2	13482	3/8"x108" FF HYD HOSE (4)
3	25580	ELB 8MORB x 8MJ

# QX<sup>2</sup> & XL<sup>2</sup> MAIN AXLE & WALKING TANDEM



79144.PLT

also see page 126

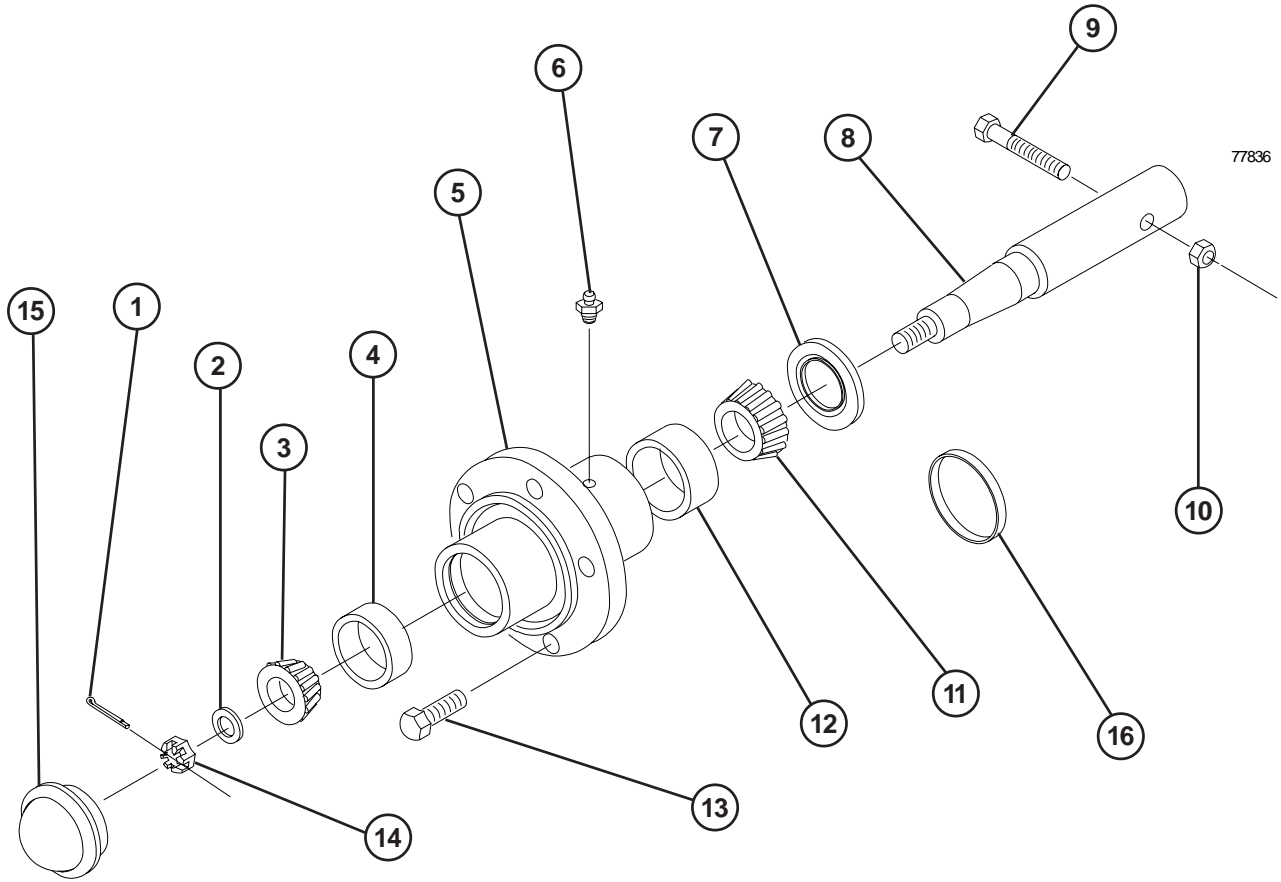
**NOTE: WING WALKING TANDEM COMPONENTS ARE THE SAME AS THE MAIN AXLE WALKING TANDEM.**

ITEM	PART NO	DESCRIPTION
1	221396	11 EXCEL MAIN FRAME AXLE
	220778	13 MAIN FRAME AXLE (SHOWN)
	220759	16 MAIN FRAME AXLE
2	61834	HD WALKER ASSY 2"-RH (INCLUDES ITEM 15 & 16)
	221479	5 SEC HD WALKER ASSY 2-1/2"-RH (INCLUDES ITEM 15 & 16)
3	89343	5/8"NCx3-1/4" GR5 BOLT
4	221261	10.8" MAST ANCHOR
5	88304	1/2"NF LOCK NUT
6	14131	6-BOLT HUB & 2" SPINDLE (SEE PAGE 29)
	16154	8-BOLT HUB & 2-1/2" SPINDLE (SEE PAGE 29)
7	16290	9.5Lx15 WHEEL ASSY 6B 8PLY
	10498	15x8 RIM 6 BOLT
	16287	9.5Lx15 TIRE 8PLY
	30784	VALVE STEM ASSY TR415
	24538	11Lx15 WHEEL ASSY 6B 8PLY
	10498	15x8 RIM 6 BOLT
	29066	11Lx15 TIRE 8PLY
30784	VALVE STEM ASSY TR415	
222087	31x13.50-15 WHEEL ASSY 12PLY	
46714	15 x10 RIM 6 BOLT	
222088	31x13.50-15 TIRE 12PLY	
57908	VALVE STEM ASSY	
203196	15 x 10 8 BOLT RIM	
246254	TIRE & RIM 5-SEC (HWY TIRE)	
	57908	

ITEM	PART NO	DESCRIPTION
8	220769	AXLE ANCHOR (QUAD X)
9	61832	HD WALKER ASSY 2"-LH (INCLUDES ITEM 15 & 16)
	221478	5 SEC HD WALKER ASSY 2-1/2"-LH (INCLUDES ITEM 15 & 16)
10	12103	1.75" BORE BRG CONE (25580)
11	16278	BEARING BUSHING
12	26120	SEAL REPLACE BY 23733
13	16277	TANDEM PIN
14	42082	1-1/2"NF HYDRA LOCK NUT
15	12104	3.265" OD BEARING CUP (NOT SHOWN)
16	88550	1/4"NF GREASE FITTING
17	220938	RIGHT WING AXLE
	220939	LEFT WING AXLE (SHOWN)
18	68033	PIN (1"x6.38")
19	88196	1" FLAT WASHER
20	42484	1/4"x2-1/4" SPIROL PIN
21	88841	3/4"NCx2-3/4" GR5 BOLT
22	221262	12.6" MAST ANCHOR (EXCEL)
23	221260	9.3" MAST ANCHOR

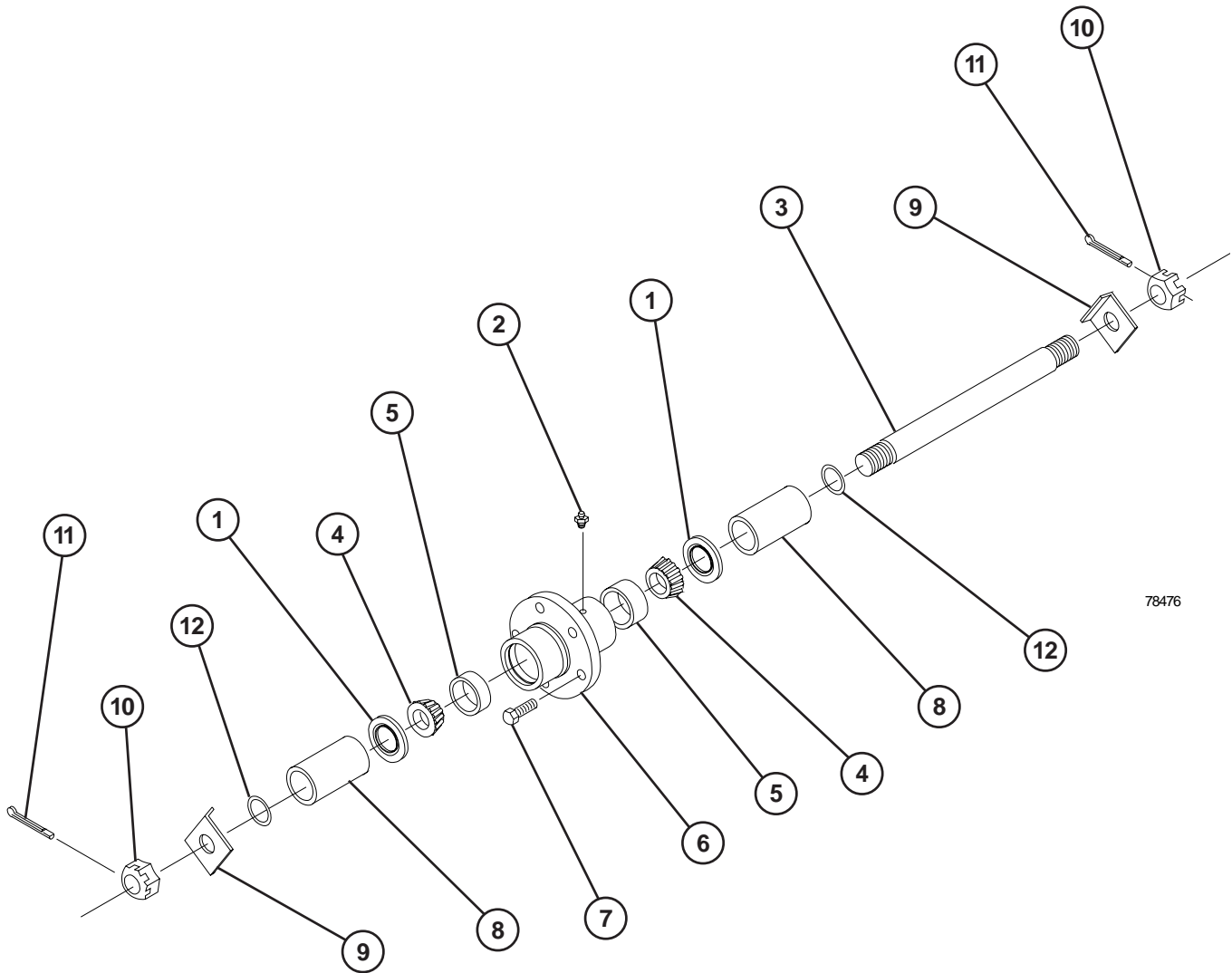


# 1-3/4", 2" & 2-1/2" HUB & SPINDLE



ITEM	PART NO	DESCRIPTION	ITEM	PART NO	DESCRIPTION
	41234	1-3/4" HUB & SPINDLE (INCLUDES ITEMS 1-8 & 11-15)	8	16156	2-1/2" SPINDLE
	14131	2" HUB & SPINDLE (INCLUDES ITEMS 1-8 & 11-15)		14251	2" AXLE SPINDLE
	16154	2-1/2" HUB & SPINDLE (INCLUDES ITEMS 1-8 & 11-15)	9	41232	1-3/4" AXLE SPINDLE
1	88301	3/16"x1-1/2" COTTER PIN		88298	5/8"NCx4" GR5 BOLT (2-1/2")
	88133	3/16"x2" COTTER PIN (2-1/2")		88429	1/2"NFx3-1/4" GR5 BOLT (2")
2	16094	7/8" SPINDLE WASHER		88313	1/2"NFx3" GR5 BOLT (1-3/4")
	64050	HARD WR 2-1/2"ODx1-1/16"ID(2-1/2")	10	88304	1/2"NF LOCK NUT
3	10345	OUTER BEARING CONE		88369	5/8"NC LOCK NUT
	16081	OUTER BEARING CONE (2-1/2")	11	16083	INNER BEARING CONE (2-1/2")
4	10344	OUTER BEARING CUP		14248	INNER BEARING CONE (2")
	16082	OUTER BEARING CUP (2-1/2")		11378	INNER BEARING CONE (1-3/4")
5	24097	6-BOLT HUB 2" SPINDLE (INCLUDES ITEMS 4, 6 & 12)	12	16084	INNER BEARING CUP (2-1/2")
	30405	6 BOLT HUB 1-3/4" SPINDLE (INCLUDES ITEMS 4, 6, 12 & 16)		14249	INNER BEARING CUP (2")
	41054	8 BOLT HUB 2-1/2" SPINDLE (INCLUDES ITEMS 4, 6, 12 & 16)		11379	INNER BEARING CUP (1-3/4")
6	88263	1/8"NPT GREASE FITTING	13	88142	1/2"NFx1 90° WHEEL BOLT
	88143	1/4 GREASE FITTING (2-1/2")		63831	9/16"NFx1-1/8" WHL BOLT (2-1/2")
7	58546	2" TRIPLE LIP SEAL	14	88340	7/8"NF SLOTTED NUT
	25585	1-3/4" TRIPLE LIP SEAL		88299	1"NF SLOTTED NUT (2-1/2")
	235298	2-1/2" SPINDLE SEAL	15	11381	DUST CAP
				16077	HUB CAP (2-1/2")
			16	25586	WEAR SLEEVE (1-3/4")

# GAUGE WHEEL HUB & SPINDLE

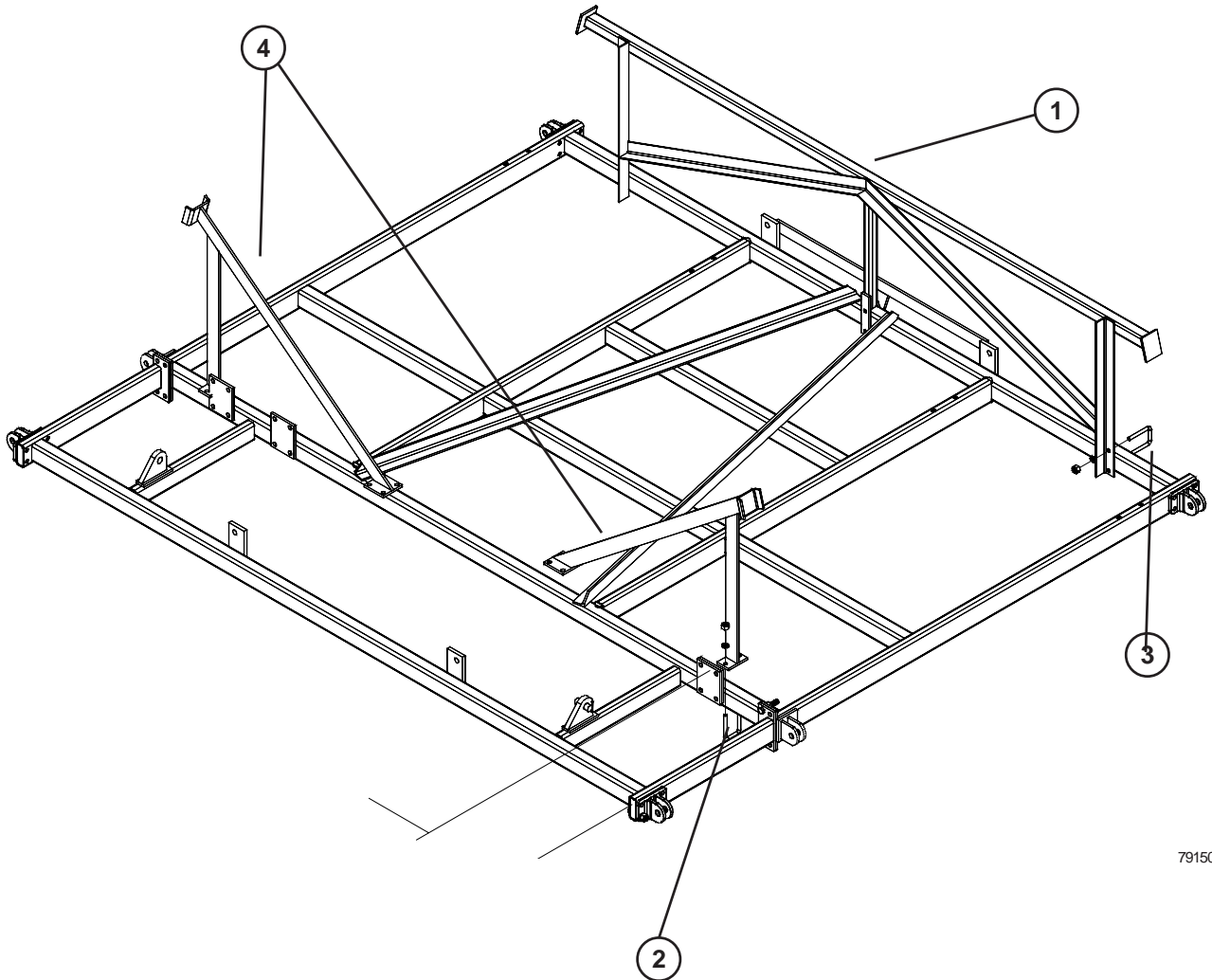


ITEM	PART NO	DESCRIPTION
	55562	YOKE HUB ASSEMBLY (22" SPINDLE)
1	208981	2" INTERNAL TRIPLE LIP SEAL
2	88263	1/8"NPT GREASE FITTING
3	58204	1-1/2" DIAx22" SPINDLE
4	54731	BEARING CONE
5	16082	BEARING CUP
6	62389	6-BOLT HUB W/CUPS (INCLUDES ITEM 5) REPLACE BY 54729

ITEM	PART NO	DESCRIPTION
7	63831	9/16"NFx1-1/8" WHEEL BOLT
8	62400	2"ODx6" SEALED SPINDLE TUBE MUST ORDER ITEM 12 WITH TUBE
9	55150	SPINDLE LOCK
10	88299	1"NF SLOTTED NUT
11	88133	3/16"x2" COTTER PIN
12	12456	O-RING (REQ. W/62400)

# 11' XL<sup>2</sup> WING REST

13' AND 16'  
WING RESTS  
ARE SHOWN  
WITH THEIR  
RESPECTIVE  
MAIN FRAMES



79150

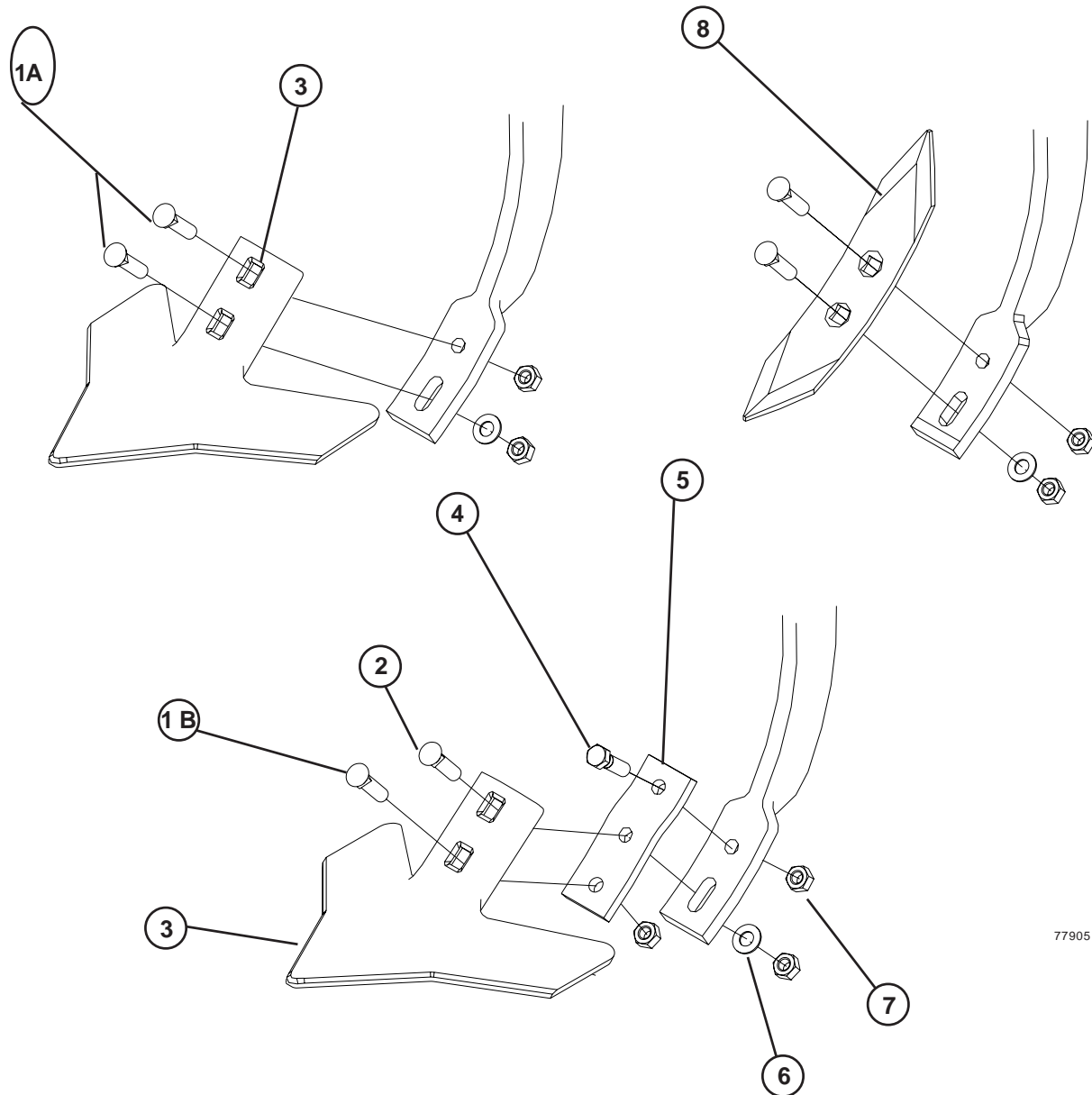
ITEM	PART NO	DESCRIPTION
1	65683	11' WING REST
2	88503	5/8"NCx3"x5-1/4" U-BOLT
3	88501	5/8"NCx4"x4-1/4" U-BOLT
4	67794	11' FRONT WING REST(9' WING)

### Standard Nuts and Lock Washers

88172	1/4NC Nut	88262	1/4 Lock Washer
88103	3/8NC Nut	88362	3/8 Lock Washer
88104	1/2NC Nut	88303	1/2 Lock Washer
88126	5/8NC Nut	88129	5/8 Lock Washer
88110	3/4NC Nut	88130	3/4 Lock Washer
88371	7/8NC Nut	88341	7/8 Lock Washer

**Note: Standard nuts and lock washers are not called out. Anything other than standard will be called out.**

# SHOVELS

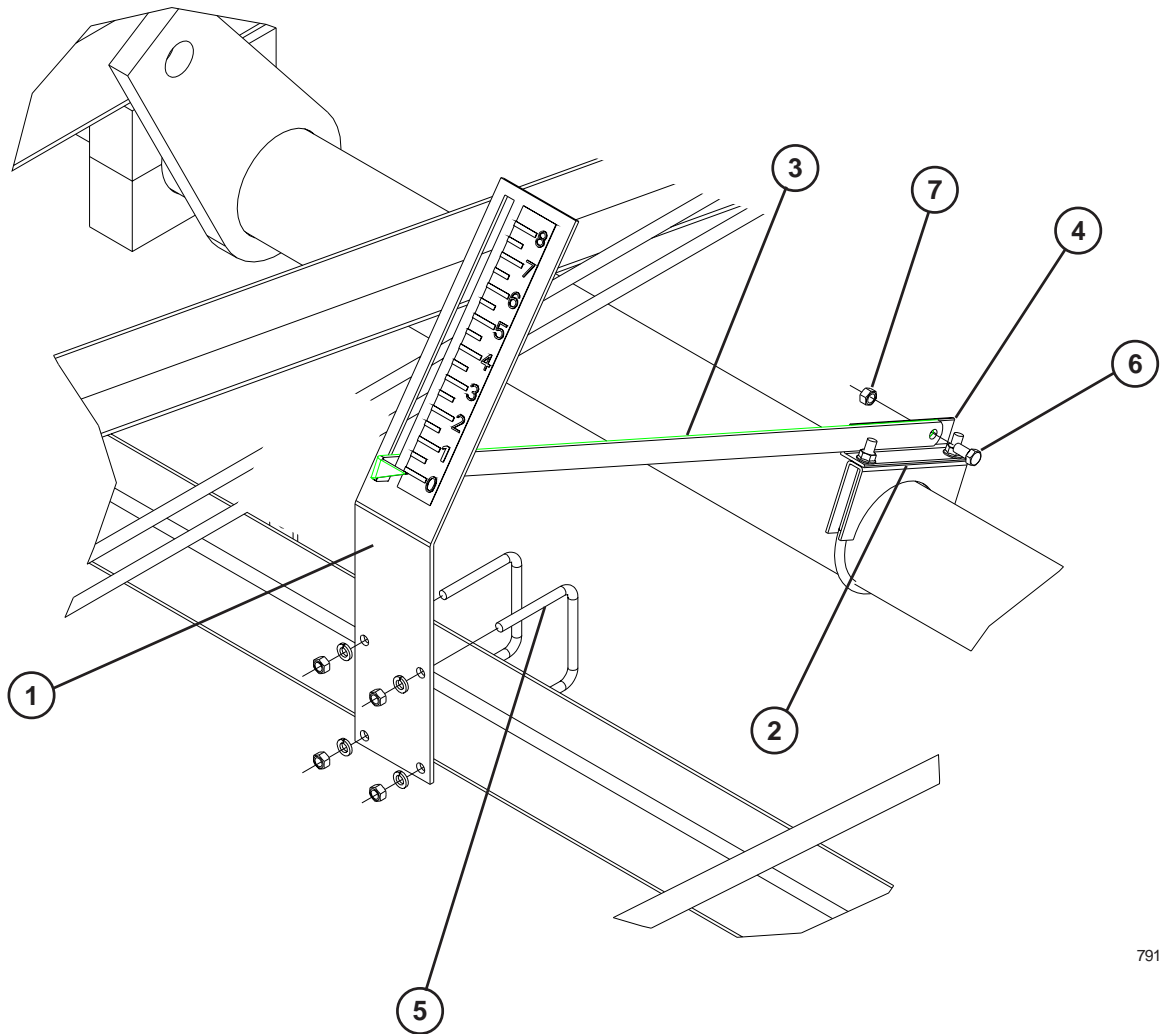


77905

ITEM	PART NO	DESCRIPTION
	16339	FC SHOVEL EXT (REF. ITEMS 1,2,4,5,6 & 7 KIT EXTENSION CONTAINS HDWE FOR 4 SHOVELS)
1A	88599	PLOW BOLT 7/16NCX1-1/2 GR5
1B	88849	PLOW BOLT 7/16NCX1-3/4 GR5
2	88464	PLOW BOLT 7/16NCX2-1/4 GR5

ITEM	PART NO	DESCRIPTION
3	222682	9" TERMINATOR SWEEP 47° STEM ANGLE W/HWDR
	222681	7" TERMINATOR SWEEP 47° STEM ANGLE W/ HDWR
4	88392	7/16NCX1-1/2 BOLT
5	41575	FC SHOVEL EXTENSION
6	88152	7/16 FLAT WASHER
7	88344	7/16NC NUT
8	222680	2" REVERSIBLE SPIKE W/HDWR

# DEPTH GAUGE



79120.PLT

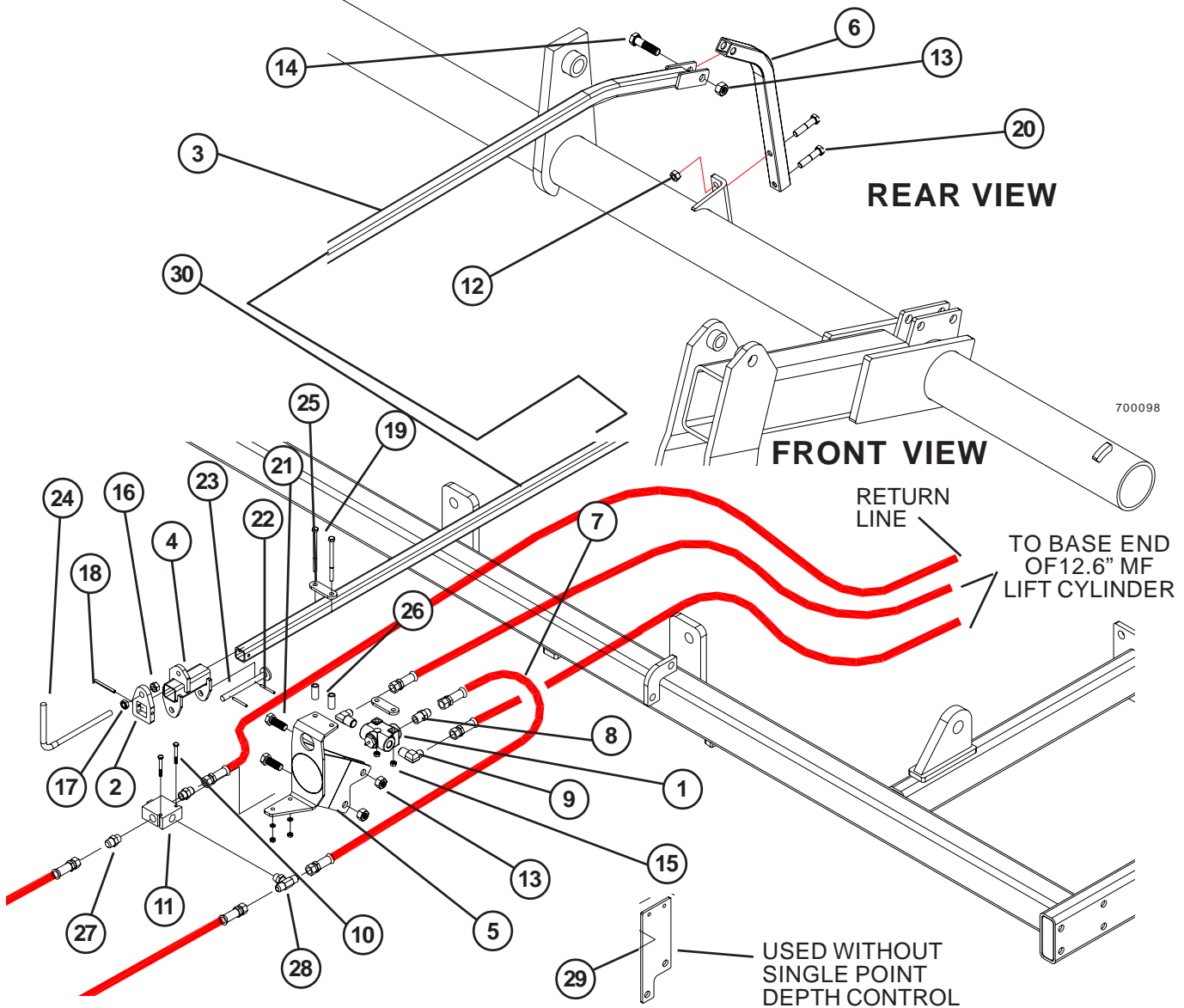
ITEM	PART NO	DESCRIPTION
1	69303	DEPTH GAUGE
2	69314	4-1/2" EXHAUST CLAMP
3	69309	DEPTH INDICATOR ARM
4	69310	ANGLE
5	88514	3/8"NCx4"x3-3/4" U-BOLT
6	88566	3/8"NCx3/4" GR5 BOLT
7	88162	3/8"NC LOCK NUT

## Standard Nuts and Lock Washers

88172	1/4NC Nut	88262	1/4 Lock Washer
88103	3/8NC Nut	88362	3/8 Lock Washer
88104	1/2NC Nut	88303	1/2 Lock Washer
88126	5/8NC Nut	88129	5/8 Lock Washer
88110	3/4NC Nut	88130	3/4 Lock Washer
88371	7/8NC Nut	88341	7/8 Lock Washer

**Note: Standard nuts and lock washers are not called out. Anything other than standard will be called out.**

# SINGLE POINT DEPTH CONTROL

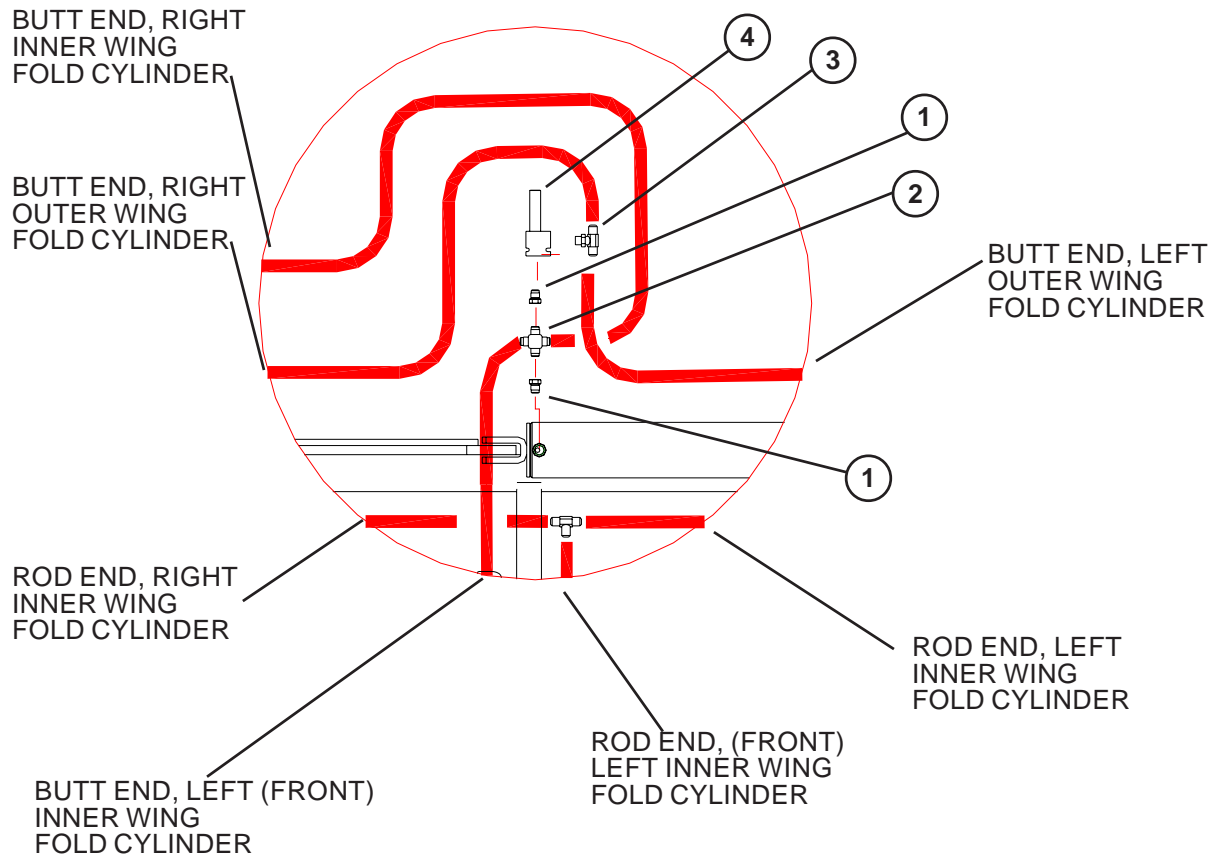


ITEM	PART NO	DESCRIPTION
1	51975	SINGLE POINT DCV ASSY
	55836	REPAIR KIT
2	222107	ADJUST EAR
3	241487	BENT TUBE
4	222111	SLIDE ADJUST
5	238638	SINGLE POINT BRACKET
6	238652	SINGLE POINT TUBE-SHORT
7	242448	HYD HOSE 1/2"x30" 8FJX-8FJX
8	13234	ADP 8MJ X 8MPT
9	13236	ELB 8MJ X 8MPT
10	89058	1/4"NC x 1 GR5 BOLT
11	241317	CHECK VALVE
12	88363	1/2" NC LOCK NUT
13	88369	5/8" NC LOCK NUT
14	88409	5/8"NCx2-1/2" GR5 BOLT
15	88540	5/16" NC LOCK NUT

ITEM	PART NO	DESCRIPTION
16	88561	1/2" NC JAM NUT
17	88621	1/2" NC NYLON LOCK NUT
18	88767	1/4"x2-1/2" ROLL PIN
19	88812	5/16"NCx4-1/2" GR5 BOLT
20	88825	1/2"NCx2-1/4" GR5 BOLT
21	88838	5/8"NCx1-3/4" GR5 BOLT
22	89078	3/16"x1-3/4" ROLL PIN
23	222180	SPRING PIN
24	222182	ADJUST CRANK
25	238636	VALVE SPACER
26	238637	SPACER TUBE
27	24024	ADP 8MORB X 8MJ
28	56534	TEE 8MORB X 8MJ X 8MJ
29	242469	VALVE MNT
30	241488	INNER TUBE



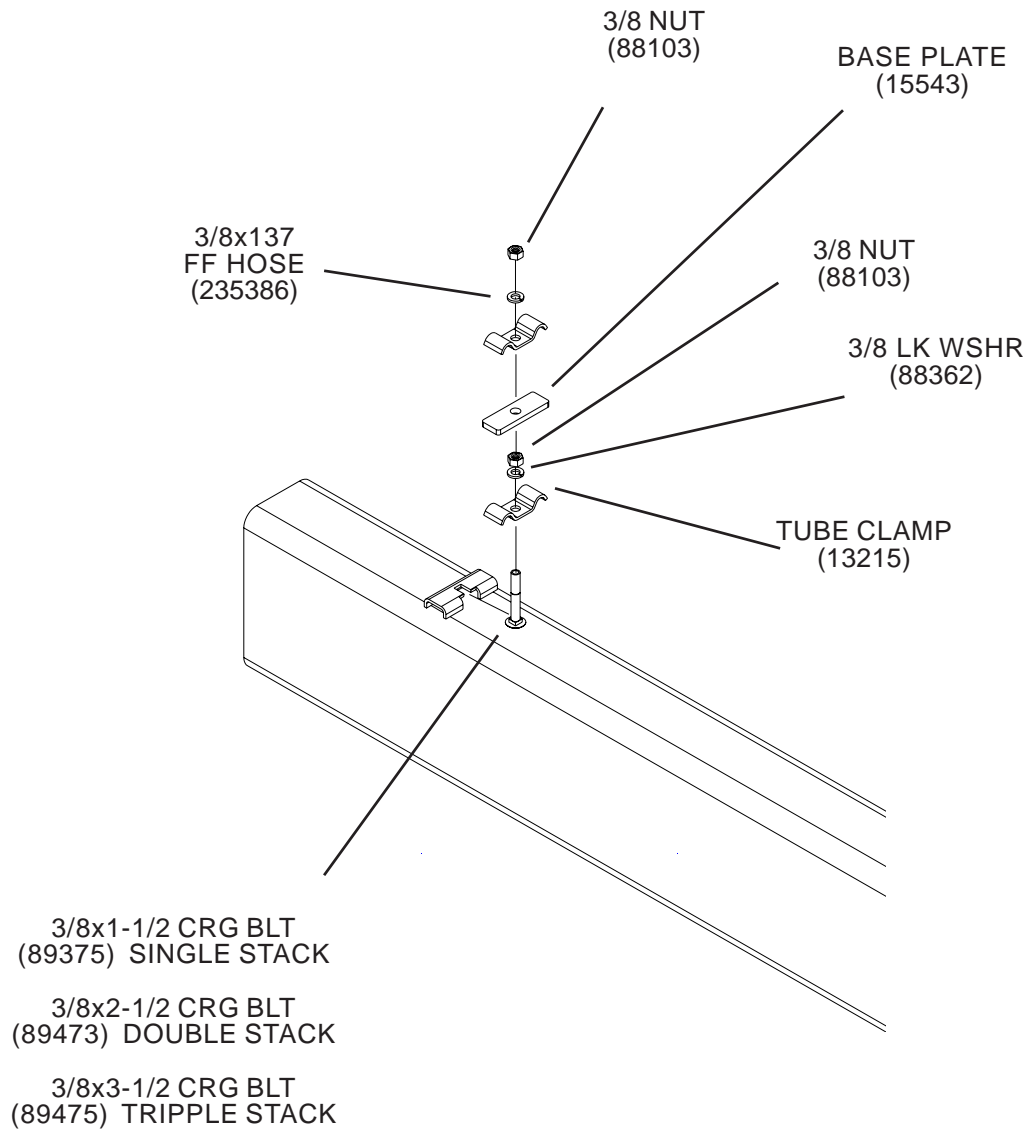
# SEQUENCE VALVE



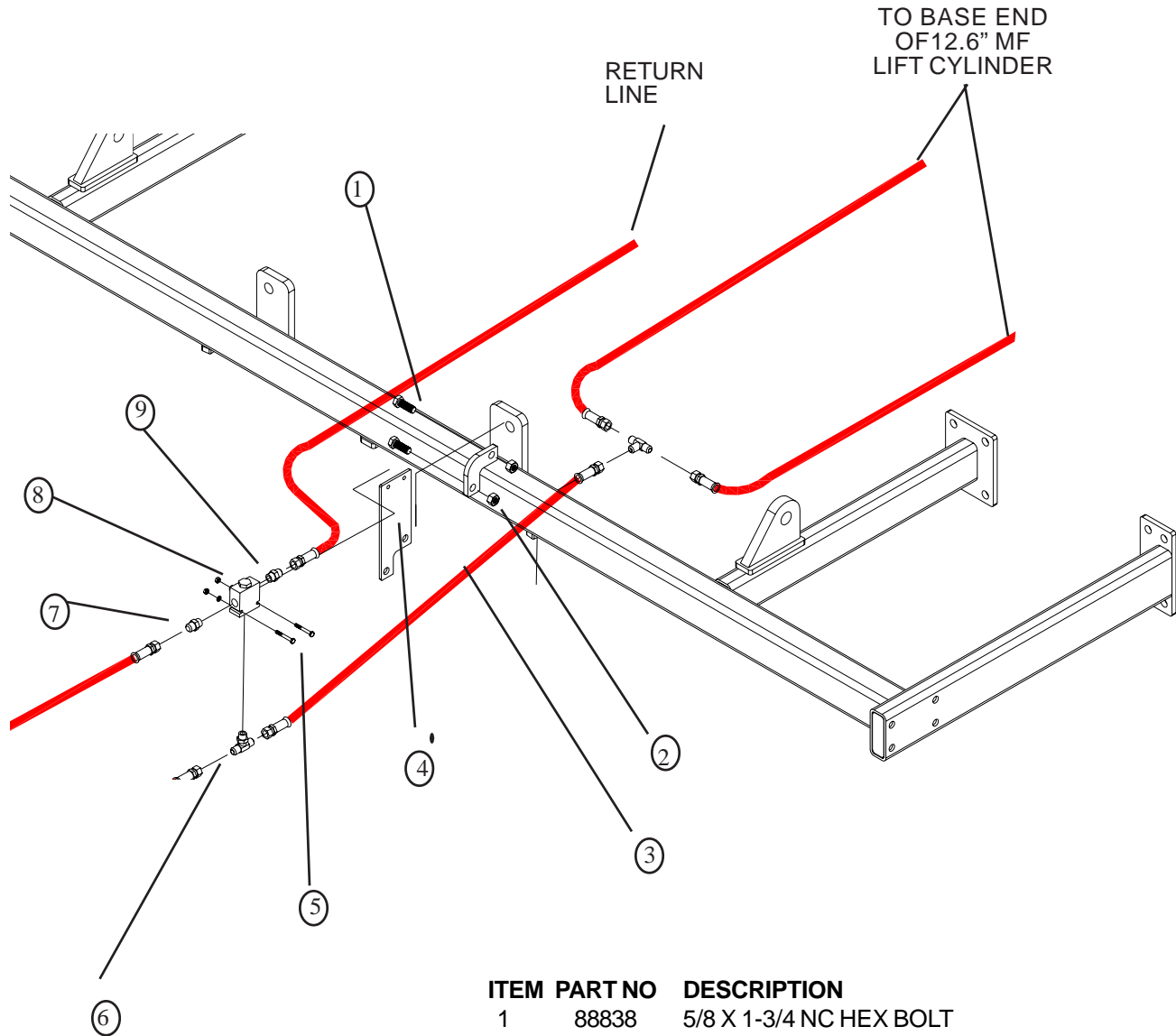
700154

ITEM	PART NO	DESCRIPTION
1	24004	ADP 8MORB x 8FJX
2	15910	CROSS 8MJ
3	56534	TEE 8MJ X 8MJ x 8MORB
4	65870	SEQUENCE VALVE

# HOSE CLAMP



# STANDARD - CHECK VALVE WITHOUT SINGLE POINT



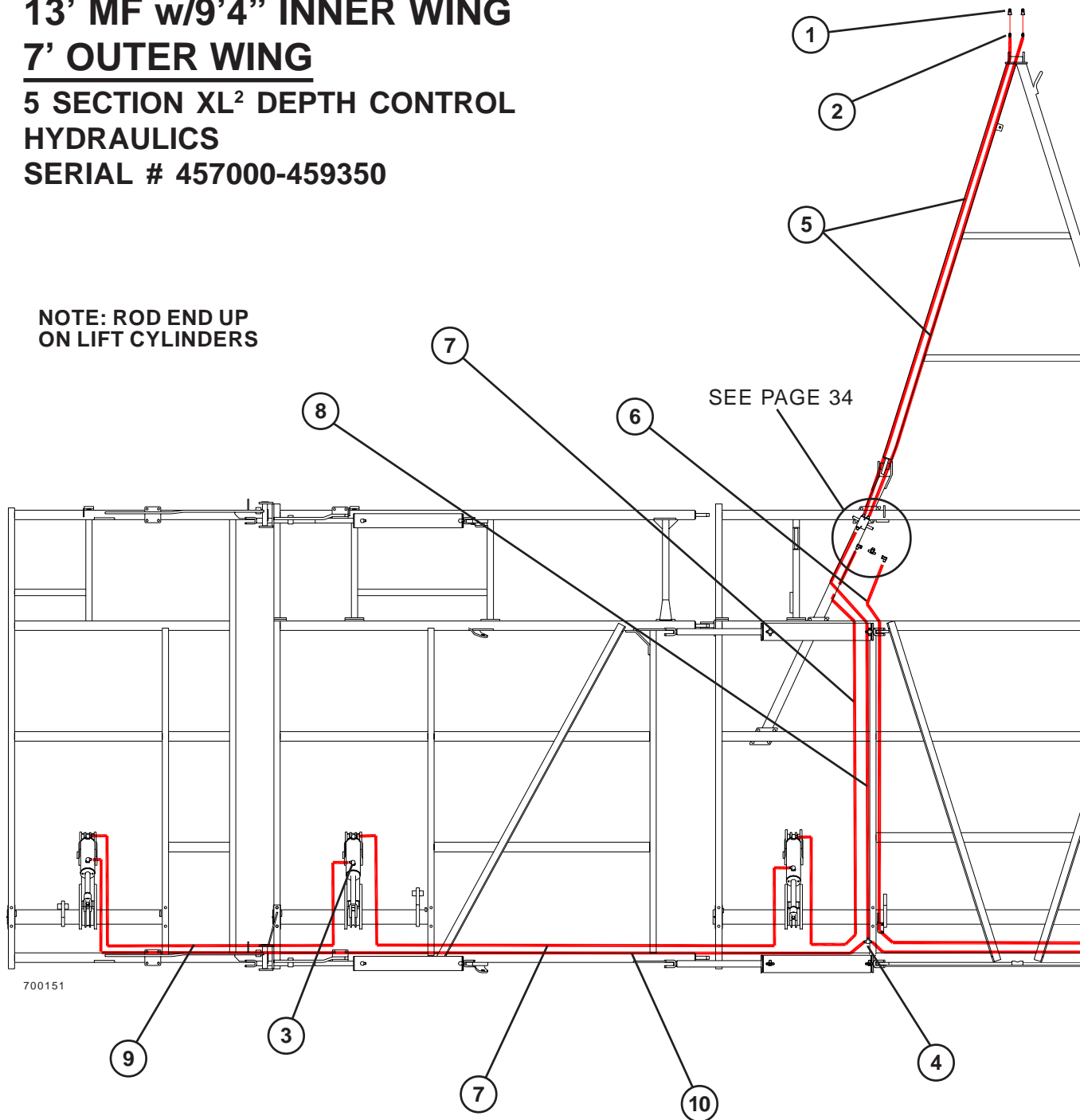
ITEM	PART NO	DESCRIPTION
1	88838	5/8 X 1-3/4 NC HEX BOLT
2	88369	5/8 NC LOCK NUT
3	242448	HOSE 1/2 X 30 8F JX-8FJX
4	243632	VALVE MNT (ONLY USE WITH OUT SINGLE POINT)
5	89058	1/4 X 1 NC HEX BOLT
6	56534	TEE 8MORB X 8MJ X 8MJ (PORT 1)
7	24024	ADP 8MORB X 8MJ (PORT 2)
8	241317	CHECK VALVE
9	24024	ADP 8MORB X 8MJ (PORT 3)

# 13' MF w/9'4" INNER WING 7' OUTER WING

## 5 SECTION XL<sup>2</sup> DEPTH CONTROL HYDRAULICS

SERIAL # 457000-459350

NOTE: ROD END UP  
ON LIFT CYLINDERS



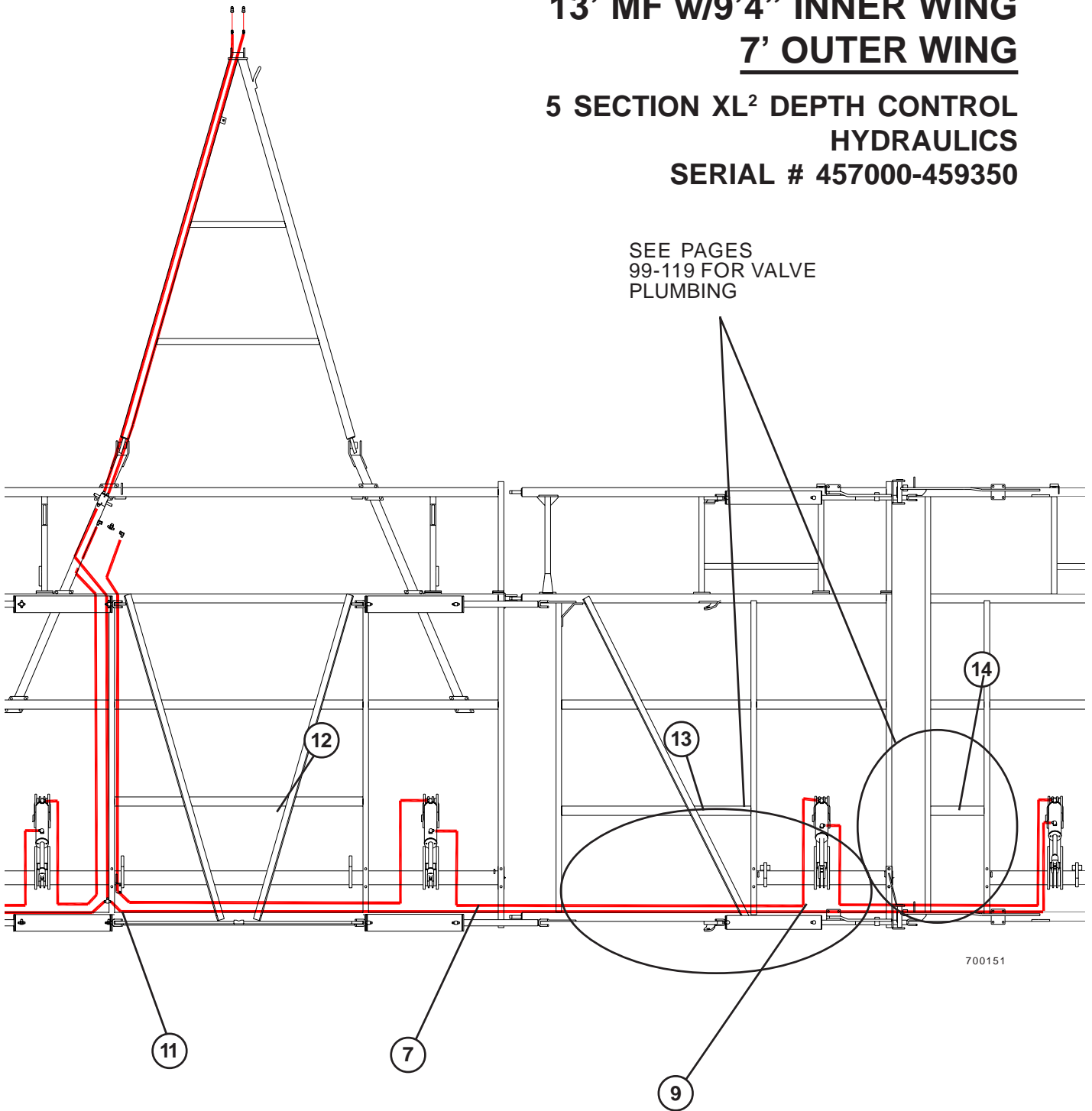
ITEM	PART NO	DESCRIPTION
1	60640	QUICK DISCONNECT COUPLER
2	13234	ADP 8MJ X 8MPT
3	25580	ELB 8MJ X 8MORB
4	13238	TEE 8MJ X 8MJ X 8MJ
5	234940	HYD HOSE 1/2"x216" FF
6	67576	HYD HOSE 3/8"x276" FF
7	233689	HYD HOSE 3/8"x180" FF
8	13484	HYD HOSE 3/8"x156" FF
9	13483	HYD HOSE 3/8"x120" FF
10	67576	HYD HOSE 3/8"x276" FF
11	240604	HYD HOSE 3/8"x300" FF

ITEM	PART NO	DESCRIPTION
12	67683F1	HYD CYL 4"X12.56" BP FGS A519CY24
	239904	SEAL KIT 4" BP (FGS SK-ACXL4Q1S)
13	67688F1	HYD CYL 4"X10.8" BP FGAA519CY25
	239904	SEAL KIT 4" BP (FGS SK-ACXL4Q1S)
14	67687F1	HYD CYL 4"X9.3" BP FGS A519CY31
	239904	SEAL KIT 4" BP (FGS SK-ACXL4Q1S)
15	220061	1-1/2" CHANNEL LOCK 10"(NOT SHOWN)
16	42505	CYLINDER PIN KIT(NOT SHOWN)

**13' MF w/9'4" INNER WING  
7' OUTER WING**

**5 SECTION XL<sup>2</sup> DEPTH CONTROL  
HYDRAULICS  
SERIAL # 457000-459350**

SEE PAGES  
99-119 FOR VALVE  
PLUMBING



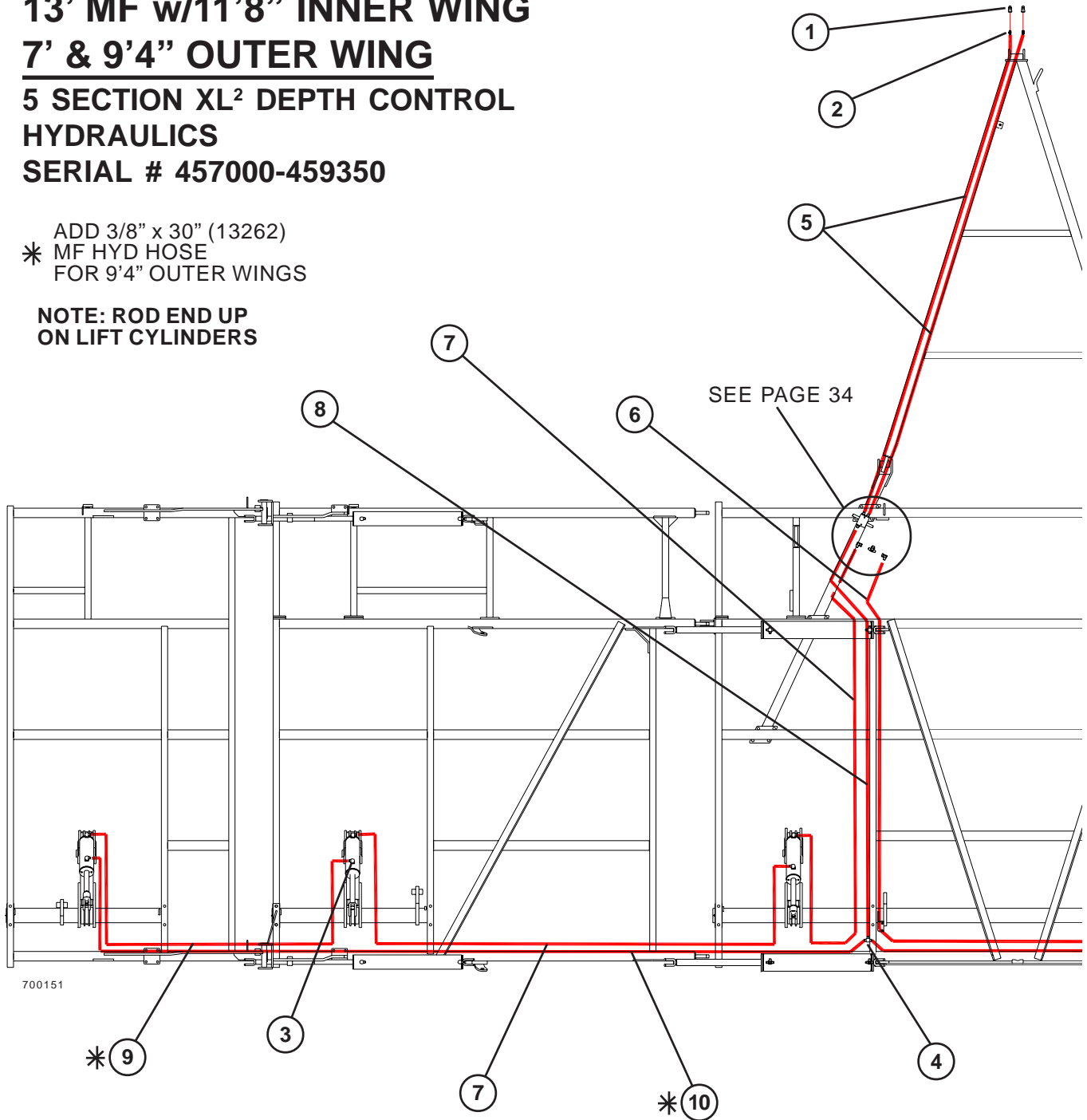
700151



**13' MF w/11'8" INNER WING  
7' & 9'4" OUTER WING  
5 SECTION XL<sup>2</sup> DEPTH CONTROL  
HYDRAULICS  
SERIAL # 457000-459350**

ADD 3/8" x 30" (13262)  
\* MF HYD HOSE  
FOR 9'4" OUTER WINGS

**NOTE: ROD END UP  
ON LIFT CYLINDERS**



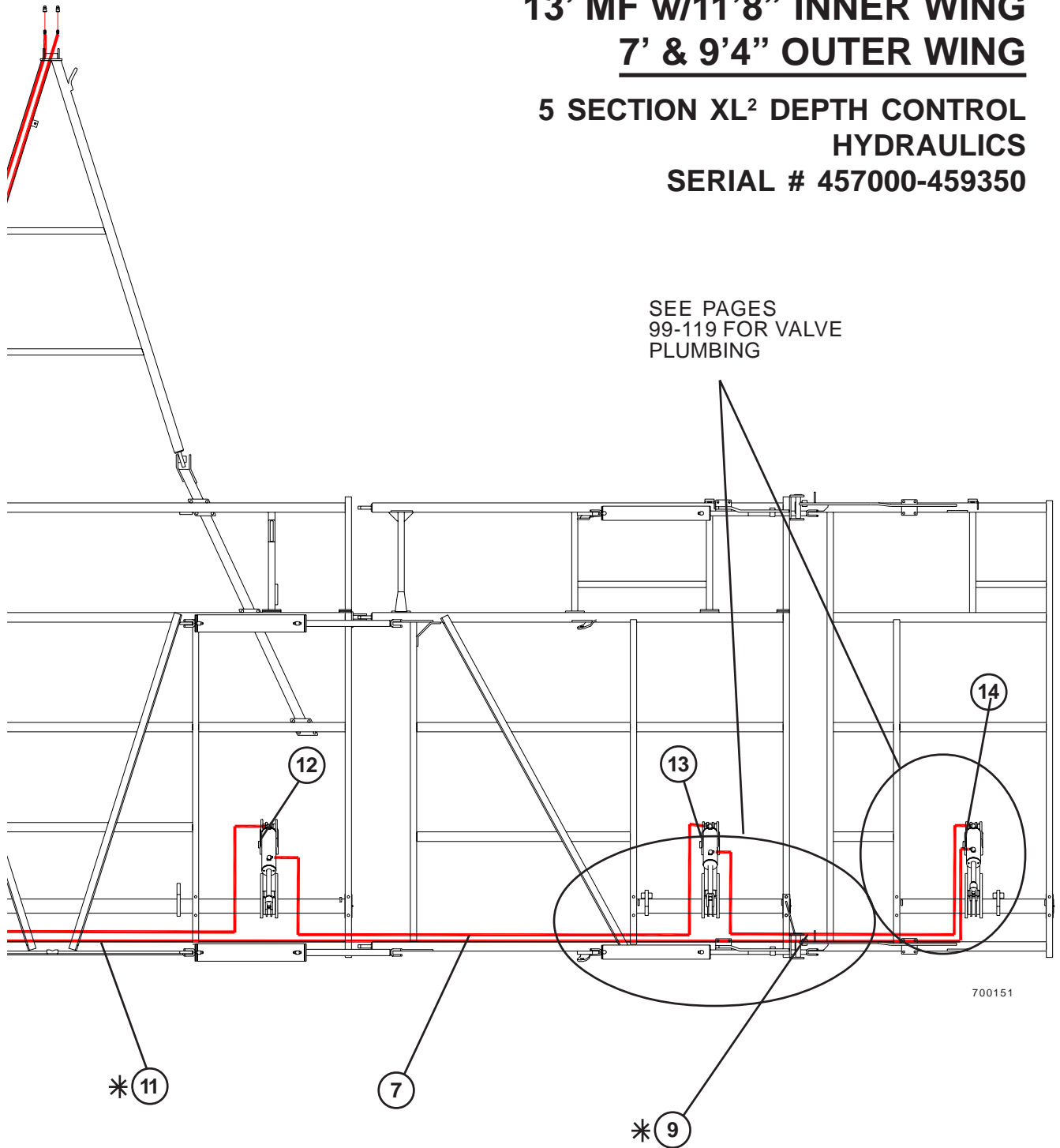
ITEM	PART NO	DESCRIPTION
1	60640	QUICK DISCONNECT COUPLER
2	13234	ADP 8MJ X 8MPT
3	25580	ELB 8MJ X 8MORB
4	13238	TEE 8MJ X 8MJ X 8MJ
5	234940	HYD HOSE 1/2"x216" FF
6	67576	HYD HOSE 3/8"x276" FF
7	240605	HYD HOSE 3/8"x216" FF
8	13484	HYD HOSE 3/8"x156" FF
9	13483	HYD HOSE 3/8"x120" FF
10	240604	HYD HOSE 3/8"x300" FF
11	240609	HYD HOSE 3/8"x324" FF

ITEM	PART NO	DESCRIPTION
12	67683F1	HYD CYL 4"x12.56" BP FGS A519CY24
	239904	SEAL KIT 4" BP (FGS SK-ACXL4Q1S)
13	67688F1	HYD CYL 4"x10.8" BP FGA A519CY25
	239904	SEAL KIT 4" BP (FGS SK-ACXL4Q1S)
14	67687F1	HYD CYL 4"x9.3" BP FGS A519CY31
	239904	SEAL KIT 4" BP (FGS SK-ACXL4Q1S)
15	220061	1-1/2" CHANNEL LOCK 10"(NOT SHOWN)
16	42505	CYLINDER PIN KIT(NOT SHOWN)

# 13' MF w/11'8" INNER WING 7' & 9'4" OUTER WING

5 SECTION XL<sup>2</sup> DEPTH CONTROL  
HYDRAULICS

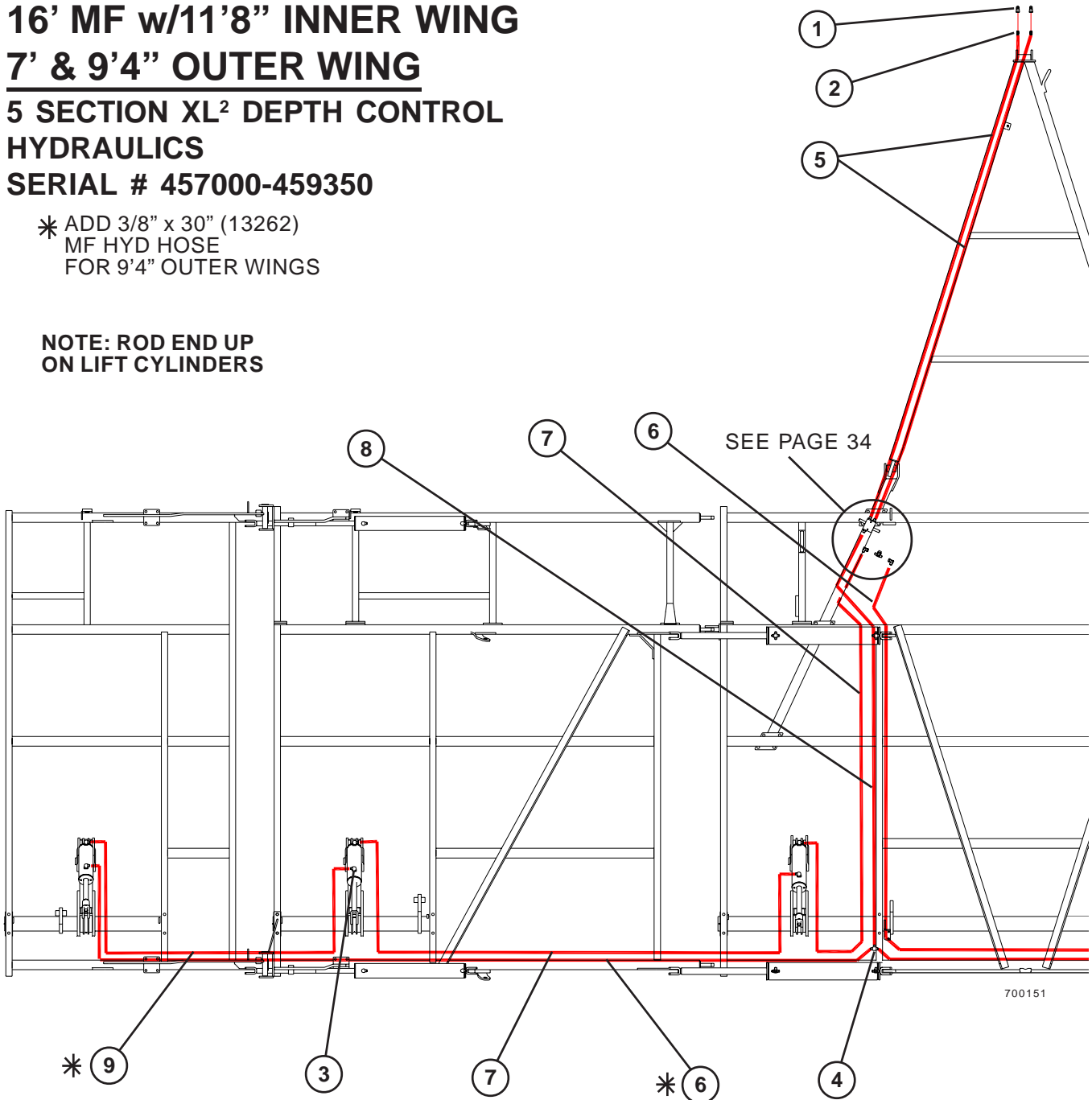
SERIAL # 457000-459350



**16' MF w/11'8" INNER WING  
7' & 9'4" OUTER WING  
5 SECTION XL<sup>2</sup> DEPTH CONTROL  
HYDRAULICS  
SERIAL # 457000-459350**

\* ADD 3/8" x 30" (13262)  
MF HYD HOSE  
FOR 9'4" OUTER WINGS

**NOTE: ROD END UP  
ON LIFT CYLINDERS**

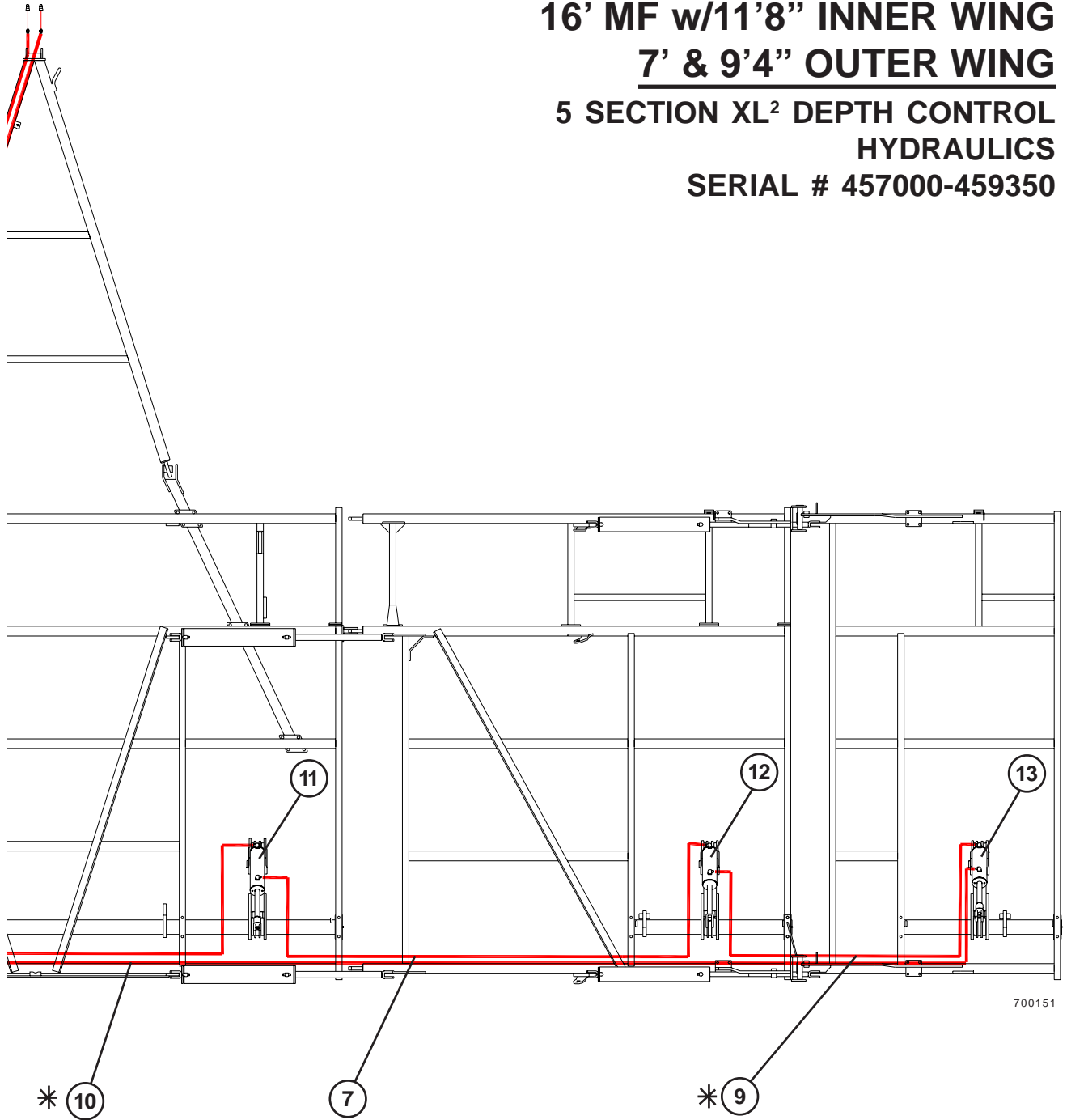


ITEM	PART NO	DESCRIPTION	ITEM	PART NO	DESCRIPTION
1	60640	QUICK DISCONNECT COUPLER	11	67683F1	HYD CYL 4"X12.56" BP FGS A519CY24
2	13234	ADP 8MJ X 8MPT		239904	SEAL KIT 4" BP (FGS SK-ACXL4Q1S)
3	25580	ELB 8MJ X 8MORB	12	67688F1	HYD CYL 4"X10.8" BP FGA A519CY25
4	13238	TEE 8MJ X 8MJ X 8MJ		239904	SEAL KIT 4" BP (FGS SK-ACXL4Q1S)
5	234940	HYD HOSE 1/2"x216" FF	13	67687F1	HYD CYL 4"X9.3" BP FGS A519CY31
6	240604	HYD HOSE 3/8"x300" FF		239904	SEAL KIT 4" BP (FGS SK-ACXL4Q1S)
7	240605	HYD HOSE 3/8"x216" FF	14	220061	1-1/2" CHANNEL LOCK 10"(NOT SHOWN)
8	13484	HYD HOSE 3/8"x156" FF	15	42505	CYLINDER PIN KIT(NOT SHOWN)
9	13483	HYD HOSE 3/8"x120" FF			
10	240611	HYD HOSE 3/8"x360" FF			

**16' MF w/11'8" INNER WING  
7' & 9'4" OUTER WING**

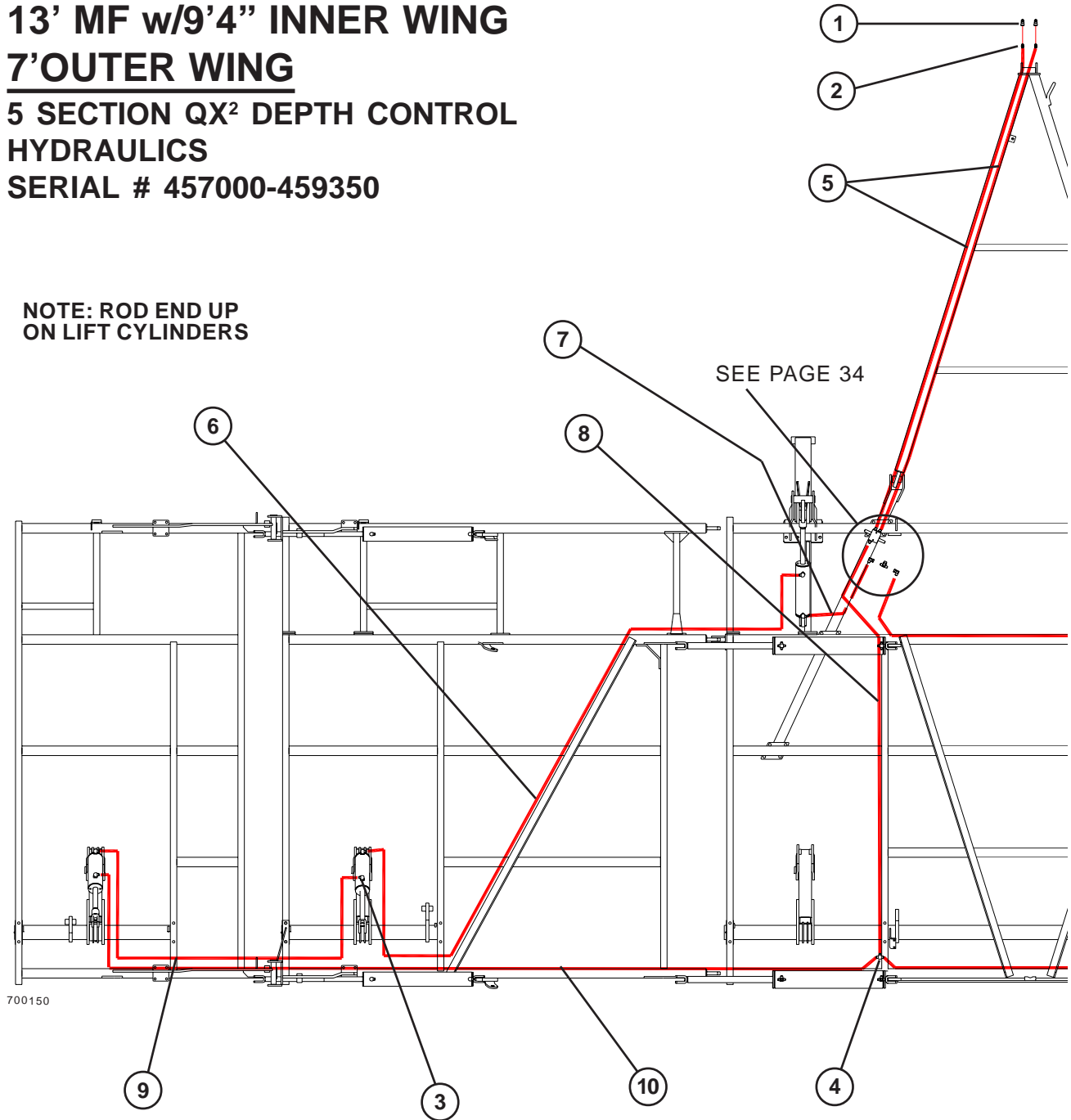
**5 SECTION XL<sup>2</sup> DEPTH CONTROL  
HYDRAULICS**

**SERIAL # 457000-459350**



**13' MF w/9'4" INNER WING  
7' OUTER WING  
5 SECTION QX<sup>2</sup> DEPTH CONTROL  
HYDRAULICS  
SERIAL # 457000-459350**

**NOTE: ROD END UP  
ON LIFT CYLINDERS**



ITEM	PART NO	DESCRIPTION
1	60640	QUICK DISCONNECT COUPLER
2	13234	ADP 8MJ X 8MPT
3	25580	ELB 8MJ X 8MORB
4	13238	TEE 8MJ X 8MJ X 8MJ
5	234940	HYD HOSE 1/2"x216" FF
6	67576	HYD HOSE 3/8"x276" FF
7	13265	HYD HOSE 3/8"x56" FF
8	13484	HYD HOSE 3/8"x156" FF
9	13483	HYD HOSE 3/8"x120" FF
10	67576	HYD HOSE 3/8"x276" FF
11	240609	HYD HOSE 3/8"x324" FF

ITEM	PART NO	DESCRIPTION
12	67683F1	HYD CYL 4"x12.56" BP FGS A519CY24
	239904	SEAL KIT 4" BP (FGS SK-ACXL4Q1S)
13	67688F1	HYD CYL 4"x10.8" BP FGAA519CY25
	239904	SEAL KIT 4" BP (FGS SK-ACXL4Q1S)
14	67687F1	HYD CYL 4"x9.3" BP FGS A519CY31
	239904	SEAL KIT 4" BP (FGS SK-ACXL4Q1S)
15	220061	1-1/2" CHANNEL LOCK 10"(NOT SHOWN)
16	42505	CYLINDER PIN KIT(NOT SHOWN)

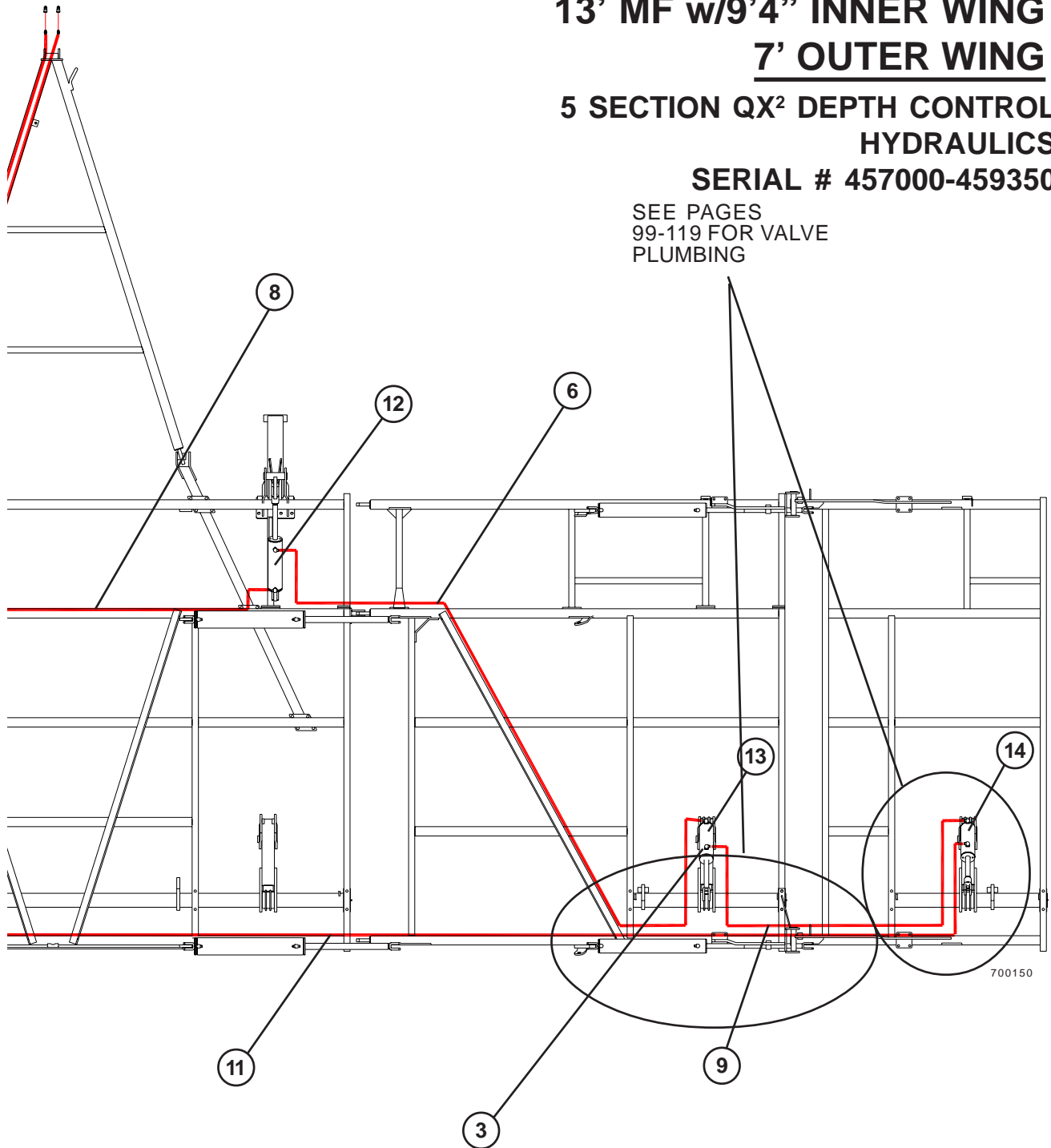


# 13' MF w/9'4" INNER WING 7' OUTER WING

## 5 SECTION QX<sup>2</sup> DEPTH CONTROL HYDRAULICS

SERIAL # 457000-459350

SEE PAGES  
99-119 FOR VALVE  
PLUMBING



# 13' MF w/11'8" INNER WING 7' & 9'4" OUTER WING

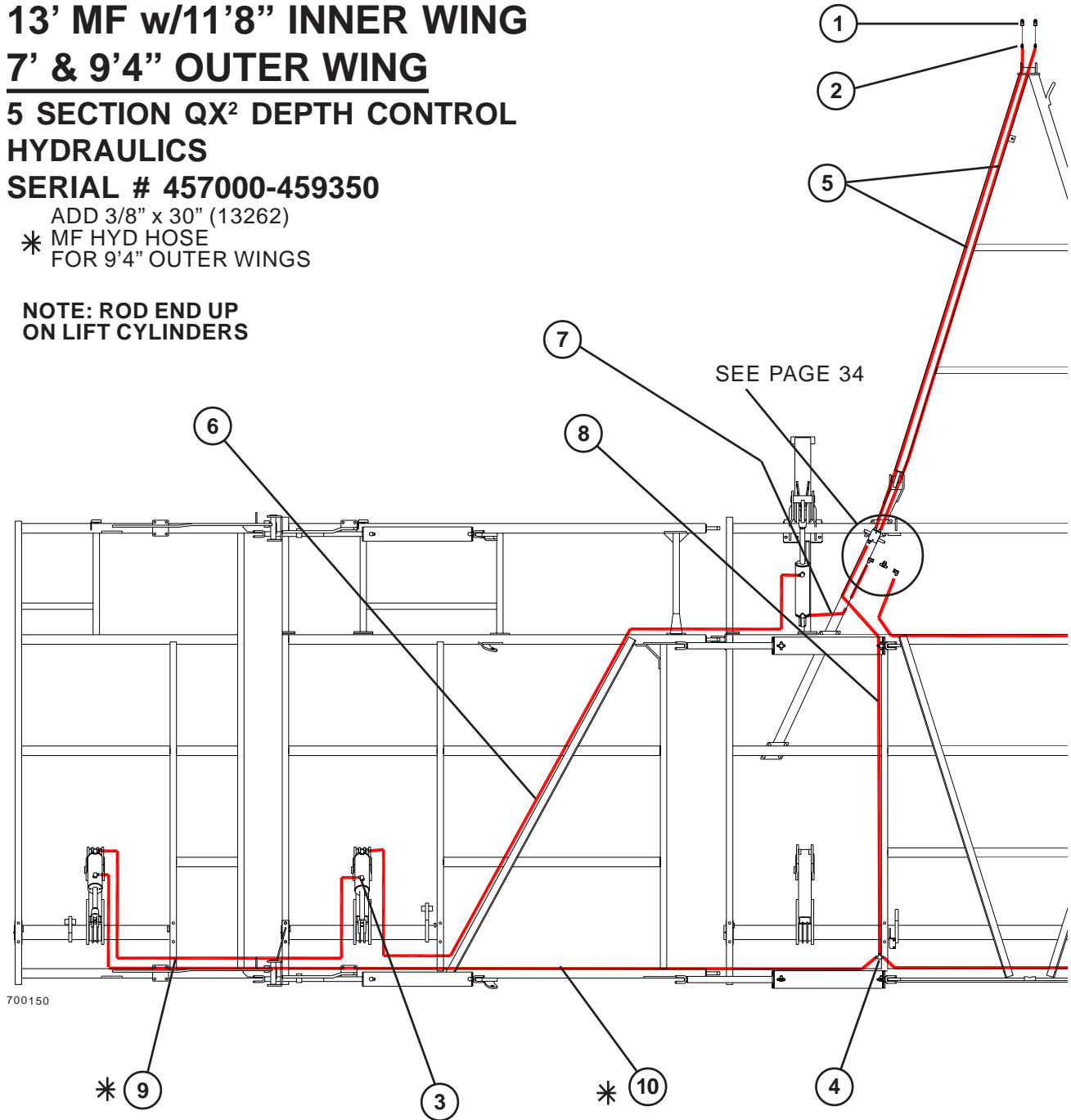
## 5 SECTION QX<sup>2</sup> DEPTH CONTROL HYDRAULICS

**SERIAL # 457000-459350**

ADD 3/8" x 30" (13262)

\* MF HYD HOSE  
FOR 9'4" OUTER WINGS

**NOTE: ROD END UP  
ON LIFT CYLINDERS**



ITEM	PART NO	DESCRIPTION
1	60640	QUICK DISCONNECT COUPLER
2	13234	ADP 8MJ X 8MPT
3	25580	ELB 8MJ X 8MORB
4	13238	TEE 8MJ X 8MJ X 8MJ
5	234940	HYD HOSE 1/2"x216" FF
6	67576	HYD HOSE 3/8"x276" FF
7	13265	HYD HOSE 3/8"x56" FF
8	13484	HYD HOSE 3/8"x156" FF
9	13483	HYD HOSE 3/8"x120" FF
10	240604	HYD HOSE 3/8"x300" FF
11	240609	HYD HOSE 3/8"x324" FF

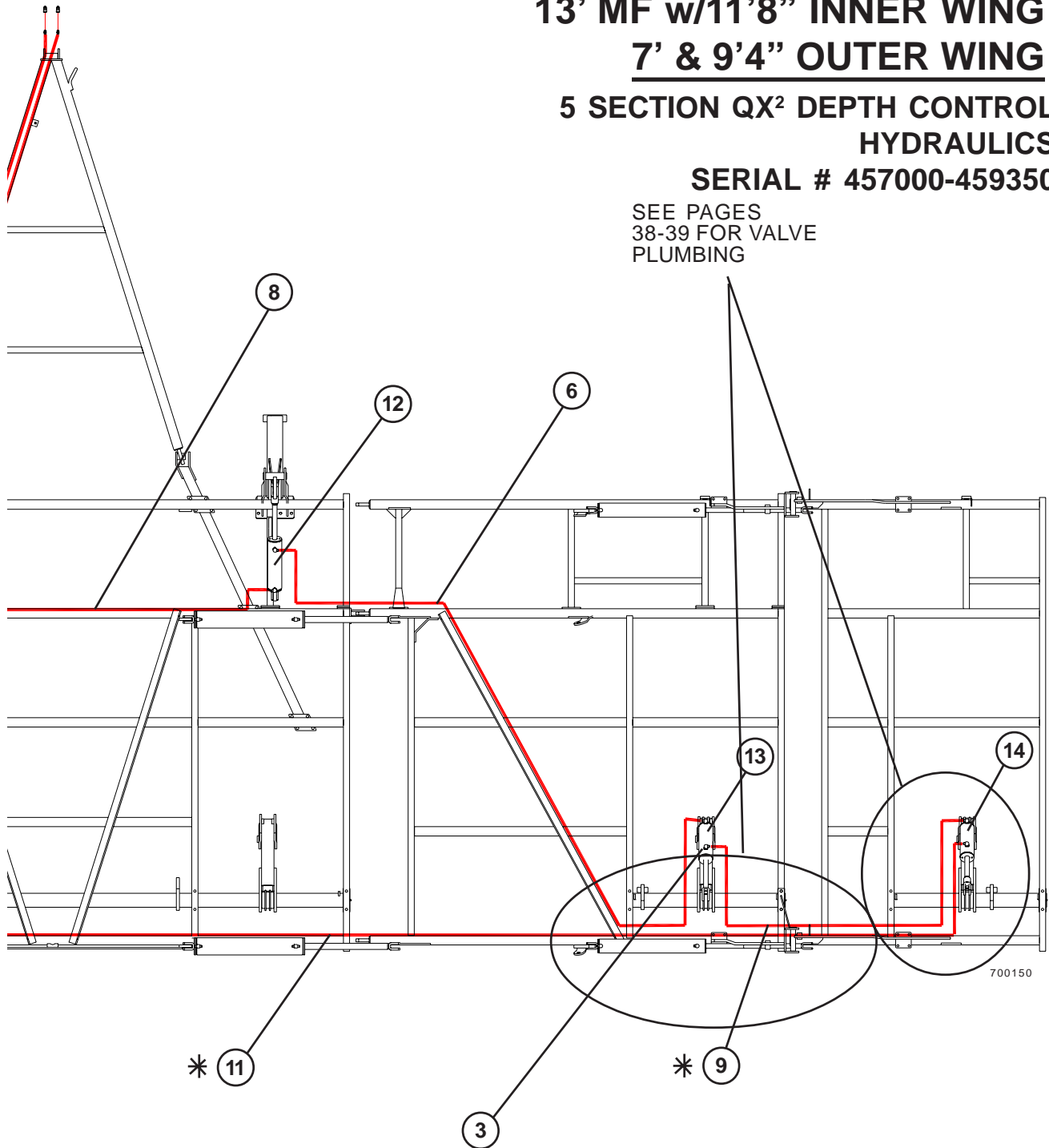
ITEM	PART NO	DESCRIPTION
12	67683F1	HYD CYL 4"x12.56" BP FGS A519CY24
	239904	SEAL KIT 4" BP (FGS SK-ACXL4Q1S)
13	67688F1	HYD CYL 4"x10.8" BP FGAA519CY25
	239904	SEAL KIT 4" BP (FGS SK-ACXL4Q1S)
14	67687F1	HYD CYL 4"x9.3" BP FGS A519CY31
	239904	SEAL KIT 4" BP (FGS SK-ACXL4Q1S)
15	220061	1-1/2" CHANNEL LOCK 10"(NOT SHOWN)
16	42505	CYLINDER PIN KIT(NOT SHOWN)

**13' MF w/11'8" INNER WING  
7' & 9'4" OUTER WING**

**5 SECTION QX<sup>2</sup> DEPTH CONTROL  
HYDRAULICS**

**SERIAL # 457000-459350**

SEE PAGES  
38-39 FOR VALVE  
PLUMBING



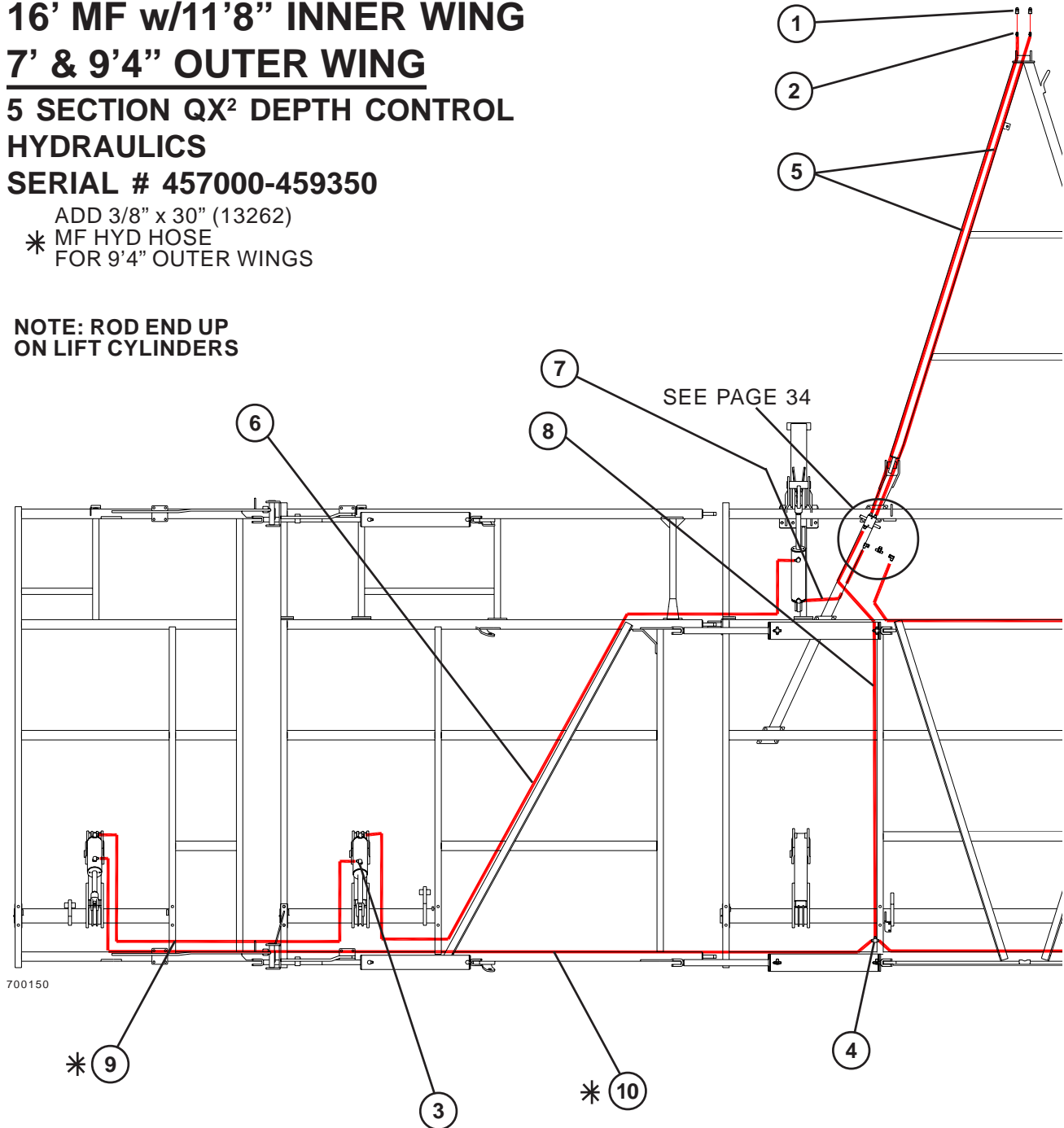
# 16' MF w/11'8" INNER WING 7' & 9'4" OUTER WING

## 5 SECTION QX<sup>2</sup> DEPTH CONTROL HYDRAULICS

**SERIAL # 457000-459350**

- ADD 3/8" x 30" (13262)
- \* MF HYD HOSE FOR 9'4" OUTER WINGS

**NOTE: ROD END UP ON LIFT CYLINDERS**



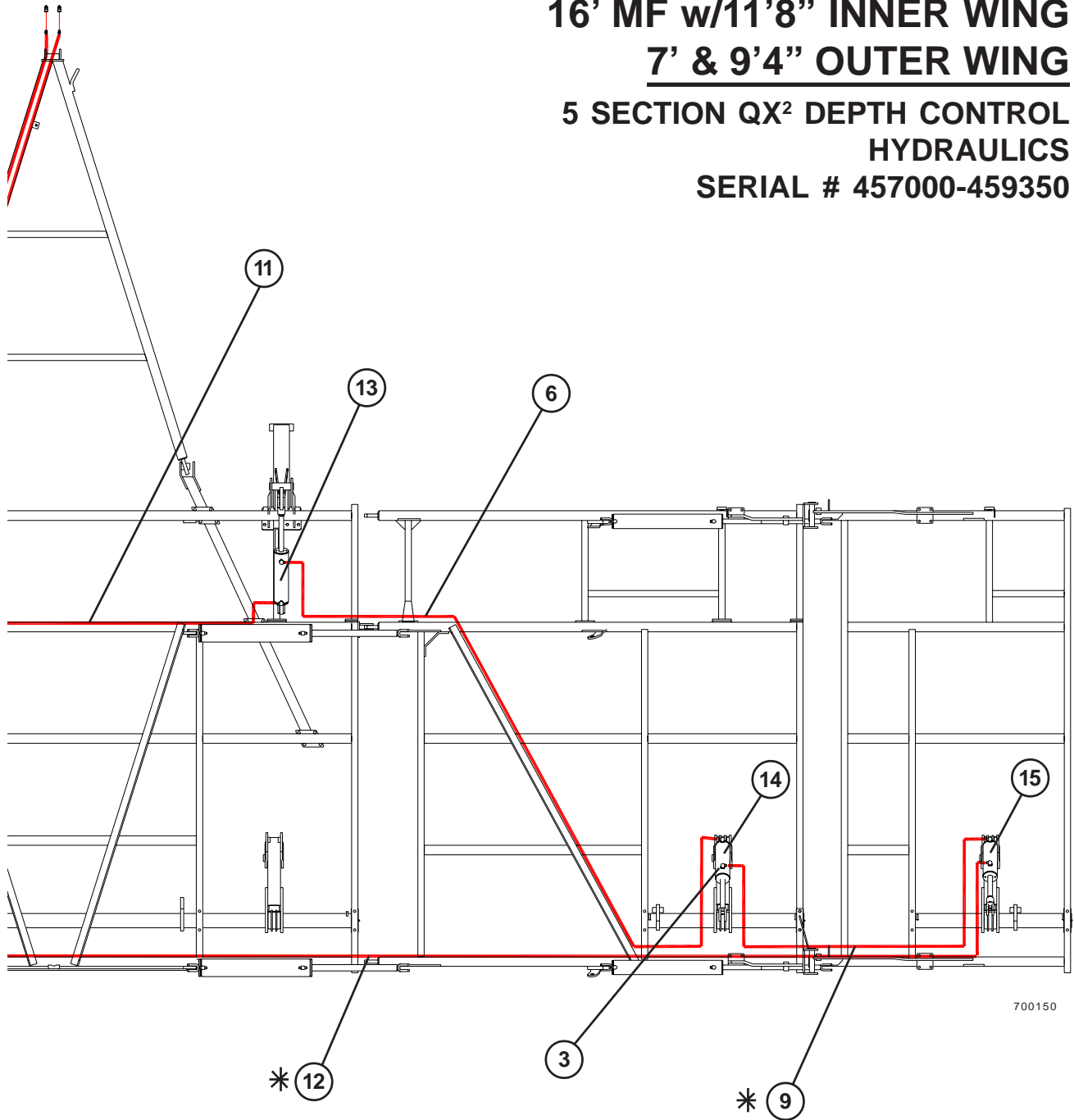
ITEM	PART NO	DESCRIPTION
1	60640	QUICK DISCONNECT COUPLER
2	13234	ADP 8MJ X 8MPT
3	25580	ELB 8MJ X 8MORB
4	13238	TEE 8MJ X 8MJ X 8MJ
5	234940	HYD HOSE 1/2"x216" FF
6	67576	HYD HOSE 3/8"x276" FF
7	13265	HYD HOSE 3/8"x56" FF
8	13484	HYD HOSE 3/8"x156" FF
9	13483	HYD HOSE 3/8"x120" FF
10	240604	HYD HOSE 3/8"x300" FF
11	233689	HYD HOSE 3/8"x180" FF
12	240611	HYD HOSE 3/8"x360" FF

ITEM	PART NO	DESCRIPTION
13	67683F1	HYD CYL 4"X12.56" BP FGS A519CY24
	239904	SEAL KIT 4" BP (FGS SK-ACXL4Q1S)
14	67688F1	HYD CYL 4"X10.8" BP FGAA519CY25
	239904	SEAL KIT 4" BP (FGS SK-ACXL4Q1S)
15	67687F1	HYD CYL 4"X9.3" BP FGS A519CY31
	239904	SEAL KIT 4" BP (FGS SK-ACXL4Q1S)
16	220061	1-1/2" CHANNEL LOCK 10"(NOT SHOWN)
17	42505	CYLINDER PIN KIT(NOT SHOWN)

**16' MF w/11'8" INNER WING  
7' & 9'4" OUTER WING**

**5 SECTION QX<sup>2</sup> DEPTH CONTROL  
HYDRAULICS**

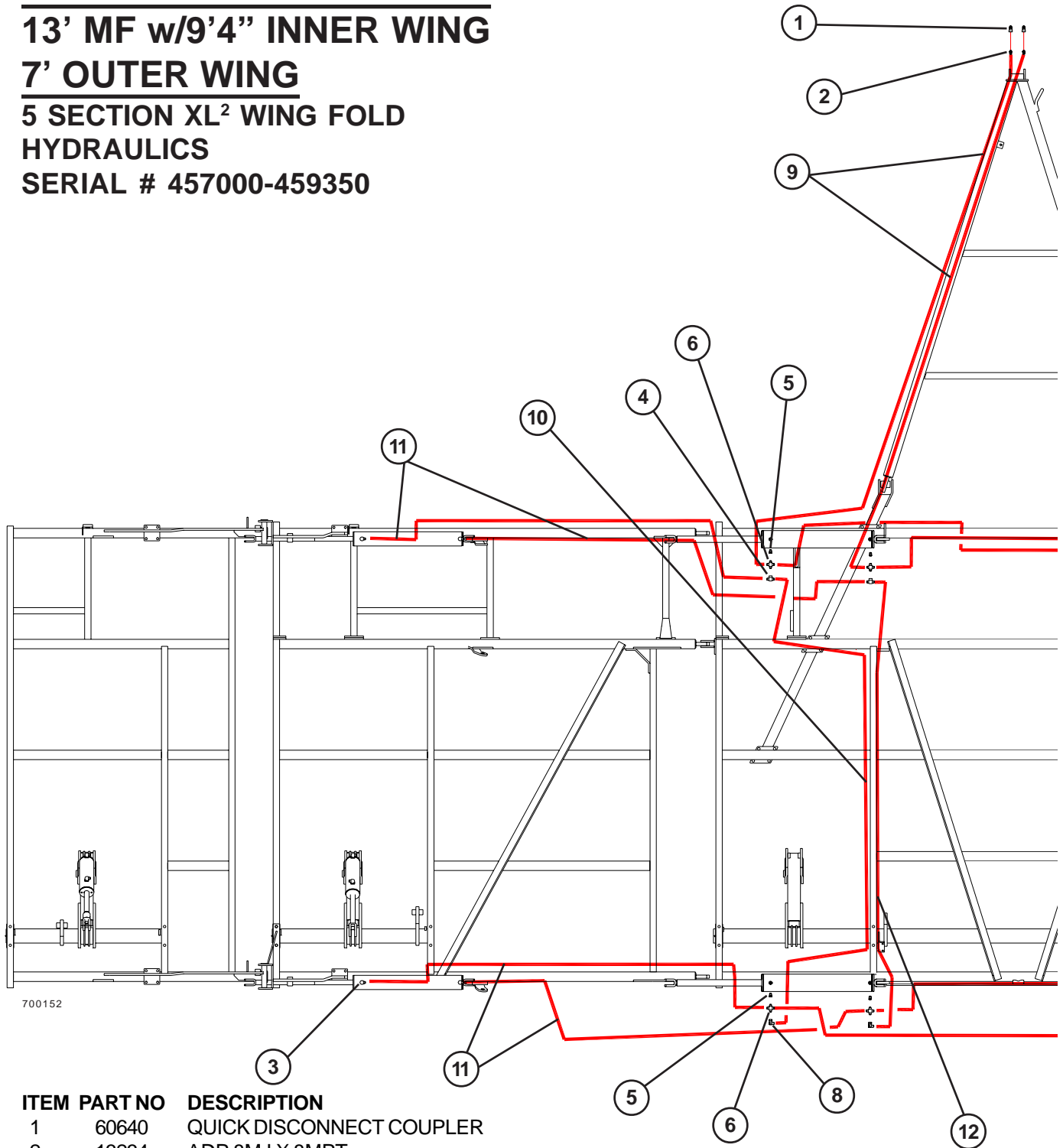
**SERIAL # 457000-459350**



700150



**13' MF w/9'4" INNER WING**  
**7' OUTER WING**  
**5 SECTION XL<sup>2</sup> WING FOLD**  
**HYDRAULICS**  
**SERIAL # 457000-459350**



700152

ITEM	PART NO	DESCRIPTION
1	60640	QUICK DISCONNECT COUPLER
2	13234	ADP 8MJ X 8MPT
3	25580	ELB 8MJ X 8MORB
4	69080	TEE 8MJ X 8MJ X 8FJX
5	24004	ADP 8MORB X 8FJX
6	15910	CROSS 8MJ x 8MJ x 8MJ x 8MJ
7	56534	TEE 8MJ x 8MJ x 8MORB
8	25591	ELB 8MJ X 8FJX
9	233688	HYD HOSE 3/8"x252" FF
10	240605	HYD HOSE 3/8"x216" FF
11	235388	HYD HOSE 3/8"x102" FF
12	13484	HYD HOSE 3/8"x156" FF
13	13268	HYD HOSE 3/8"x78" FF

ITEM	PART NO	DESCRIPTION
14	20966F	HYD CYL 5X30 FGS #A519CY07
	233731	SEAL KIT 5IN (FGS-SK-ACBX5Q2Q)
15	51229F	HYD CYL 4X30 FGS #A519CY02
	233730	SEAL KIT 4IN (FGS-SK-ACBS4Q1S)

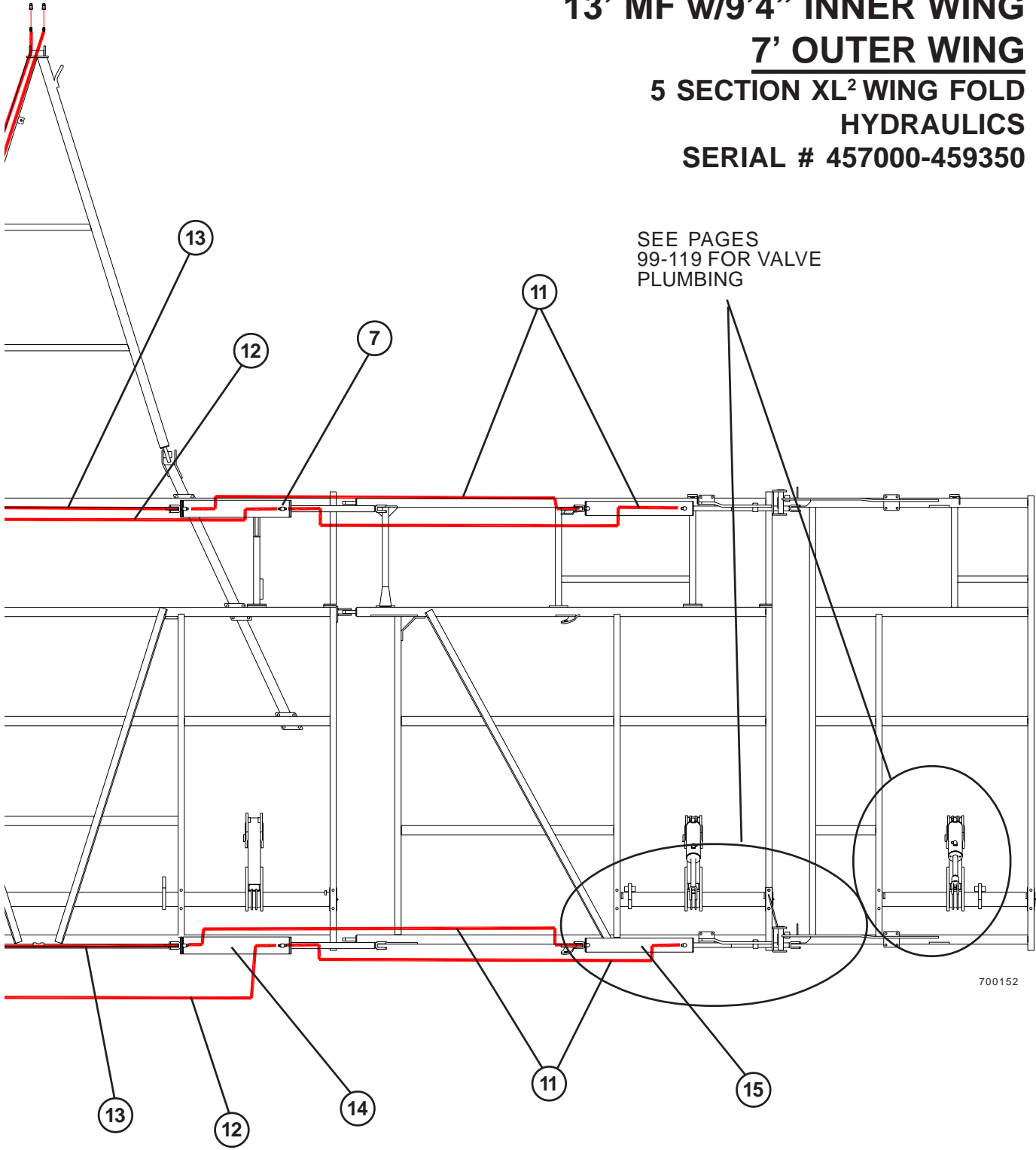
**13' MF w/9'4" INNER WING**

**7' OUTER WING**

**5 SECTION XL<sup>2</sup> WING FOLD**

**HYDRAULICS**

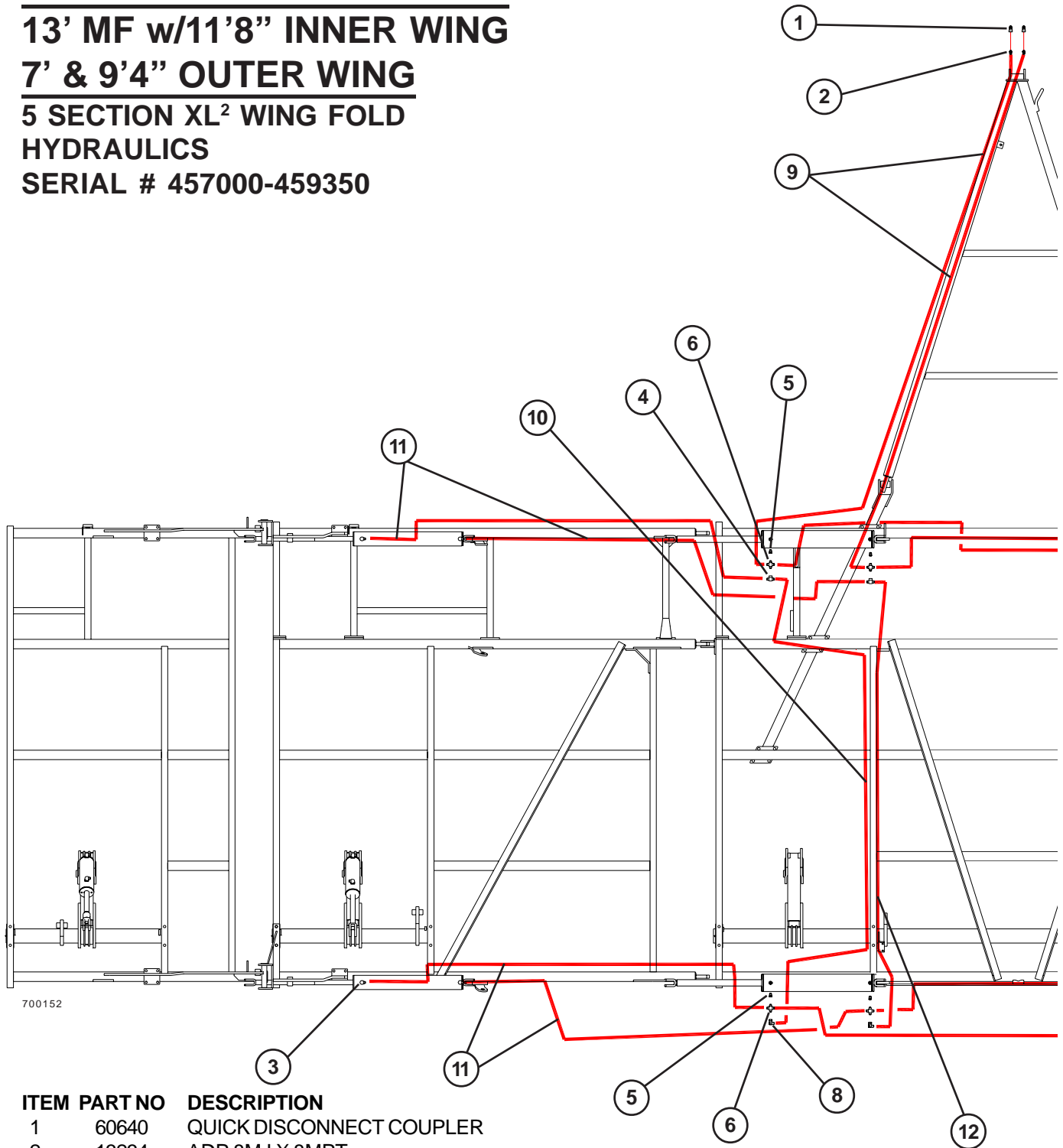
**SERIAL # 457000-459350**



SEE PAGES  
99-119 FOR VALVE  
PLUMBING

700152

**13' MF w/11'8" INNER WING**  
**7' & 9'4" OUTER WING**  
**5 SECTION XL<sup>2</sup> WING FOLD**  
**HYDRAULICS**  
**SERIAL # 457000-459350**

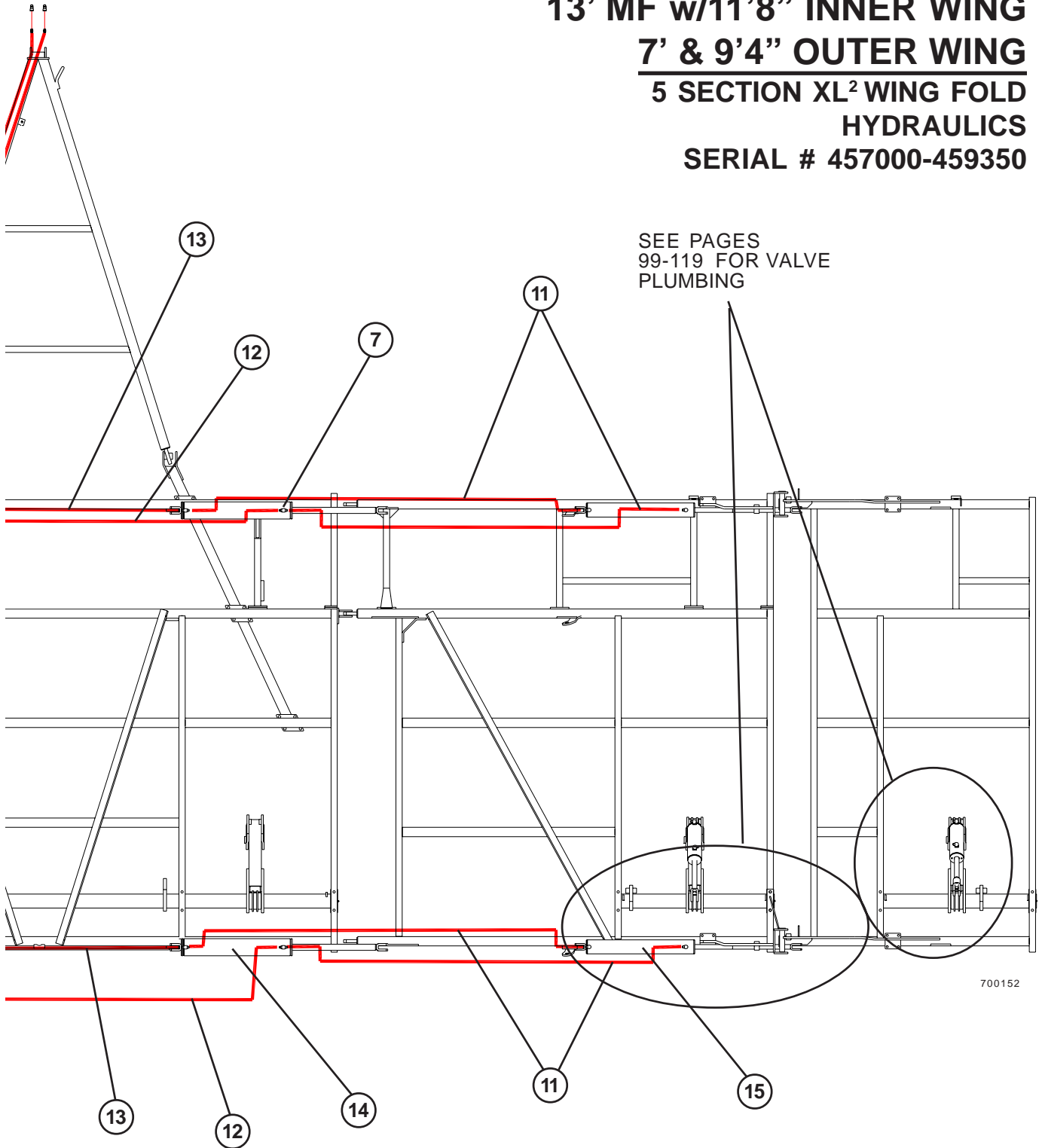


700152

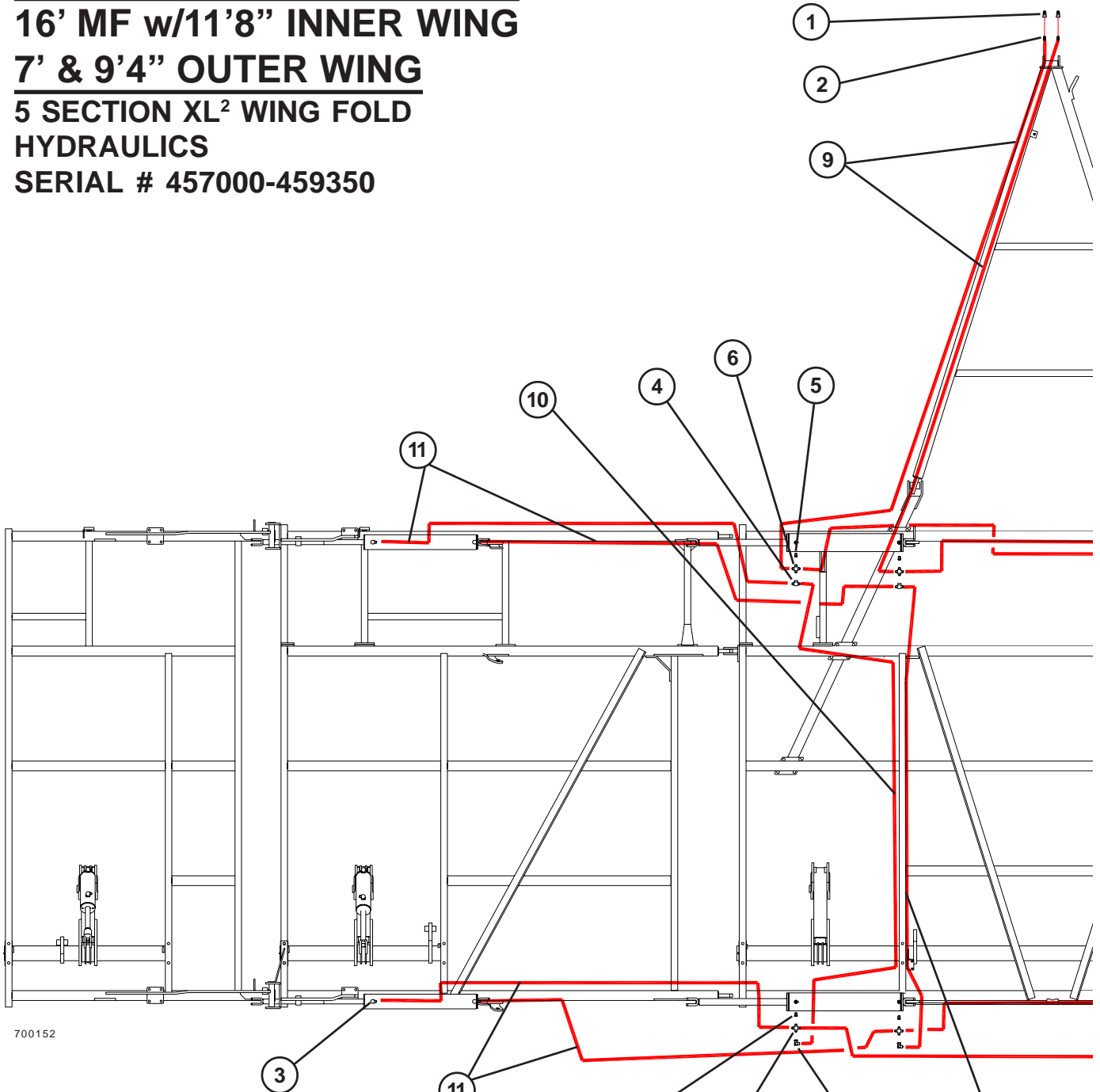
ITEM	PART NO	DESCRIPTION
1	60640	QUICK DISCONNECT COUPLER
2	13234	ADP 8MJ X 8MPT
3	25580	ELB 8MJ X 8MORB
4	69080	TEE 8MJ X 8MJ X 8FJX
5	24004	ADP 8MORB X 8FJX
6	15910	CROSS 8MJ x 8MJ x 8MJ x 8MJ
7	56534	TEE 8MJ x 8MJ x 8MORB
8	25591	ELB 8MJ X 8FJX
9	233688	HYD HOSE 3/8"x252" FF
10	240605	HYD HOSE 3/8"x216" FF
11	235386	HYD HOSE 3/8"x137" FF
12	13484	HYD HOSE 3/8"x156" FF
13	13268	HYD HOSE 3/8"x78" FF

ITEM	PART NO	DESCRIPTION
14	20966F	HYD CYL 5X30 FGS #A519CY07
	233731	SEAL KIT 5IN (FGS-SK-ACBX5Q2Q)
15	51229F	HYD CYL 4X30 FGS #A519CY02
	233730	SEAL KIT 4IN (FGS-SK-ACBS4Q1S)

**13' MF w/11'8" INNER WING**  
**7' & 9'4" OUTER WING**  
**5 SECTION XL<sup>2</sup> WING FOLD**  
**HYDRAULICS**  
**SERIAL # 457000-459350**



**16' MF w/11'8" INNER WING**  
**7' & 9'4" OUTER WING**  
**5 SECTION XL<sup>2</sup> WING FOLD**  
**HYDRAULICS**  
**SERIAL # 457000-459350**

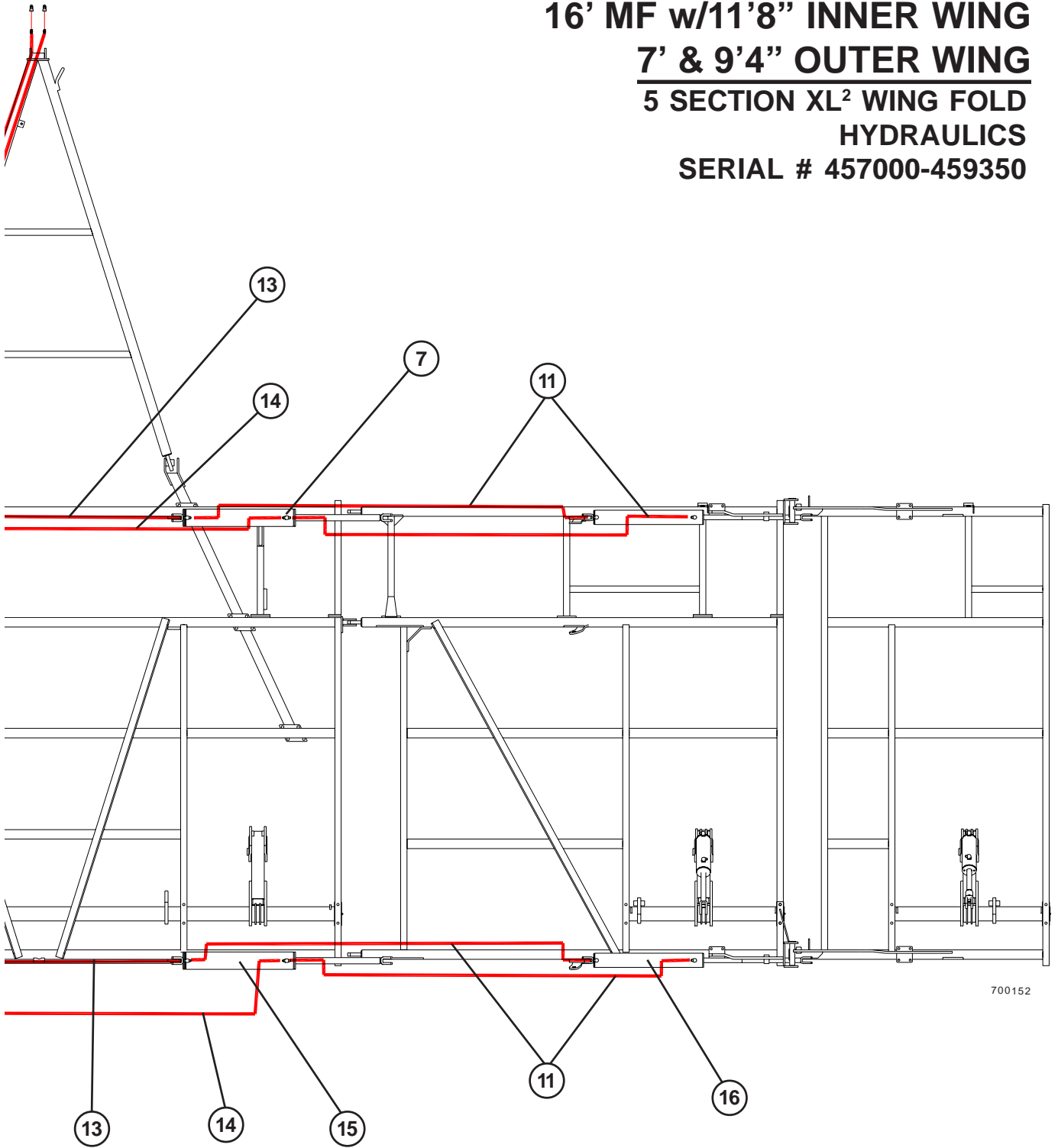


700152

ITEM	PART NO	DESCRIPTION
1	60640	QUICK DISCONNECT COUPLER
2	13234	ADP 8MJ X 8MPT
3	25580	ELB 8MJ X 8MORB
4	69080	TEE 8MJ X 8MJ X 8FJX
5	24004	ADP 8MORB X 8FJX
6	15910	CROSS 8MJ x 8MJ x 8MJ x 8MJ
7	56534	TEE 8MJ x 8MJ x 8MORB
8	25591	ELB 8MJ X 8FJX
9	233688	HYD HOSE 3/8"x252" FF
10	240605	HYD HOSE 3/8"x216" FF
11	235386	HYD HOSE 3/8"x137" FF
12	13484	HYD HOSE 3/8"x156" FF

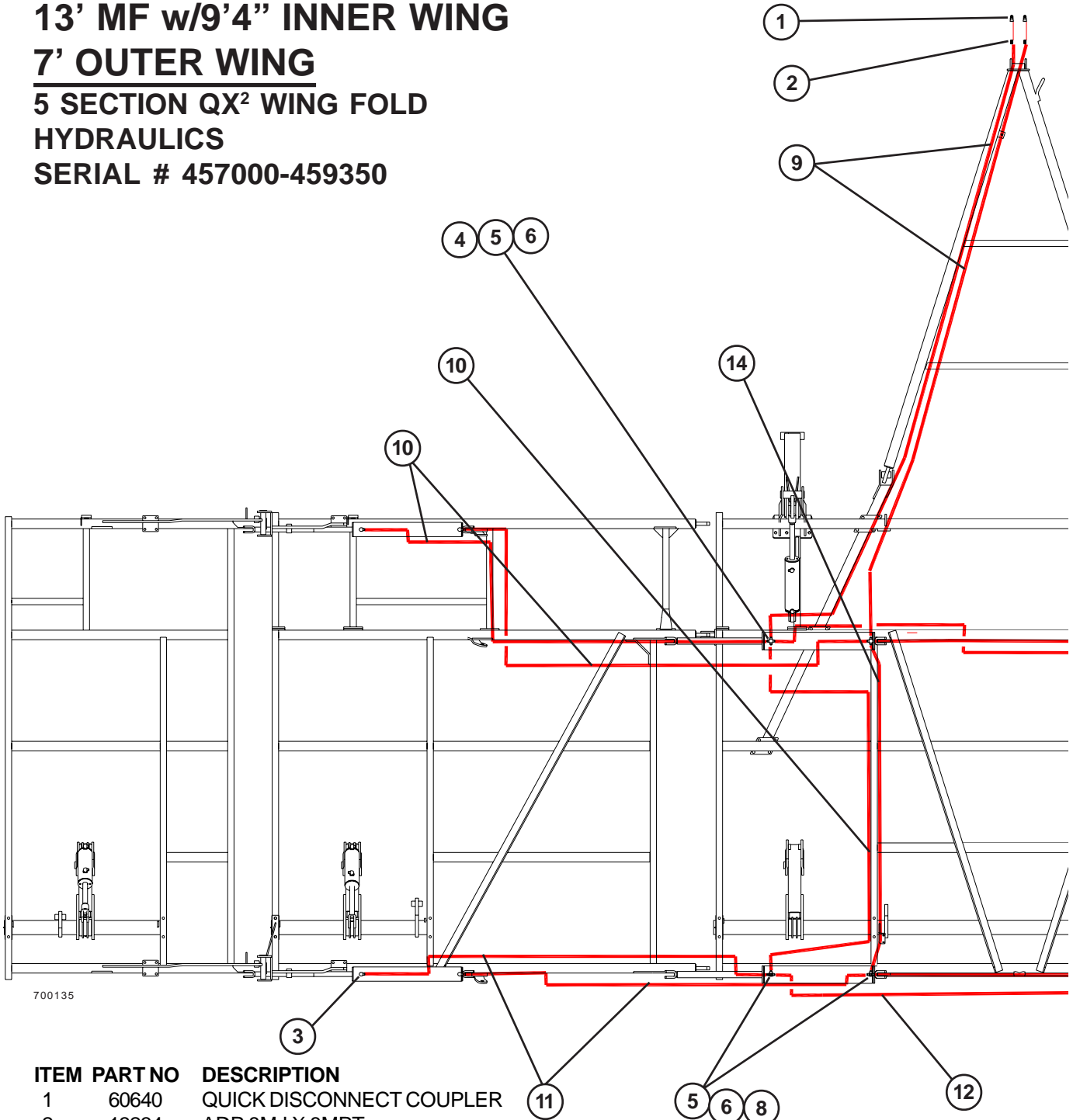
ITEM	PART NO	DESCRIPTION
13	235388	HYD HOSE 3/8"x102" FF
14	235387	HYD HOSE 3/8"x168" FF
15	20966F	HYD CYL 5X30 FGS #A519CY07
	233731	SEAL KIT 5IN (FGS-SK-ACBX5Q2Q)
16	51229F	HYD CYL 4X30 FGS #A519CY02
	233730	SEAL KIT 4IN (FGS-SK-ACBS4Q1S)

**16' MF w/11'8" INNER WING**  
**7' & 9'4" OUTER WING**  
**5 SECTION XL<sup>2</sup> WING FOLD**  
**HYDRAULICS**  
**SERIAL # 457000-459350**





**13' MF w/9'4" INNER WING**  
**7' OUTER WING**  
**5 SECTION QX<sup>2</sup> WING FOLD**  
**HYDRAULICS**  
**SERIAL # 457000-459350**



ITEM	PART NO	DESCRIPTION
1	60640	QUICK DISCONNECT COUPLER
2	13234	ADP 8MJ X 8MPT
3	25580	ELB 8MJ X 8MORB
4	69080	TEE 8MJ X 8MJ X 8FJX
5	24004	ADP 8MORB X 8FJX
6	15910	CROSS 8MJ x 8MJ x 8MJ x 8MJ
7	56534	TEE 8MJ x 8MJ x 8MORB
8	25591	ELB 8MJ X 8FJX
9	233688	HYD HOSE 3/8"x252" FF
10	13484	HYD HOSE 3/8"x156" FF
11	13483	HYD HOSE 3/8"x120" FF
12	13484	HYD HOSE 3/8"x156" FF
13	13268	HYD HOSE 3/8"x78" FF
14	13483	HYD HOSE 3/8"x120" FF

ITEM	PART NO	DESCRIPTION
15	20966F	HYD CYL 5X30 FGS #A519CY07
	233731	SEAL KIT 5IN (FGS-SK-ACBX5Q2Q)
16	51229F	HYD CYL 4X30 FGS #A519CY02
	233730	SEAL KIT 4IN (FGS-SK-ACBS4Q1S)

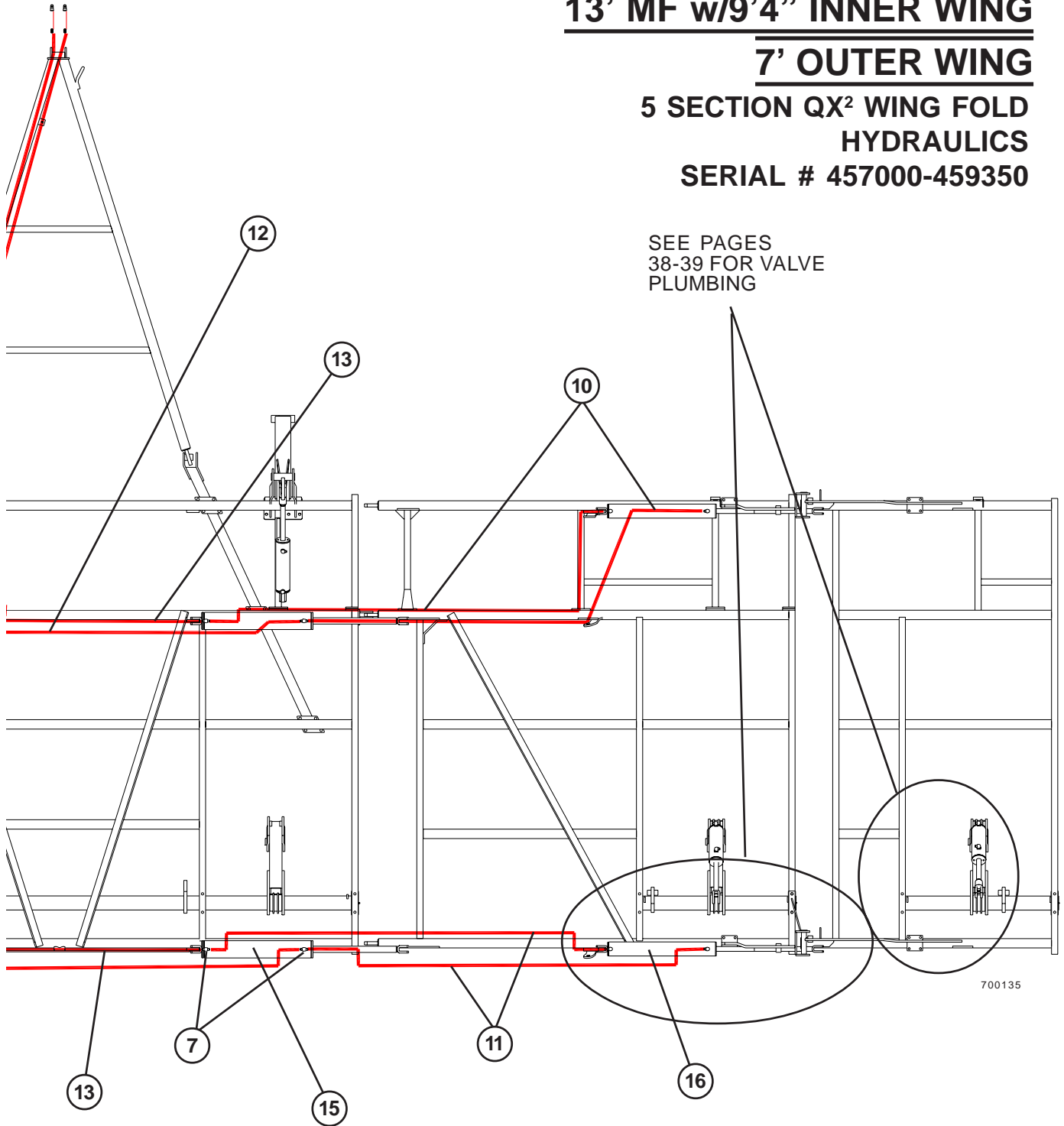
**13' MF w/9'4" INNER WING**

**7' OUTER WING**

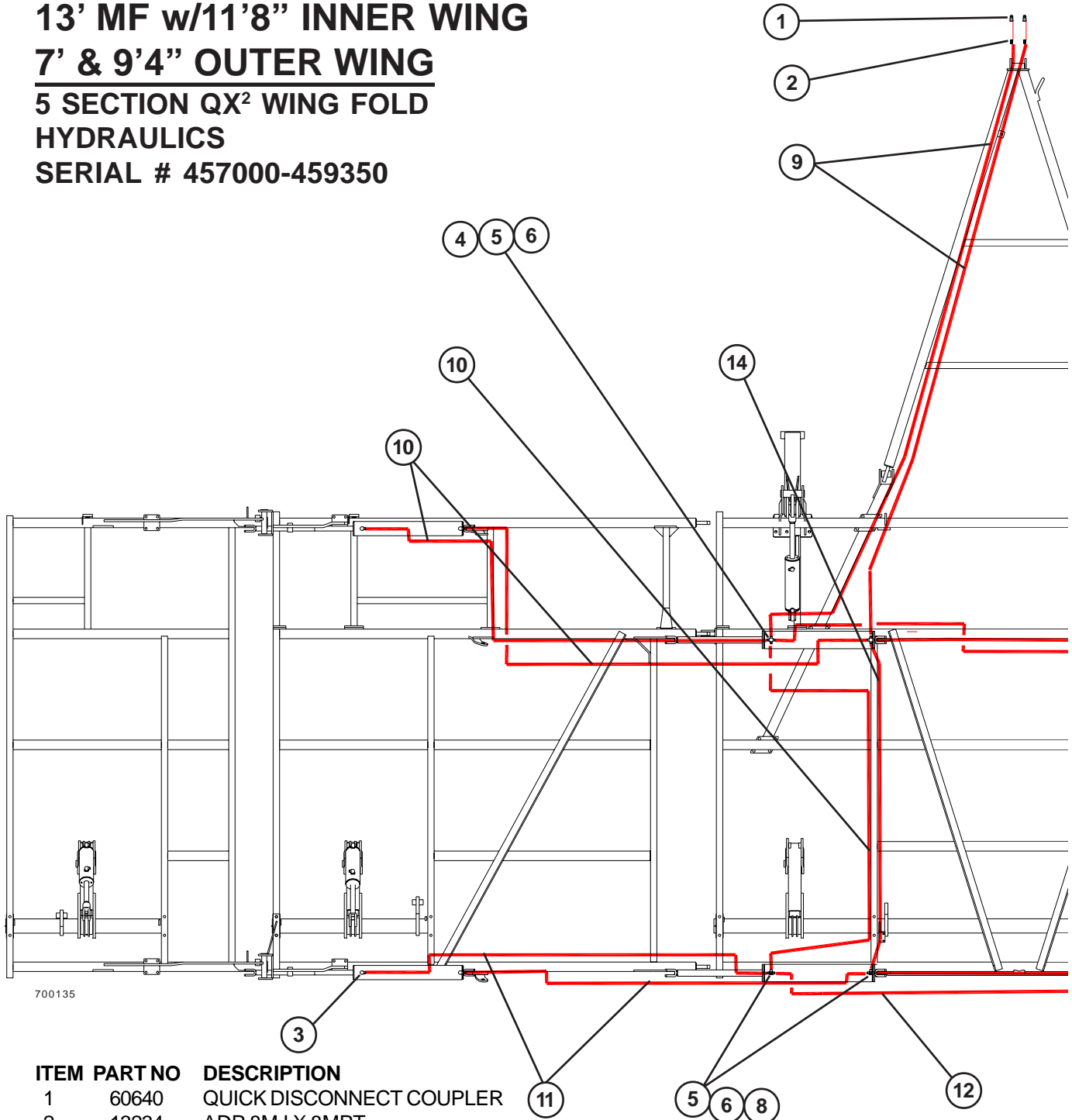
**5 SECTION QX<sup>2</sup> WING FOLD**

**HYDRAULICS**

**SERIAL # 457000-459350**



**13' MF w/11'8" INNER WING**  
**7' & 9'4" OUTER WING**  
**5 SECTION QX<sup>2</sup> WING FOLD**  
**HYDRAULICS**  
**SERIAL # 457000-459350**

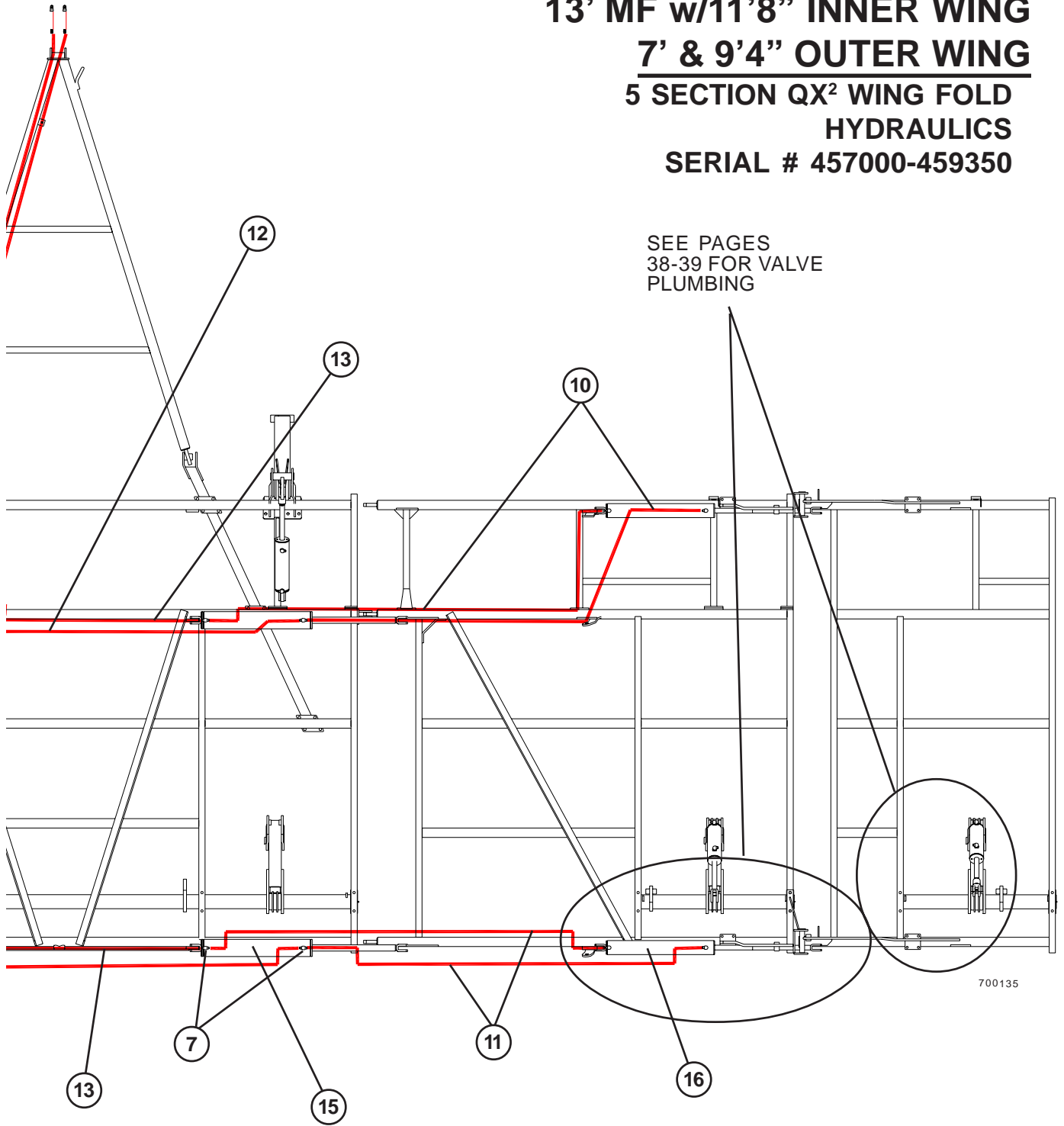


700135

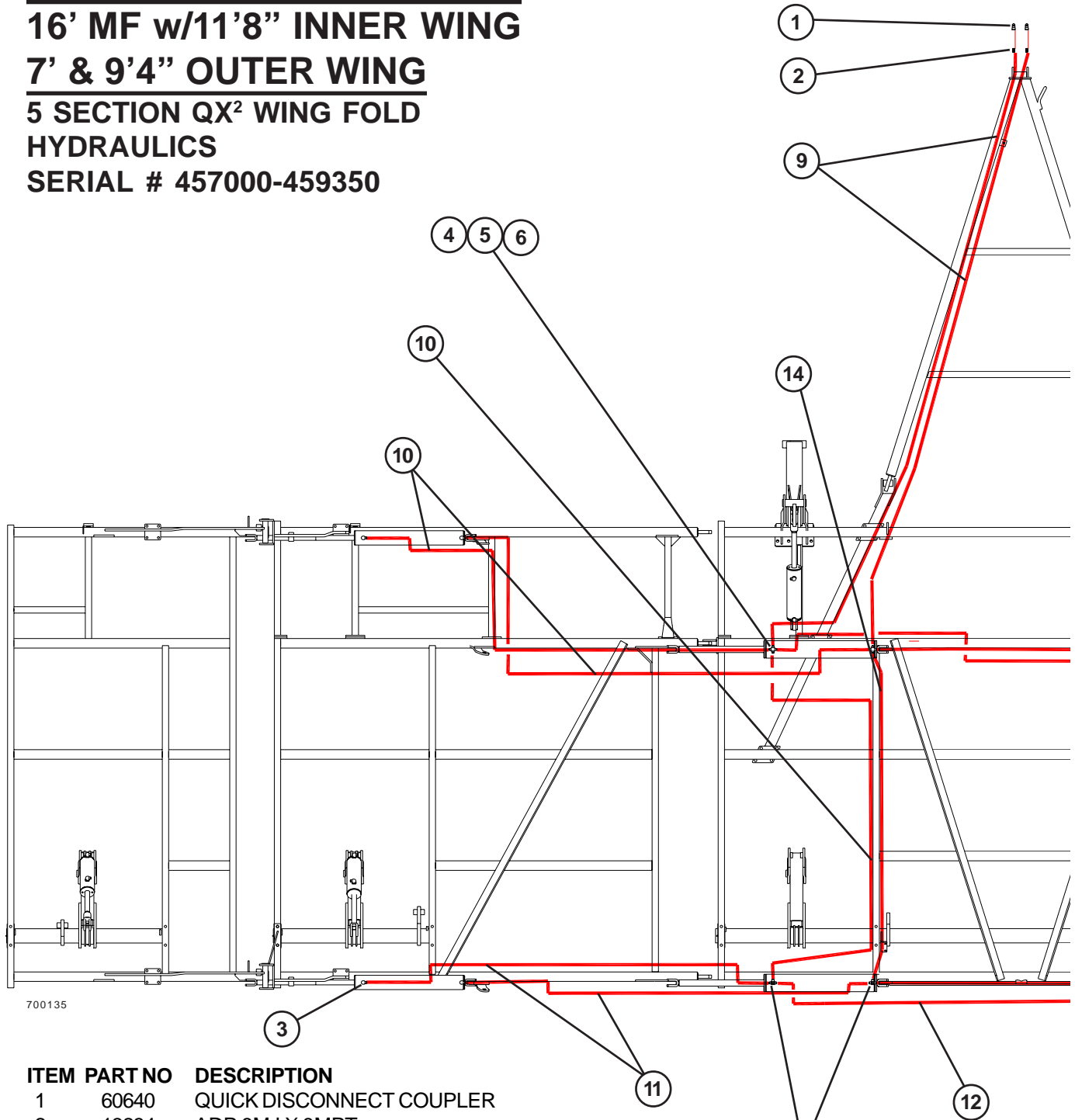
ITEM	PART NO	DESCRIPTION
1	60640	QUICK DISCONNECT COUPLER
2	13234	ADP 8MJ X 8MPT
3	25580	ELB 8MJ X 8MORB
4	69080	TEE 8MJ X 8MJ X 8FJX
5	24004	ADP 8MORB X 8FJX
6	15910	CROSS 8MJ x 8MJ x 8MJ x 8MJ
7	56534	TEE 8MJ x 8MJ x 8MORB
8	25591	ELB 8MJ X 8FJX
9	233688	HYD HOSE 3/8"x252" FF
10	233689	HYD HOSE 3/8"x180" FF
11	235386	HYD HOSE 3/8"x137" FF
12	13484	HYD HOSE 3/8"x156" FF
13	13268	HYD HOSE 3/8"x78" FF
14	13483	HYD HOSE 3/8"x120" FF

ITEM	PART NO	DESCRIPTION
15	20966F	HYD CYL 5X30 FGS #A519CY07
	233731	SEAL KIT 5IN (FGS-SK-ACBX5Q2Q)
16	51229F	HYD CYL 4X30 FGS #A519CY02
	233730	SEAL KIT 4IN (FGS-SK-ACBS4Q1S)

**13' MF w/11'8" INNER WING  
7' & 9'4" OUTER WING  
5 SECTION QX<sup>2</sup> WING FOLD  
HYDRAULICS  
SERIAL # 457000-459350**



**16' MF w/11'8" INNER WING**  
**7' & 9'4" OUTER WING**  
**5 SECTION QX<sup>2</sup> WING FOLD**  
**HYDRAULICS**  
**SERIAL # 457000-459350**

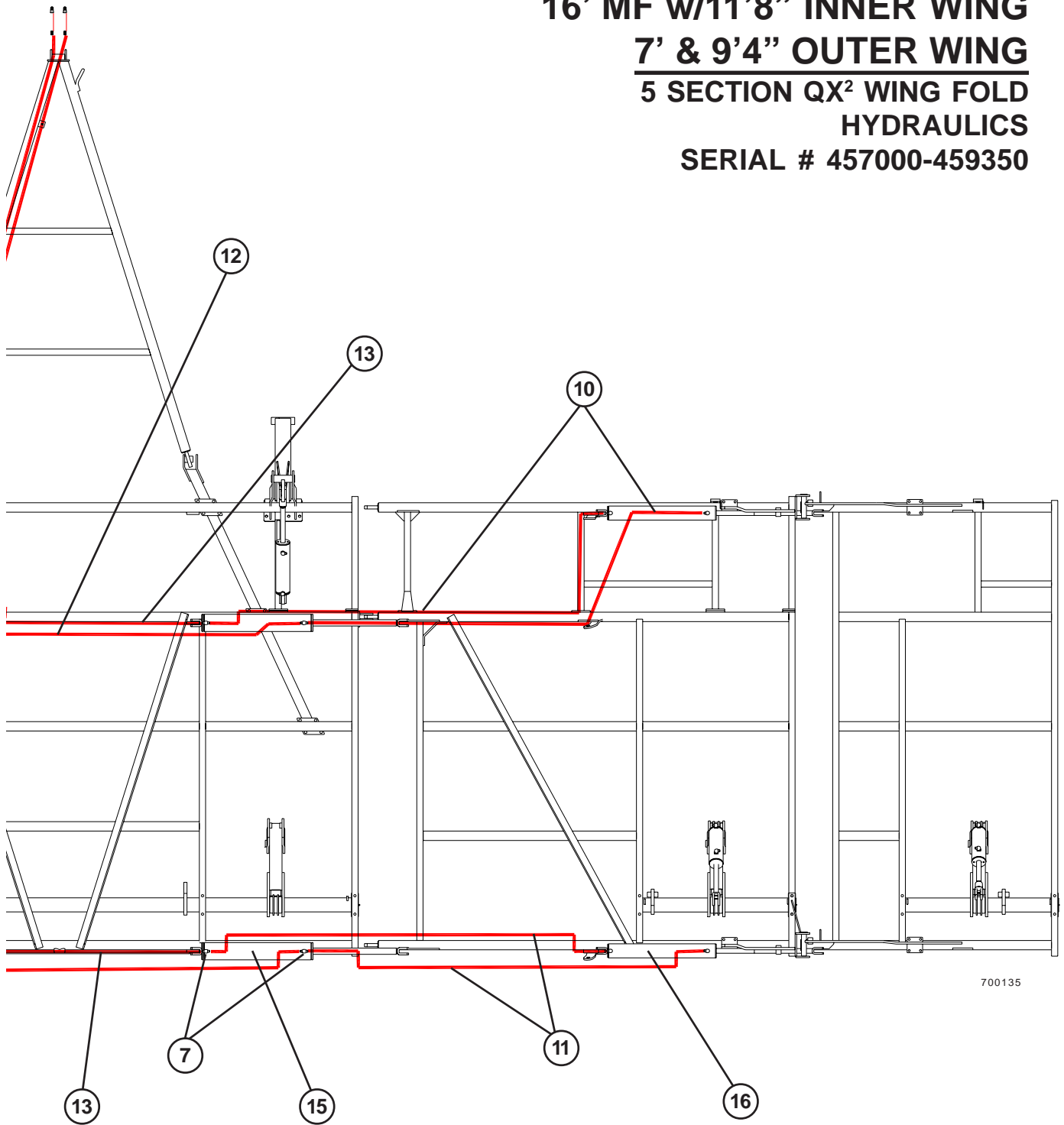


700135

ITEM	PART NO	DESCRIPTION
1	60640	QUICK DISCONNECT COUPLER
2	13234	ADP 8MJ X 8MPT
3	25580	ELB 8MJ X 8MORB
4	69080	TEE 8MJ X 8MJ X 8FJX
5	24004	ADP 8MORB X 8FJX
6	15910	CROSS 8MJ x 8MJ x 8MJ x 8MJ
7	56534	TEE 8MJ x 8MJ x 8MORB
8	25591	ELB 8MJ X 8FJX
9	233688	HYD HOSE 3/8"x252" FF
10	233689	HYD HOSE 3/8"x180" FF
11	235386	HYD HOSE 3/8"x137" FF
12	235387	HYD HOSE 3/8"x168" FF
13	235388	HYD HOSE 3/8"x102" FF
14	13483	HYD HOSE 3/8"x120" FF

ITEM	PART NO	DESCRIPTION
15	20966F	HYD CYL 5X30 FGS #A519CY07
	233731	SEAL KIT 5IN (FGS-SK-ACBX5Q2Q)
16	51229F	HYD CYL 4X30 FGS #A519CY02
	233730	SEAL KIT 4IN (FGS-SK-ACBS4Q1S)

**16' MF w/11'8" INNER WING**  
**7' & 9'4" OUTER WING**  
**5 SECTION QX<sup>2</sup> WING FOLD**  
**HYDRAULICS**  
**SERIAL # 457000-459350**

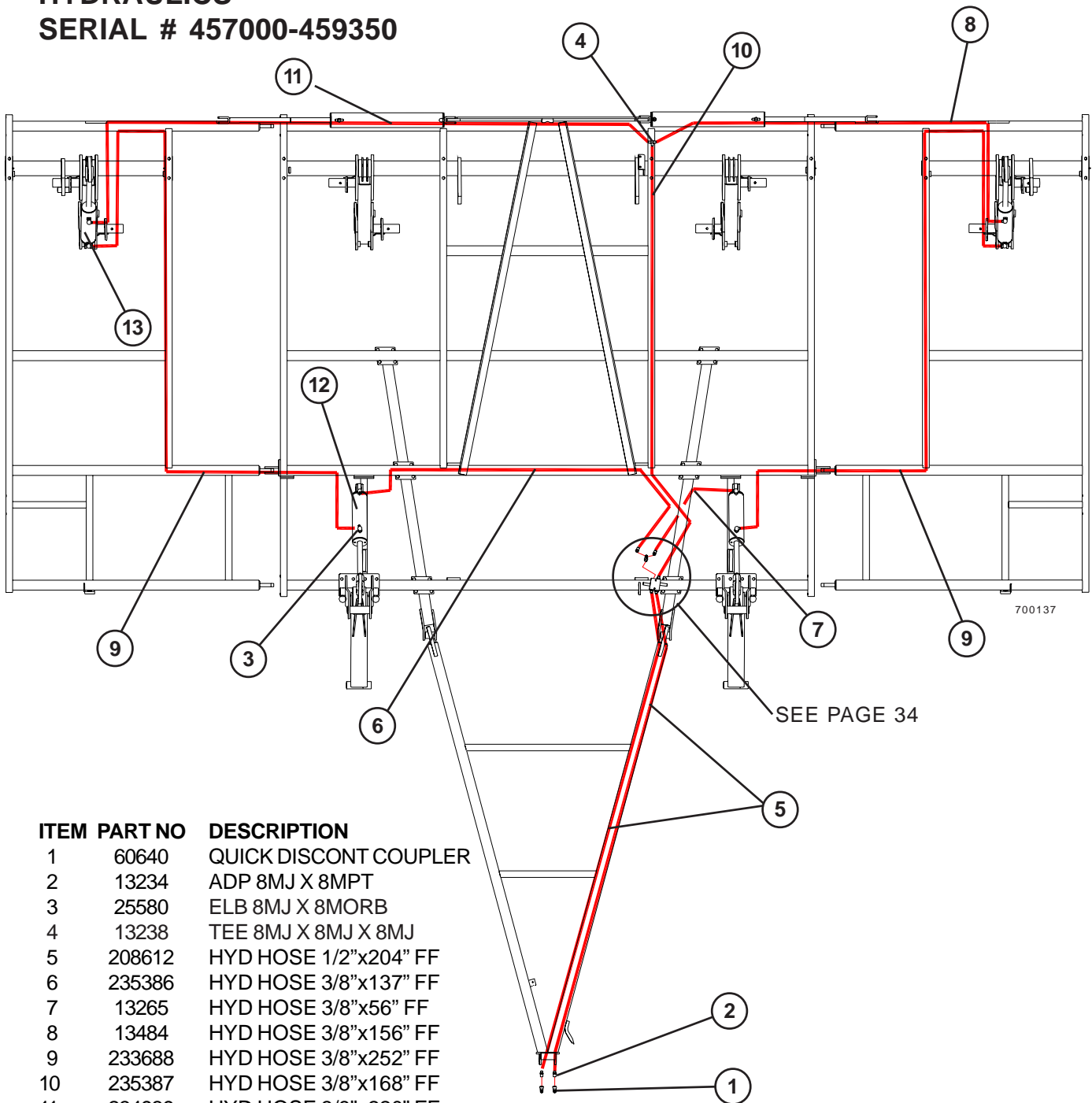




# 13' MF w/7' WING

## QX<sup>2</sup> DEPTH CONTROL HYDRAULICS

SERIAL # 457000-459350

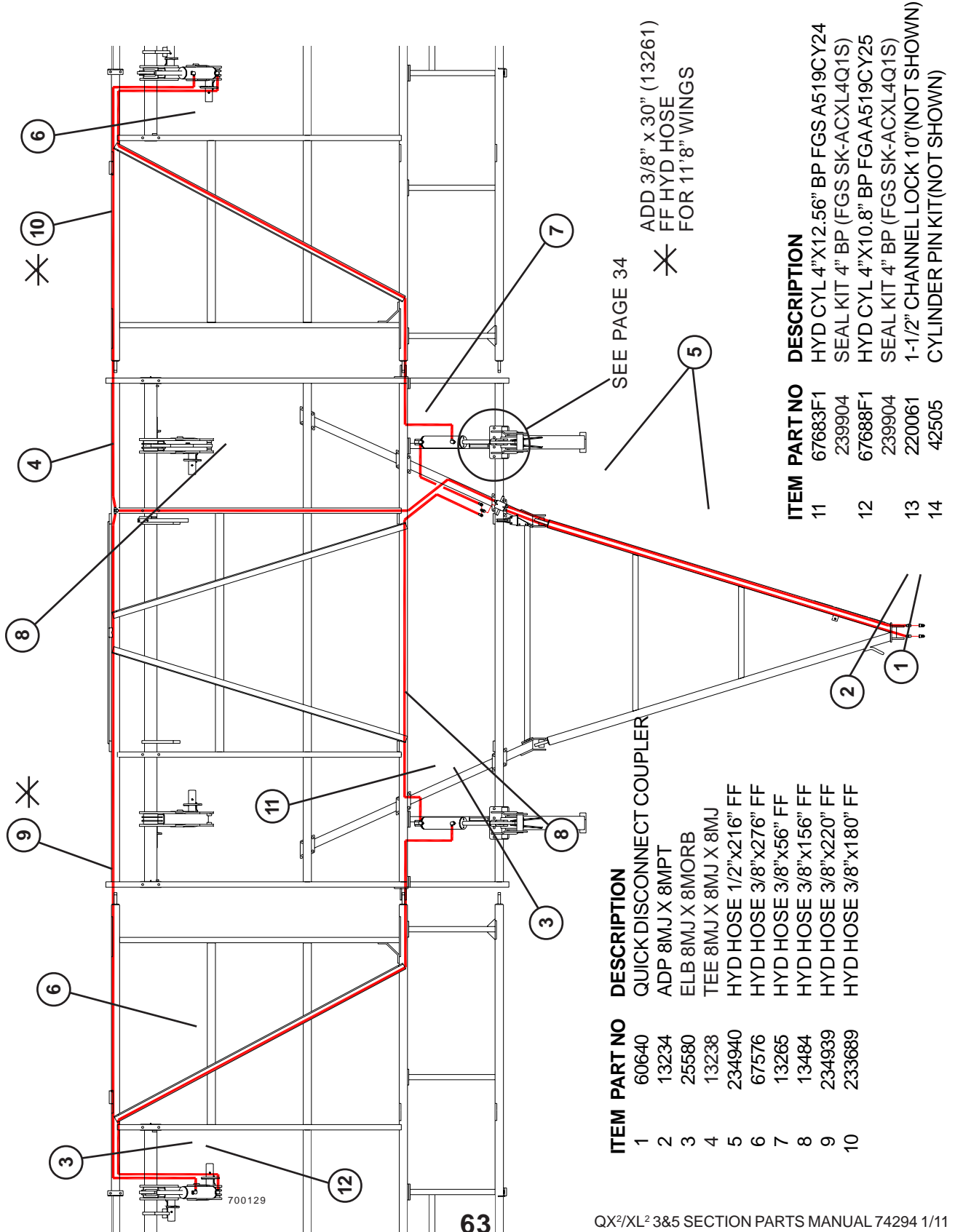


ITEM	PART NO	DESCRIPTION
1	60640	QUICK DISCONT COUPLER
2	13234	ADP 8MJ X 8MPT
3	25580	ELB 8MJ X 8MORB
4	13238	TEE 8MJ X 8MJ X 8MJ
5	208612	HYD HOSE 1/2"x204" FF
6	235386	HYD HOSE 3/8"x137" FF
7	13265	HYD HOSE 3/8"x56" FF
8	13484	HYD HOSE 3/8"x156" FF
9	233688	HYD HOSE 3/8"x252" FF
10	235387	HYD HOSE 3/8"x168" FF
11	234939	HYD HOSE 3/8"x220" FF
12	67683F1	HYD CYL 4"X12.56" BP FGS A519CY24
	239904	SEAL KIT 4" BP (FGS SK-ACXL4Q1S)
13	67688F1	HYD CYL 4"X10.8" BP FGAA519CY25
	239904	SEAL KIT 4" BP (FGS SK-ACXL4Q1S)
14	220061	1-1/2" CHANNEL LOCK 10"(NOT SHOWN)
15	42505	CYLINDER PIN KIT(NOT SHOWN)

# 13' MF w/9' 4" & 11' 8" WING

## QX<sup>2</sup> DEPTH CONTROL HYDRAULICS

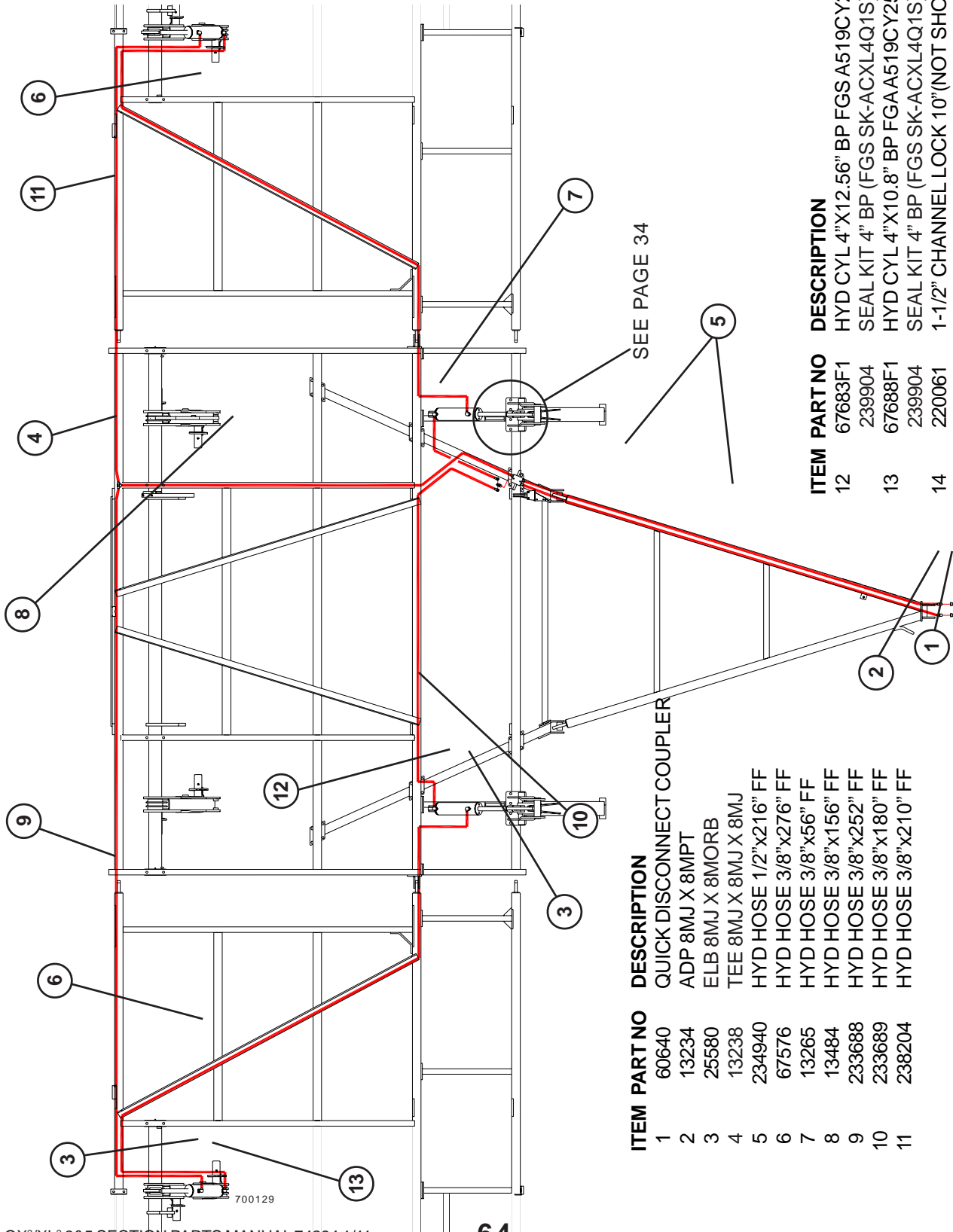
SERIAL # 457000-459350



# 16FT MF w/11' 8" WING

## QX<sup>2</sup> DEPTH CONTROL HYDRAULICS

SERIAL # 457000-459350



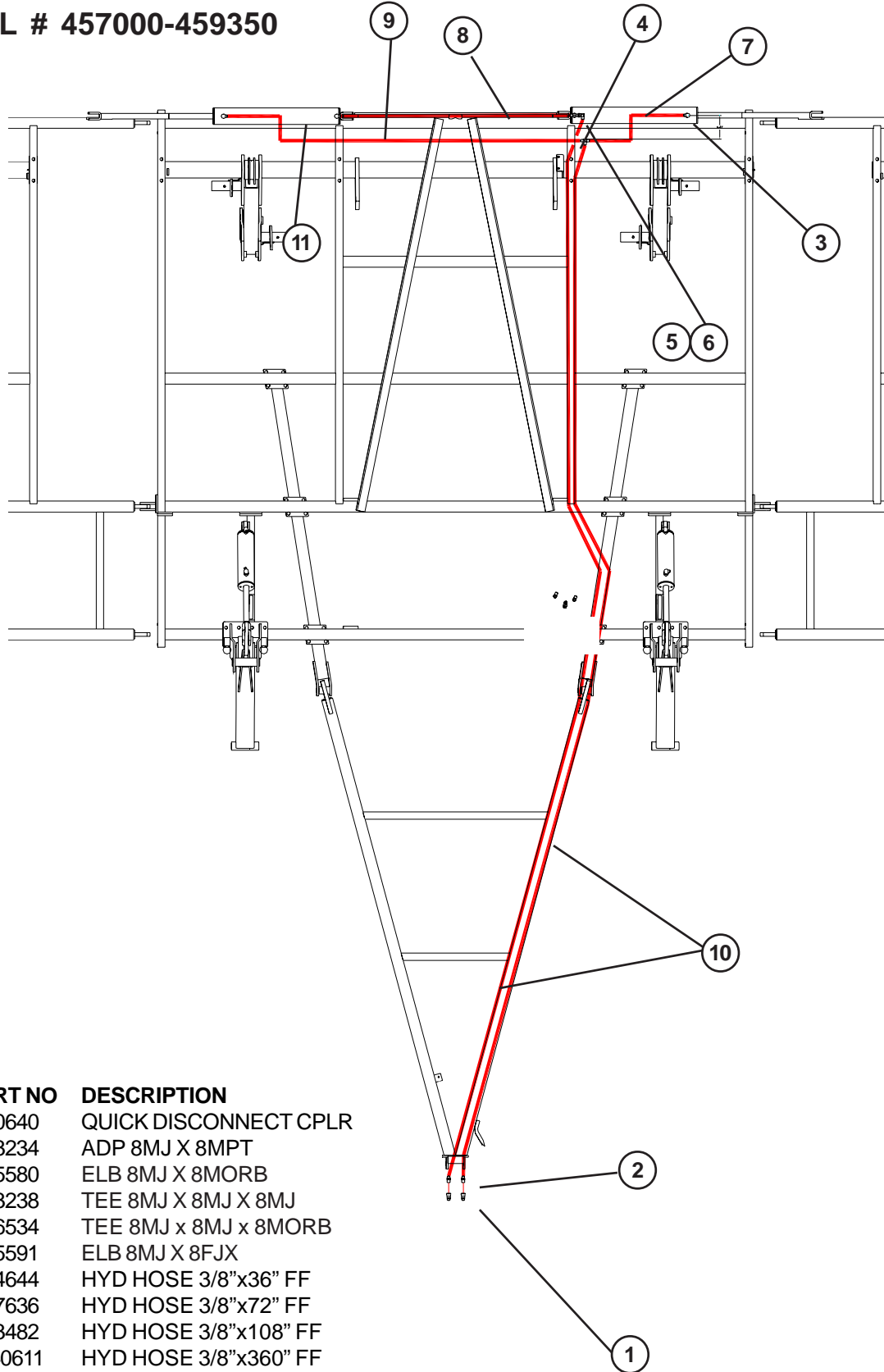
ITEM	PART NO	DESCRIPTION
12	67683F1	HYD CYL 4"X12.56" BP FGS A519CY24
	239904	SEAL KIT 4" BP (FGS SK-ACXL4Q1S)
13	67688F1	HYD CYL 4"X10.8" BP FGA A519CY25
	239904	SEAL KIT 4" BP (FGS SK-ACXL4Q1S)
14	220061	1-1/2" CHANNEL LOCK 10"(NOT SHOWN)
15	42505	CYLINDER PIN KIT(NOT SHOWN)

ITEM	PART NO	DESCRIPTION
1	60640	QUICK DISCONNECT COUPLER
2	13234	ADP 8MJ X 8MPT
3	25580	ELB 8MJ X 8MORB
4	13238	TEE 8MJ X 8MJ X 8MJ
5	234940	HYD HOSE 1/2"x216" FF
6	67576	HYD HOSE 3/8"x276" FF
7	13265	HYD HOSE 3/8"x56" FF
8	13484	HYD HOSE 3/8"x156" FF
9	233688	HYD HOSE 3/8"x252" FF
10	233689	HYD HOSE 3/8"x180" FF
11	238204	HYD HOSE 3/8"x210" FF

# 13' MF W/7' WING

## QX<sup>2</sup> WING FOLD HYDRAULICS

SERIAL # 457000-459350



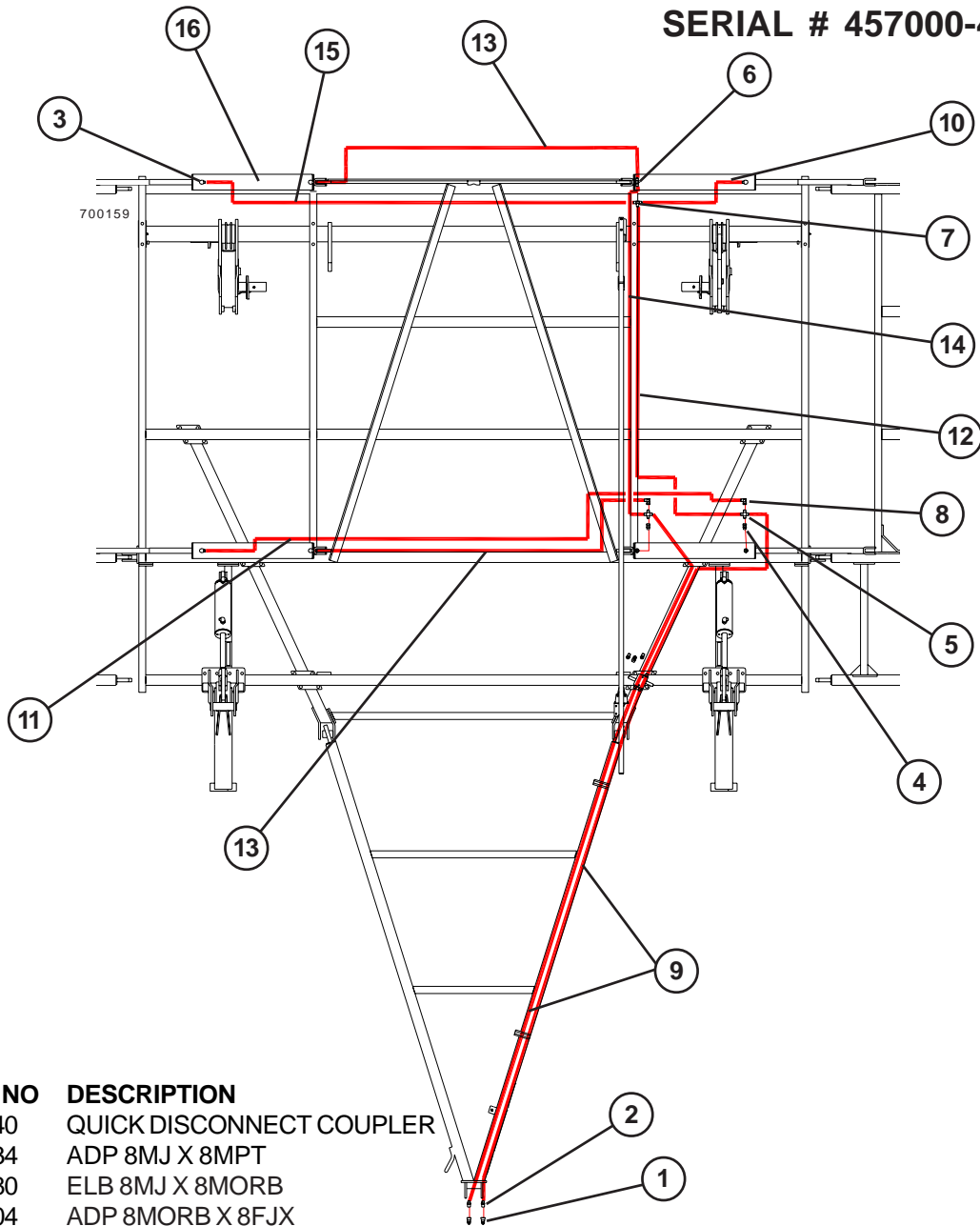
700138

ITEM	PART NO	DESCRIPTION
1	60640	QUICK DISCONNECT CPLR
2	13234	ADP 8MJ X 8MPT
3	25580	ELB 8MJ X 8MORB
4	13238	TEE 8MJ X 8MJ X 8MJ
5	56534	TEE 8MJ x 8MJ x 8MORB
6	25591	ELB 8MJ X 8FJX
7	14644	HYD HOSE 3/8"x36" FF
8	67636	HYD HOSE 3/8"x72" FF
9	13482	HYD HOSE 3/8"x108" FF
10	240611	HYD HOSE 3/8"x360" FF
11	51229F	HYD CYL 4X30 FGS #A519CY02
	233730	SEAL KIT 4IN (FGS-SK-ACBS4Q1S)

# 13' MF w/9' 4" & 11' 8" WINGS

## QX<sup>2</sup> WING FOLD HYDRAULICS

SERIAL # 457000-459350



ITEM	PART NO	DESCRIPTION
1	60640	QUICK DISCONNECT COUPLER
2	13234	ADP 8MJ X 8MPT
3	25580	ELB 8MJ X 8MORB
4	24004	ADP 8MORB X 8FJX
5	15910	CROSS 8MJ x 8MJ x 8MJ x 8MJ
6	56534	TEE 8MJ x 8MJ x 8MORB
7	13238	TEE 8MJ x 8MJ x 8MJ
8	25591	ELB 8MJ X 8FJX
9	233688	HYD HOSE 3/8"x252" FF
10	14644	HYD HOSE 3/8"x36" FF
11	235386	HYD HOSE 3/8"x137" FF
12	13484	HYD HOSE 3/8"x156" FF
13	13268	HYD HOSE 3/8"x78" FF
14	13483	HYD HOSE 3/8"x120" FF
15	235388	HYD HOSE 3/8"x102" FF
16	51229F	HYD CYL 4X30 FGS #A519CY02
	233730	SEAL KIT 4IN (FGS-SK-ACBS4Q1S)

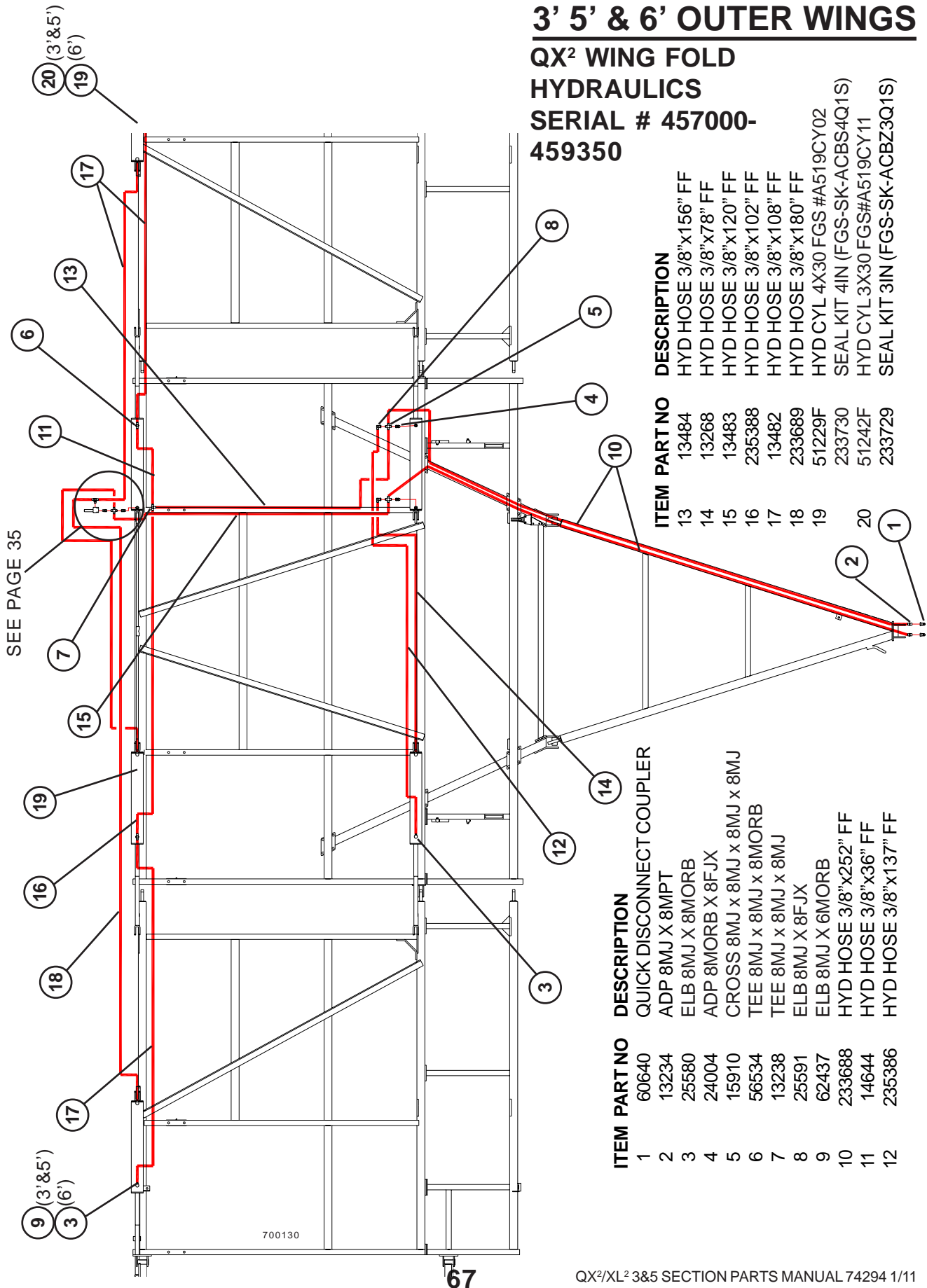
# 13' MF w/9' 4" INNER WING

## 3' 5' & 6' OUTER WINGS

### QX<sup>2</sup> WING FOLD

### HYDRAULICS

SERIAL # 457000-459350



#### ITEM PART NO DESCRIPTION

13	13484	HYD HOSE 3/8"x156" FF
14	13268	HYD HOSE 3/8"x78" FF
15	13483	HYD HOSE 3/8"x120" FF
16	235388	HYD HOSE 3/8"x102" FF
17	13482	HYD HOSE 3/8"x108" FF
18	233689	HYD HOSE 3/8"x180" FF
19	51229F	HYD CYL 4X30 FGS #A519CY02
20	233730	SEAL KIT 4IN (FGS-SK-ACBS4Q1S)
	51242F	HYD CYL 3X30 FGS#A519CY11
	233729	SEAL KIT 3IN (FGS-SK-ACBZ3Q1S)

#### ITEM PART NO DESCRIPTION

1	60640	QUICK DISCONNECT COUPLER
2	13234	ADP 8MJ X 8MPT
3	25580	ELB 8MJ X 8MORB
4	24004	ADP 8MORB X 8FJX
5	15910	CROSS 8MJ x 8MJ x 8MJ x 8MJ
6	56534	TEE 8MJ x 8MJ x 8MORB
7	13238	TEE 8MJ x 8MJ x 8MJ
8	25591	ELB 8MJ X 8FJX
9	62437	ELB 8MJ X 6MORB
10	233688	HYD HOSE 3/8"x252" FF
11	14644	HYD HOSE 3/8"x36" FF
12	235386	HYD HOSE 3/8"x137" FF

SEE PAGE 35

700130



# 13' MF w/11' 8" INNER WING

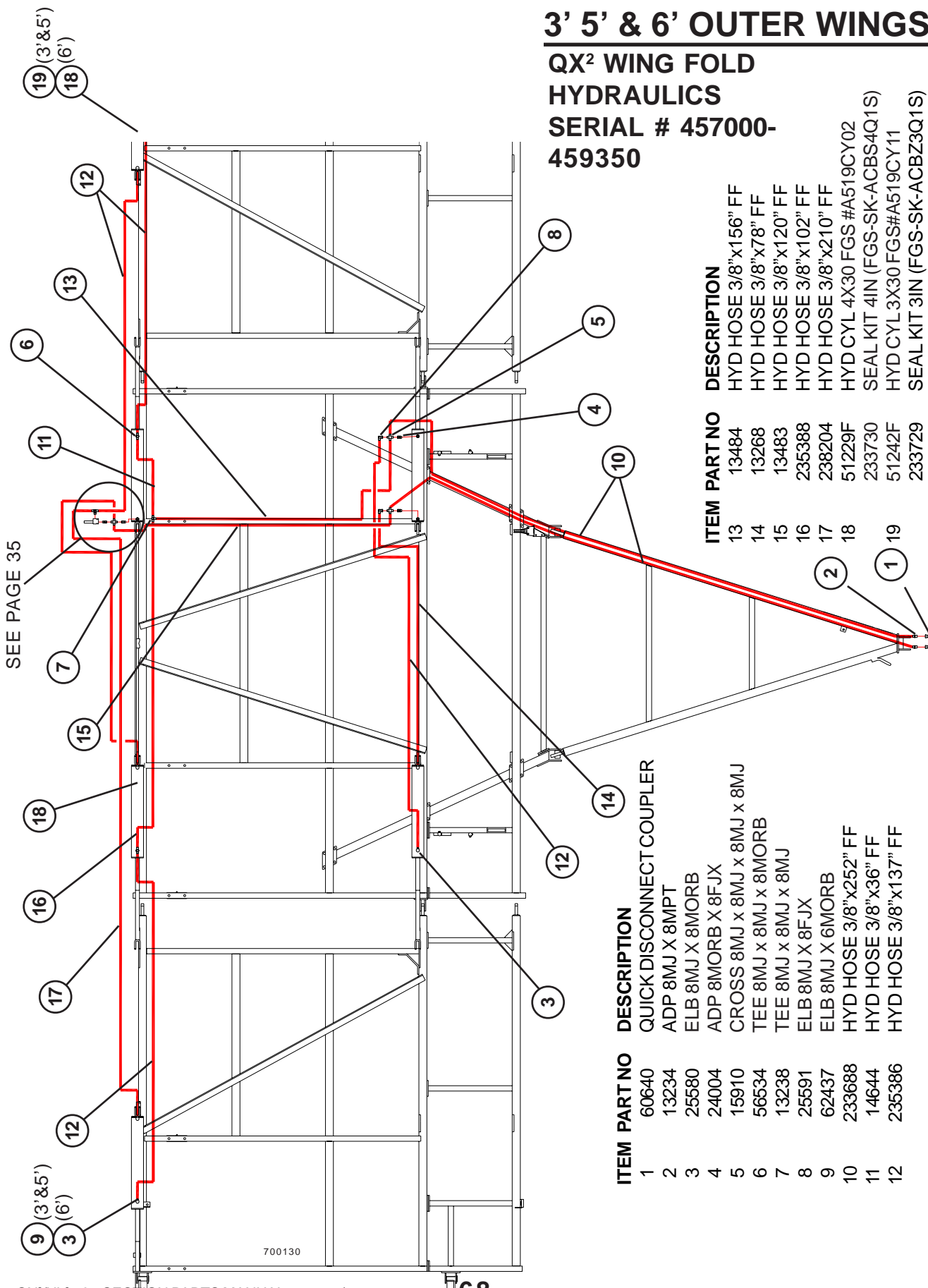
## 3' 5' & 6' OUTER WINGS

### QX<sup>2</sup> WING FOLD

### HYDRAULICS

SERIAL # 457000-

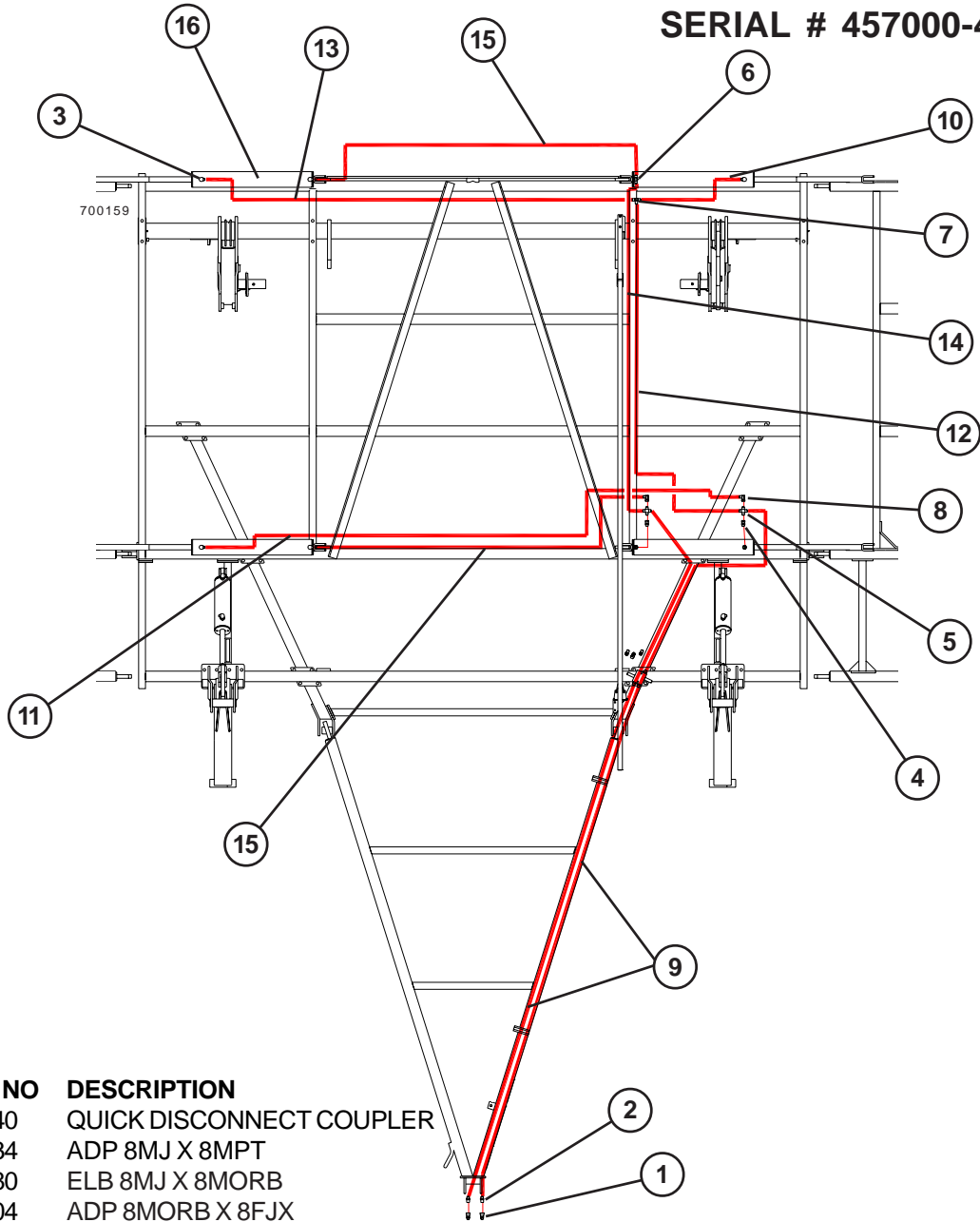
459350



ITEM	PART NO	DESCRIPTION
1	60640	QUICK DISCONNECT COUPLER
2	13234	ADP 8MJ X 8MPT
3	25580	ELB 8MJ X 8MORB
4	24004	ADP 8MORB X 8FJX
5	15910	CROSS 8MJ x 8MJ x 8MJ x 8MJ x 8MJ
6	56534	TEE 8MJ x 8MJ x 8MORB
7	13238	TEE 8MJ x 8MJ x 8MJ
8	25591	ELB 8MJ X 8FJX
9	62437	ELB 8MJ X 6MORB
10	233688	HYD HOSE 3/8"x252" FF
11	14644	HYD HOSE 3/8"x36" FF
12	235386	HYD HOSE 3/8"x137" FF

ITEM	PART NO	DESCRIPTION
13	13484	HYD HOSE 3/8"x156" FF
14	13268	HYD HOSE 3/8"x78" FF
15	13483	HYD HOSE 3/8"x120" FF
16	235388	HYD HOSE 3/8"x102" FF
17	238204	HYD HOSE 3/8"x210" FF
18	51229F	HYD CYL 4X30 FGS #A519CY02
19	233730	SEAL KIT 4IN (FGS-SK-ACBS4Q1S)
	51242F	HYD CYL 3X30 FGS#A519CY11
	233729	SEAL KIT 3IN (FGS-SK-ACBZ3Q1S)

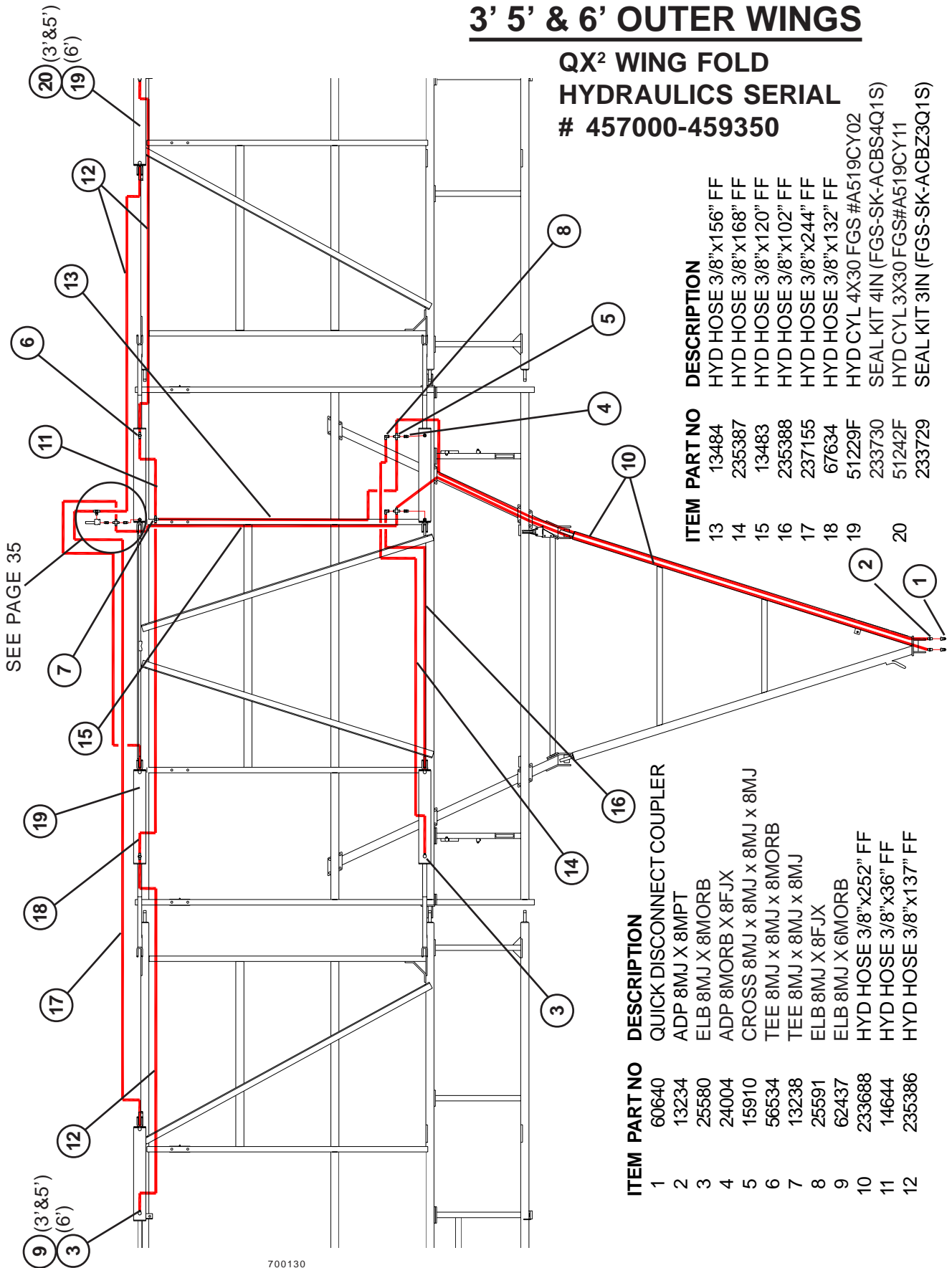
**16' MF w/11' 8" WINGS**  
**QX<sup>2</sup> WING FOLD HYDRAULICS**  
**SERIAL # 457000-459350**



ITEM	PART NO	DESCRIPTION
1	60640	QUICK DISCONNECT COUPLER
2	13234	ADP 8MJ X 8MPT
3	25580	ELB 8MJ X 8MORB
4	24004	ADP 8MORB X 8FJX
5	15910	CROSS 8MJ x 8MJ x 8MJ x 8MJ
6	56534	TEE 8MJ x 8MJ x 8MORB
7	13238	TEE 8MJ x 8MJ x 8MJ
8	25591	ELB 8MJ X 8FJX
9	233688	HYD HOSE 3/8"x252" FF
10	14644	HYD HOSE 3/8"x36" FF
11	235387	HYD HOSE 3/8"x168" FF
12	13484	HYD HOSE 3/8"x156" FF
13	67634	HYD HOSE 3/8"x132" FF
14	13483	HYD HOSE 3/8"x120" FF
15	235388	HYD HOSE 3/8"x102" FF
16	51229F	HYD CYL 4X30 FGS #A519CY02
	233730	SEAL KIT 4IN (FGS-SK-ACBS4Q1S)

# 16' MF w/11' 8" INNER WING 3' 5' & 6' OUTER WINGS

**QX<sup>2</sup> WING FOLD  
HYDRAULICS SERIAL  
# 457000-459350**



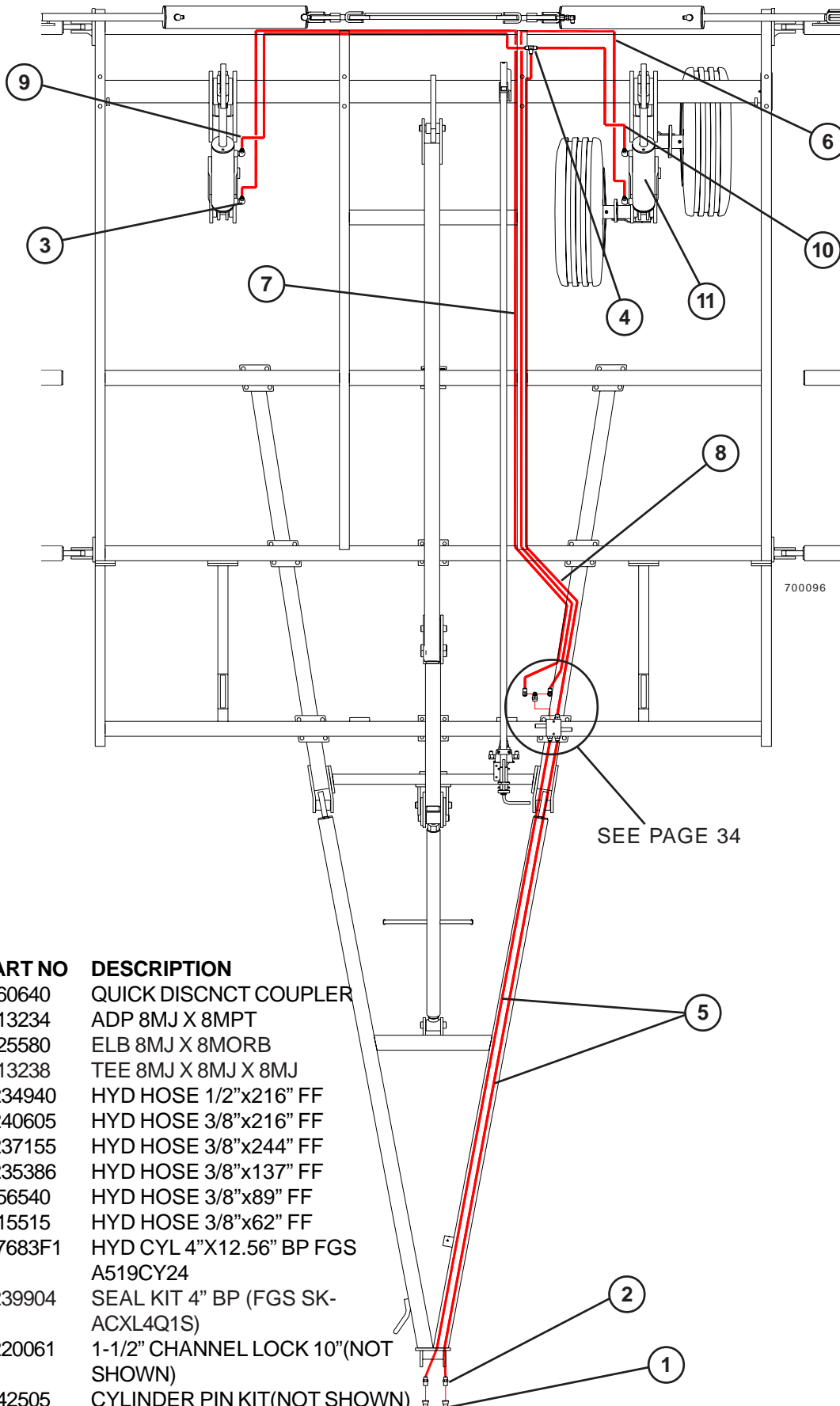
ITEM PART NO	DESCRIPTION
13	HYD HOSE 3/8"x156" FF
14	HYD HOSE 3/8"x168" FF
15	HYD HOSE 3/8"x120" FF
16	HYD HOSE 3/8"x102" FF
17	HYD HOSE 3/8"x244" FF
18	HYD HOSE 3/8"x132" FF
19	HYD CYL 4X30 FGS #A519CY02
20	SEAL KIT 4IN (FGS-SK-ACBS4Q1S)
	HYD CYL 3X30 FGS#A519CY11
	SEAL KIT 3IN (FGS-SK-ACBZ3Q1S)

ITEM PART NO	DESCRIPTION
1	QUICK DISCONNECT COUPLER
2	ADP 8MJ X 8MPT
3	ELB 8MJ X 8MORB
4	ADP 8MORB X 8FJX
5	CROSS 8MJ x 8MJ x 8MJ x 8MJ
6	TEE 8MJ x 8MJ x 8MORB
7	TEE 8MJ x 8MJ x 8MJ
8	ELB 8MJ X 8FJX
9	ELB 8MJ X 6MORB
10	HYD HOSE 3/8"x252" FF
11	HYD HOSE 3/8"x36" FF
12	HYD HOSE 3/8"x137" FF

700130

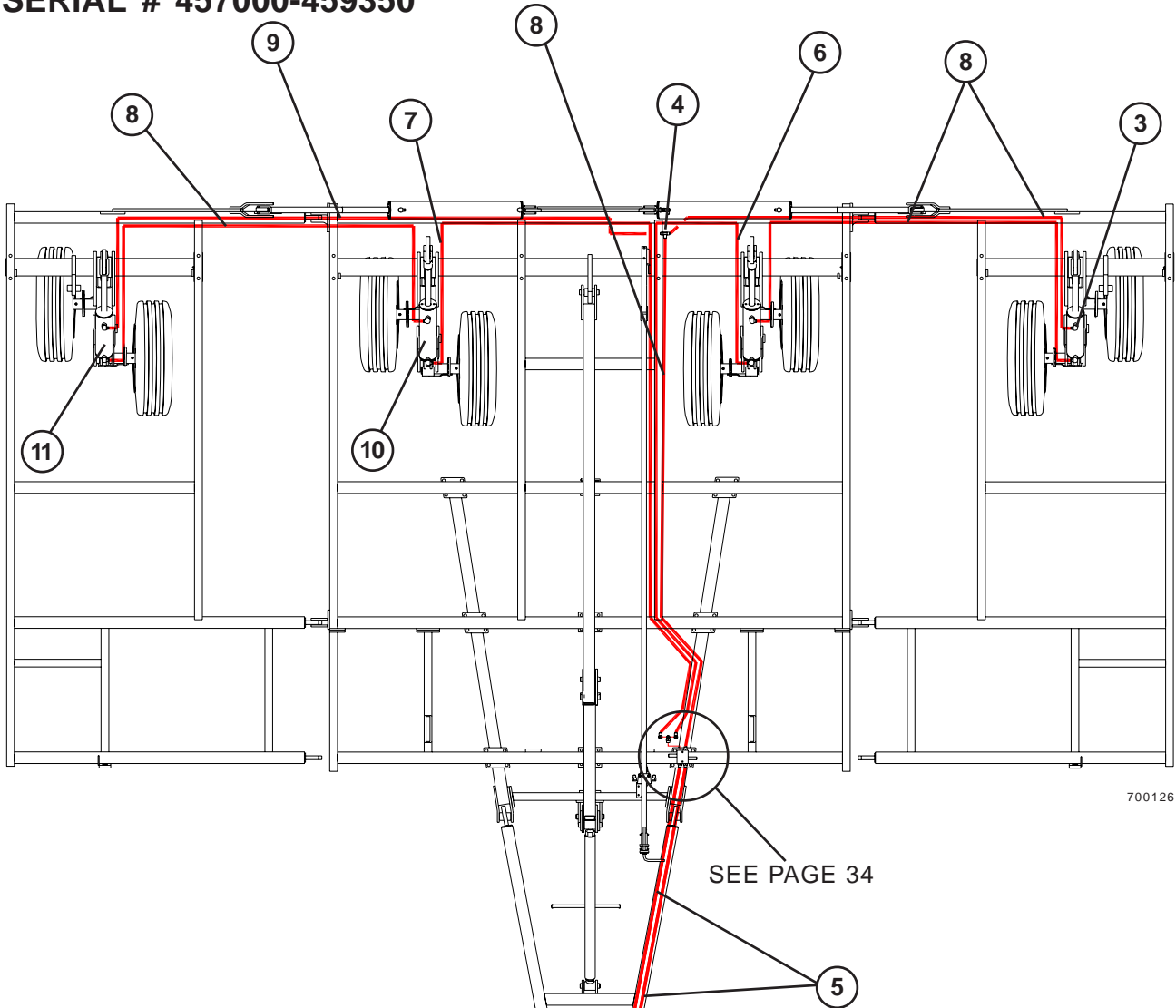
# 11'MF W/4' WING

# XL<sup>2</sup> DEPTH CONTROL HYDRAULICS



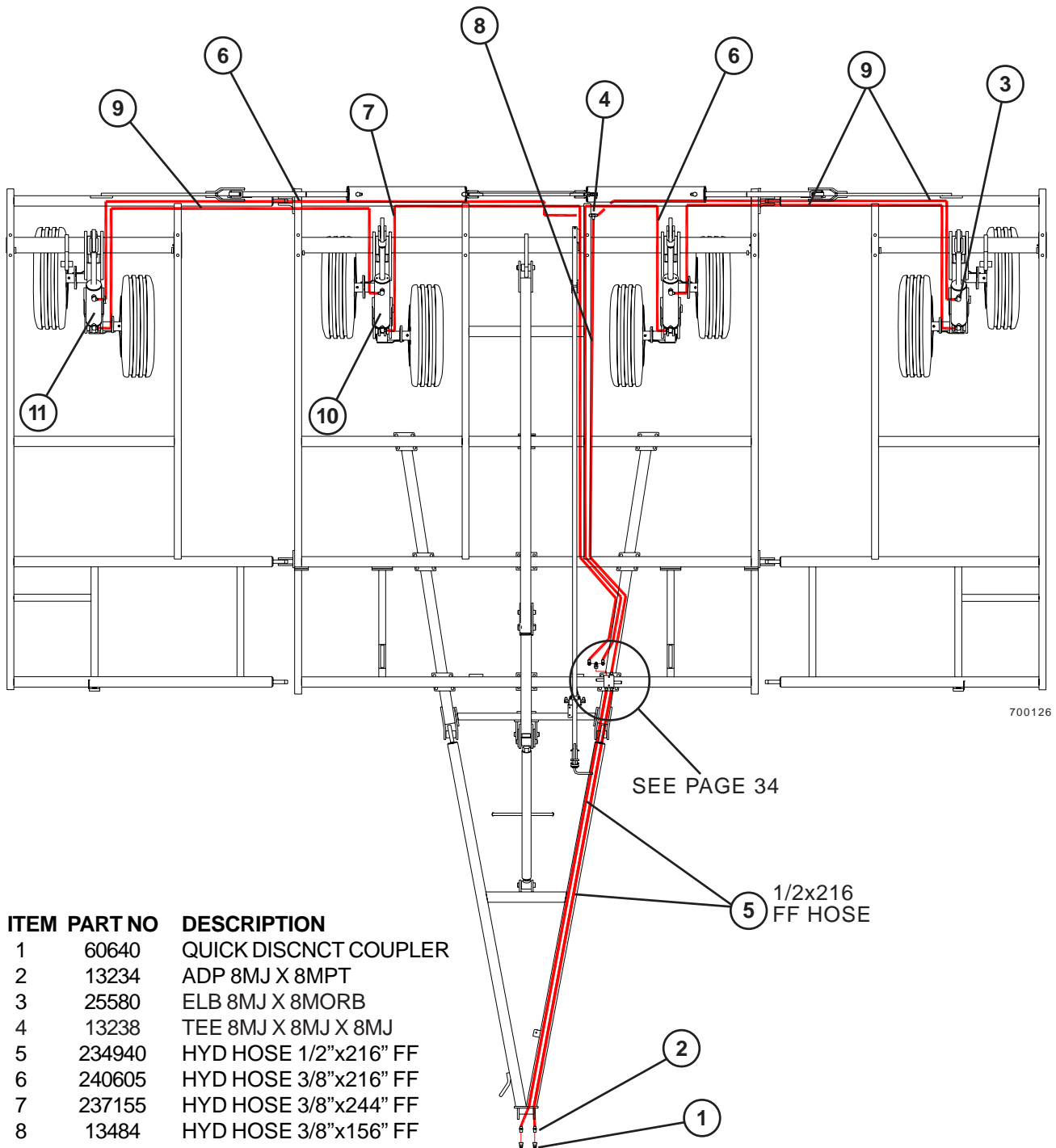
ITEM	PART NO	DESCRIPTION
1	60640	QUICK DISCNCT COUPLER
2	13234	ADP 8MJ X 8MPT
3	25580	ELB 8MJ X 8MORB
4	13238	TEE 8MJ X 8MJ X 8MJ
5	234940	HYD HOSE 1/2"x216" FF
6	240605	HYD HOSE 3/8"x216" FF
7	237155	HYD HOSE 3/8"x244" FF
8	235386	HYD HOSE 3/8"x137" FF
9	56540	HYD HOSE 3/8"x89" FF
10	15515	HYD HOSE 3/8"x62" FF
11	67683F1	HYD CYL 4"X12.56" BP FGS A519CY24
	239904	SEAL KIT 4" BP (FGS SK- ACXL4Q1S)
12	220061	1-1/2" CHANNEL LOCK 10"(NOT SHOWN)
13	42505	CYLINDER PIN KIT(NOT SHOWN)

**11' MF w/7' WING**  
**XL<sup>2</sup> DEPTH CONTROL**  
**HYDRAULICS**  
**SERIAL # 457000-459350**



ITEM	PART NO	DESCRIPTION
1	60640	QUICK DISCNCT COUPLER
2	13234	ADP 8MJ X 8MPT
3	25580	ELB 8MJ X 8MORB
4	13238	TEE 8MJ X 8MJ X 8MJ
5	234940	HYD HOSE 1/2"x216" FF
6	240605	HYD HOSE 3/8"x216" FF
7	237155	HYD HOSE 3/8"x244" FF
8	13484	HYD HOSE 3/8"x156" FF
9	233689	HYD HOSE 3/8"x180" FF
10	67683F1	HYD CYL 4"x12.56" BP FGSA519CY24
	239904	SEAL KIT 4" BP (FGS SK-ACXL4Q1S)
11	67688F1	HYD CYL 4"x10.8" BP FGAA519CY25
	239904	SEAL KIT 4" BP (FGS SK-ACXL4Q1S)
12	220061	1-1/2" CHANNEL LOCK 10"(NOT SHOWN)
13	42505	CYLINDER PIN KIT(NOT SHOWN)

**11' MF w/9' 4" WING**  
**XL<sup>2</sup> DEPTH CONTROL**  
**HYDRAULICS**  
**SERIAL # 457000-459350**



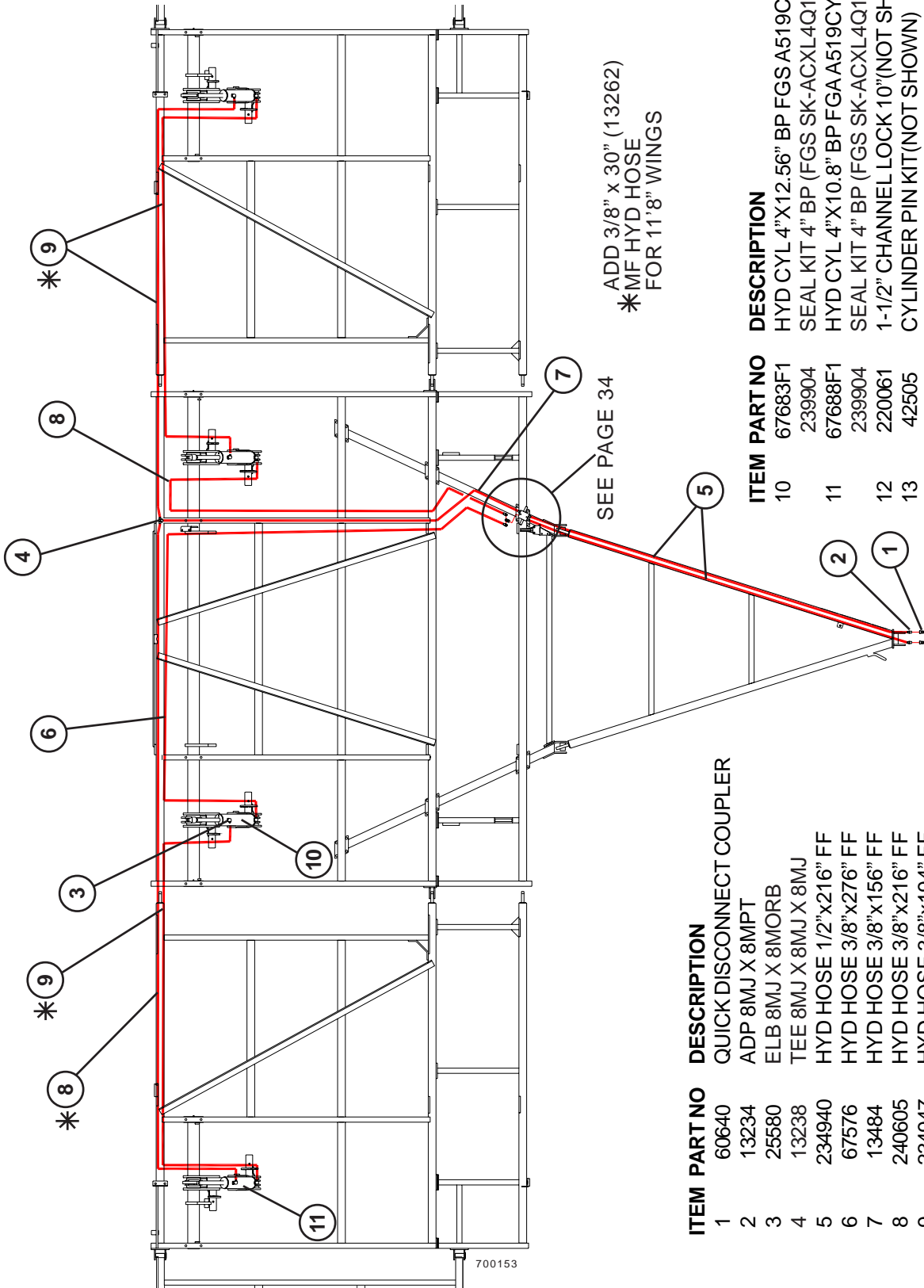
700126

ITEM	PART NO	DESCRIPTION
1	60640	QUICK DISCNCT COUPLER
2	13234	ADP 8MJ X 8MPT
3	25580	ELB 8MJ X 8MORB
4	13238	TEE 8MJ X 8MJ X 8MJ
5	234940	HYD HOSE 1/2"x216" FF
6	240605	HYD HOSE 3/8"x216" FF
7	237155	HYD HOSE 3/8"x244" FF
8	13484	HYD HOSE 3/8"x156" FF
9	233689	HYD HOSE 3/8"x180" FF
10	67683F1	HYD CYL 4"x12.56" BP FGSA519CY24
	239904	SEAL KIT 4" BP (FGS SK-ACXL4Q1S)
11	67688F1	HYD CYL 4"x10.8" BP FGAA519CY25
	239904	SEAL KIT 4" BP (FGS SK-ACXL4Q1S)
12	220061	1-1/2" CHANNEL LOCK 10"(NOT SHOWN)
13	42505	CYLINDER PIN KIT(NOT SHOWN)

# 13' MF w/9' 4" & 11'8" WING

## XL<sup>2</sup> DEPTH CONTROL HYDRAULICS

### SERIAL # 457000-459350



ADD 3/8" x 30" (13262)  
 \*MF HYD HOSE  
 FOR 11'8" WINGS

SEE PAGE 34

ITEM	PART NO	DESCRIPTION
1	60640	QUICK DISCONNECT COUPLER
2	13234	ADP 8MJ X 8MPT
3	25580	ELB 8MJ X 8MORB
4	13238	TEE 8MJ X 8MJ X 8MJ
5	234940	HYD HOSE 1/2"x216" FF
6	67576	HYD HOSE 3/8"x276" FF
7	13484	HYD HOSE 3/8"x156" FF
8	240605	HYD HOSE 3/8"x216" FF
9	234947	HYD HOSE 3/8"x194" FF

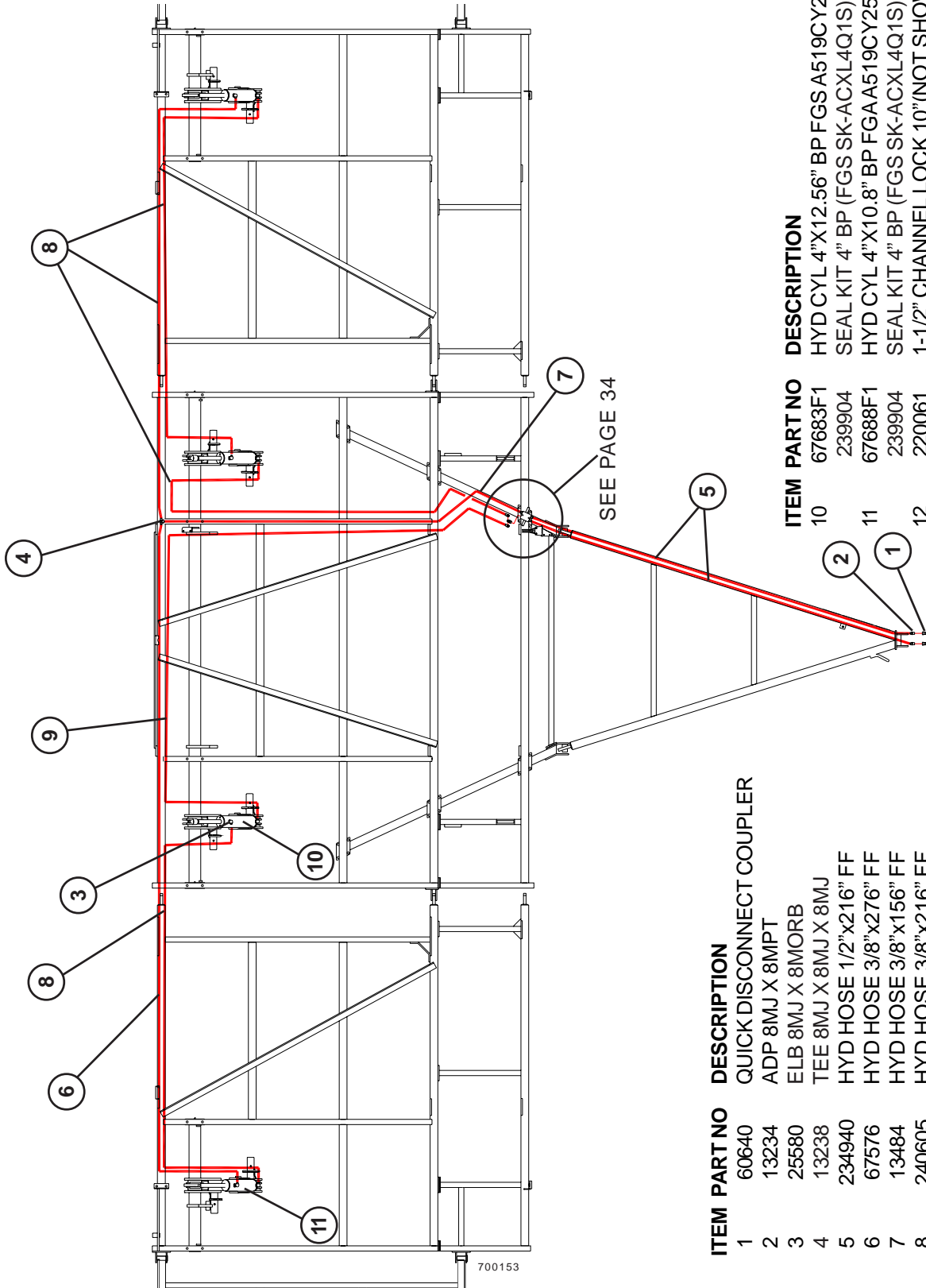
ITEM	PART NO	DESCRIPTION
10	67683F1	HYD CYL 4"x12.56" BP FGS A519CY24
	239904	SEAL KIT 4" BP (FGS SK-ACXL4Q1S)
11	67688F1	HYD CYL 4"x10.8" BP FGA A519CY25
	239904	SEAL KIT 4" BP (FGS SK-ACXL4Q1S)
12	220061	1-1/2" CHANNEL LOCK 10"(NOT SHOWN)
13	42505	CYLINDER PIN KIT(NOT SHOWN)



# 16' MF W/11'8" WING

## XL<sup>2</sup> DEPTH CONTROL HYDRAULICS

SERIAL # 457000-459350

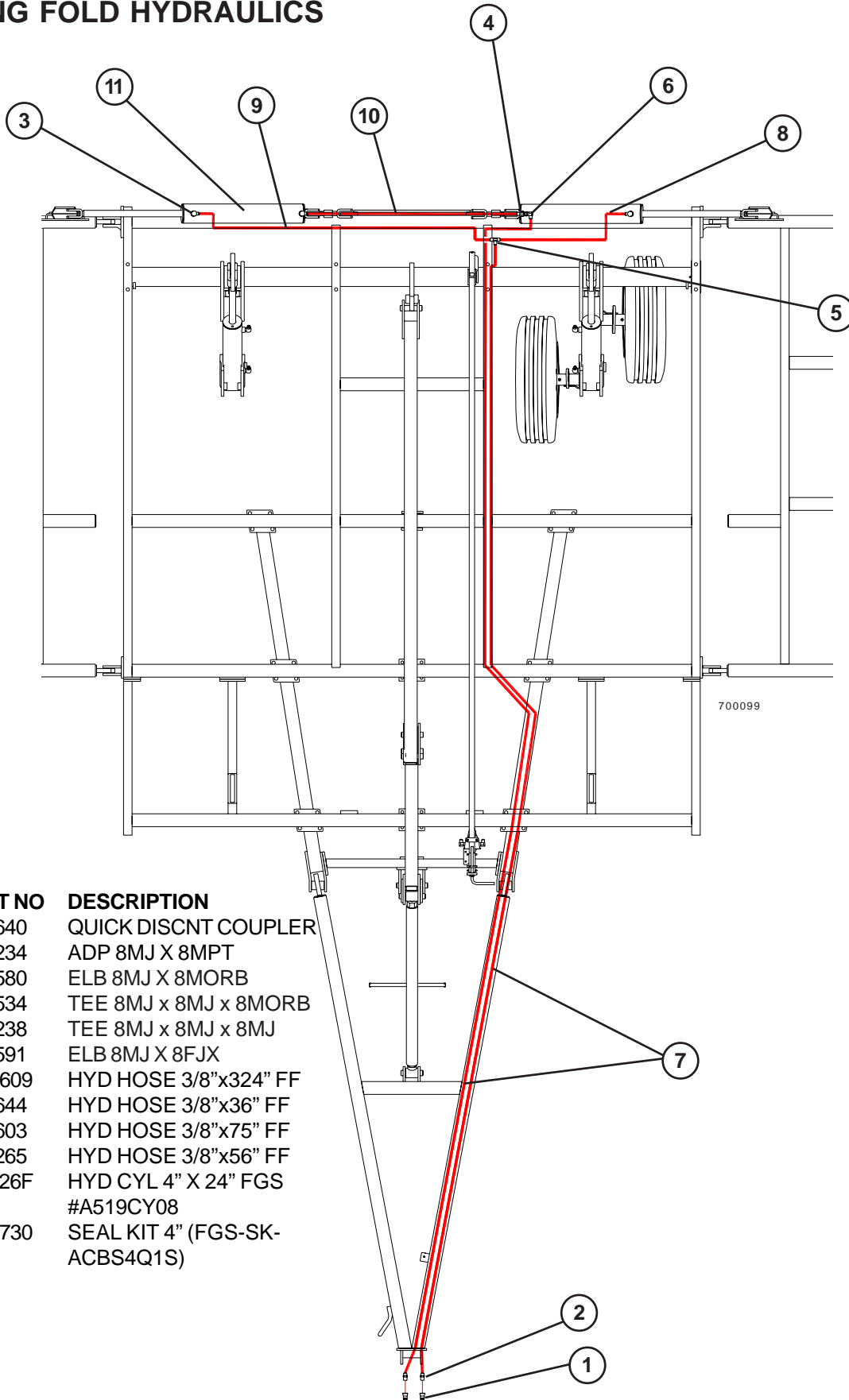


ITEM	PART NO	DESCRIPTION
10	67683F1	HYD CYL 4"X12.56" BP FGS A519CY24
11	239904	SEAL KIT 4" BP (FGS SK-ACXL4Q1S)
12	67688F1	HYD CYL 4"X10.8" BP FGA A519CY25
13	239904	SEAL KIT 4" BP (FGS SK-ACXL4Q1S)
	220061	1-1/2" CHANNEL LOCK 10"(NOT SHOWN)
	42505	CYLINDER PIN KIT(NOT SHOWN)

ITEM	PART NO	DESCRIPTION
1	60640	QUICK DISCONNECT COUPLER
2	13234	ADP 8MJ X 8MPT
3	25580	ELB 8MJ X 8MORB
4	13238	TEE 8MJ X 8MJ X 8MJ
5	234940	HYD HOSE 1/2"X216" FF
6	67576	HYD HOSE 3/8"X276" FF
7	13484	HYD HOSE 3/8"X156" FF
8	240605	HYD HOSE 3/8"X216" FF
9	240604	HYD HOSE 3/8"X300" FF

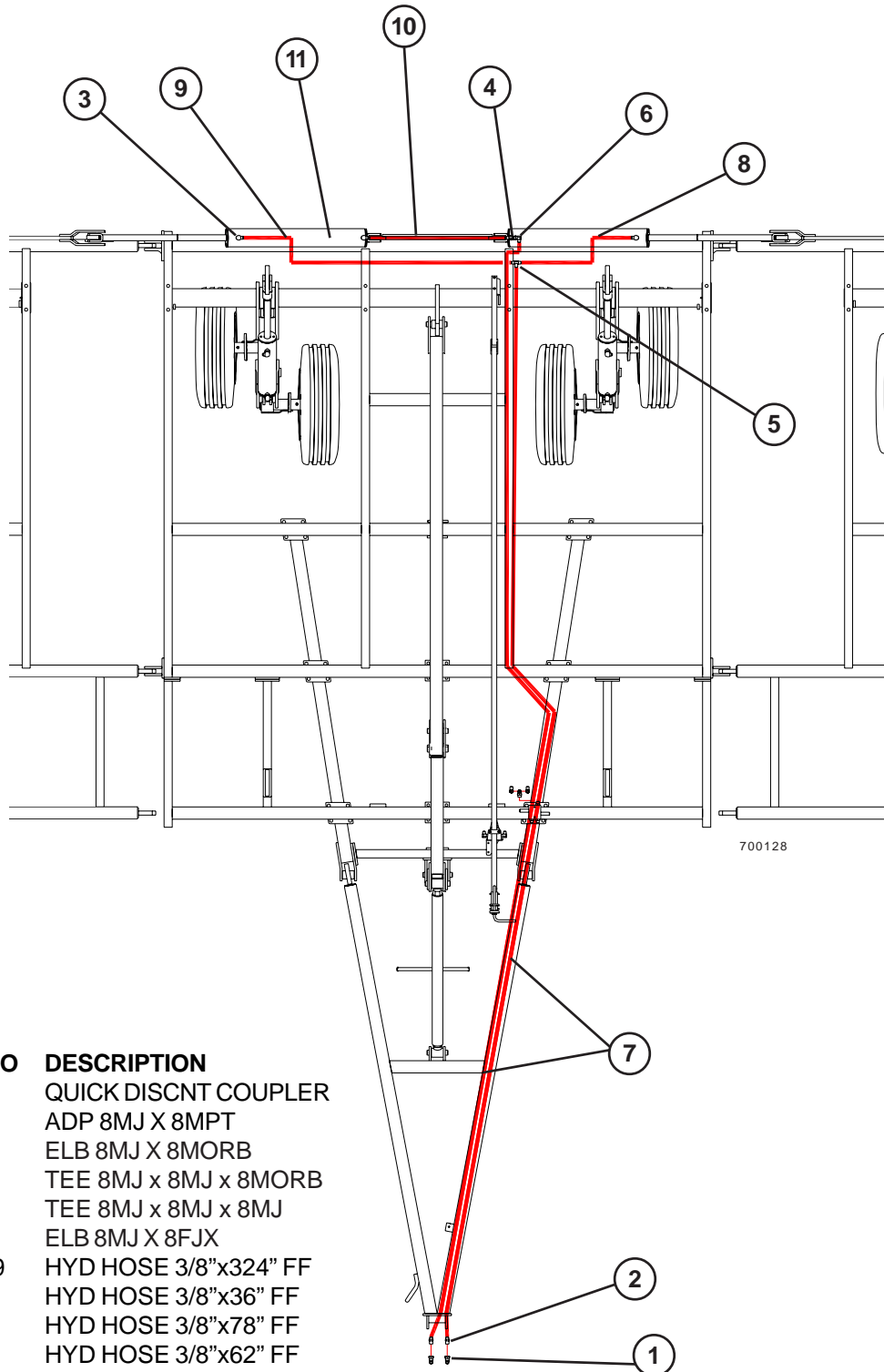
# 11' MF w/4' WING

## XL<sup>2</sup> WING FOLD HYDRAULICS



ITEM	PART NO	DESCRIPTION
1	60640	QUICK DISCNT COUPLER
2	13234	ADP 8MJ X 8MPT
3	25580	ELB 8MJ X 8MORB
4	56534	TEE 8MJ x 8MJ x 8MORB
5	13238	TEE 8MJ x 8MJ x 8MJ
6	25591	ELB 8MJ X 8FJX
7	240609	HYD HOSE 3/8"x324" FF
8	14644	HYD HOSE 3/8"x36" FF
9	25603	HYD HOSE 3/8"x75" FF
10	13265	HYD HOSE 3/8"x56" FF
11	51226F	HYD CYL 4" X 24" FGS #A519CY08
	233730	SEAL KIT 4" (FGS-SK- ACBS4Q1S)

**11' MF w/7' WING**  
**XL<sup>2</sup> WING FOLD HYDRAULICS**  
**SERIAL # 457000-459350**

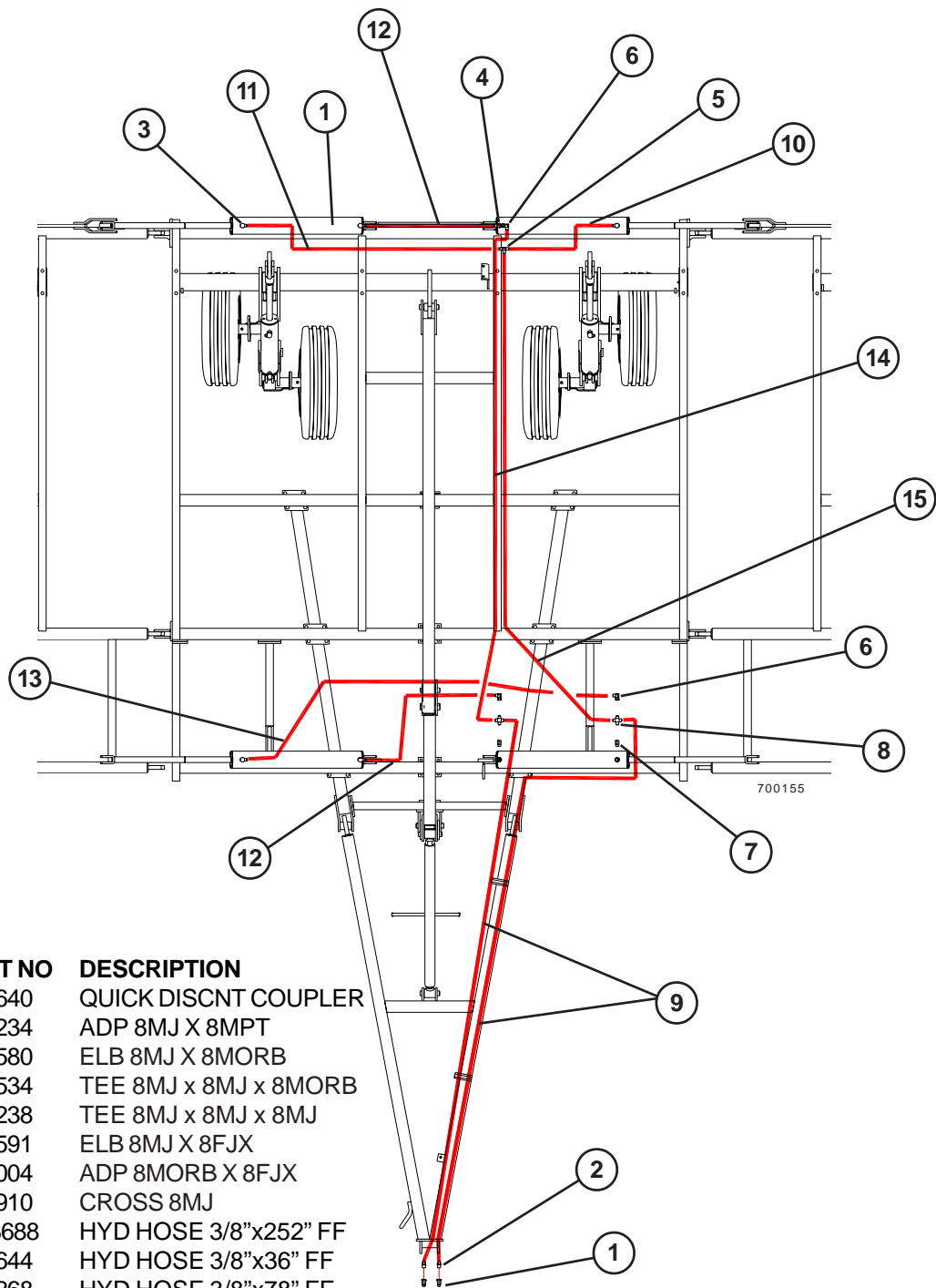


ITEM	PART NO	DESCRIPTION
1	60640	QUICK DISCNT COUPLER
2	13234	ADP 8MJ X 8MPT
3	25580	ELB 8MJ X 8MORB
4	56534	TEE 8MJ x 8MJ x 8MORB
5	13238	TEE 8MJ x 8MJ x 8MJ
6	25591	ELB 8MJ X 8FJX
7	240609	HYD HOSE 3/8"x324" FF
8	14644	HYD HOSE 3/8"x36" FF
9	13268	HYD HOSE 3/8"x78" FF
10	15515	HYD HOSE 3/8"x62" FF
11	51229F	HYD CYL 4X30 FGS #A519CY02
	233730	SEAL KIT 4IN (FGS-SK-ACBS4Q1S)

# 11' MF w/9'4"WING

## XL<sup>2</sup> WING FOLD HYDRAULICS

SERIAL # 457000-459350

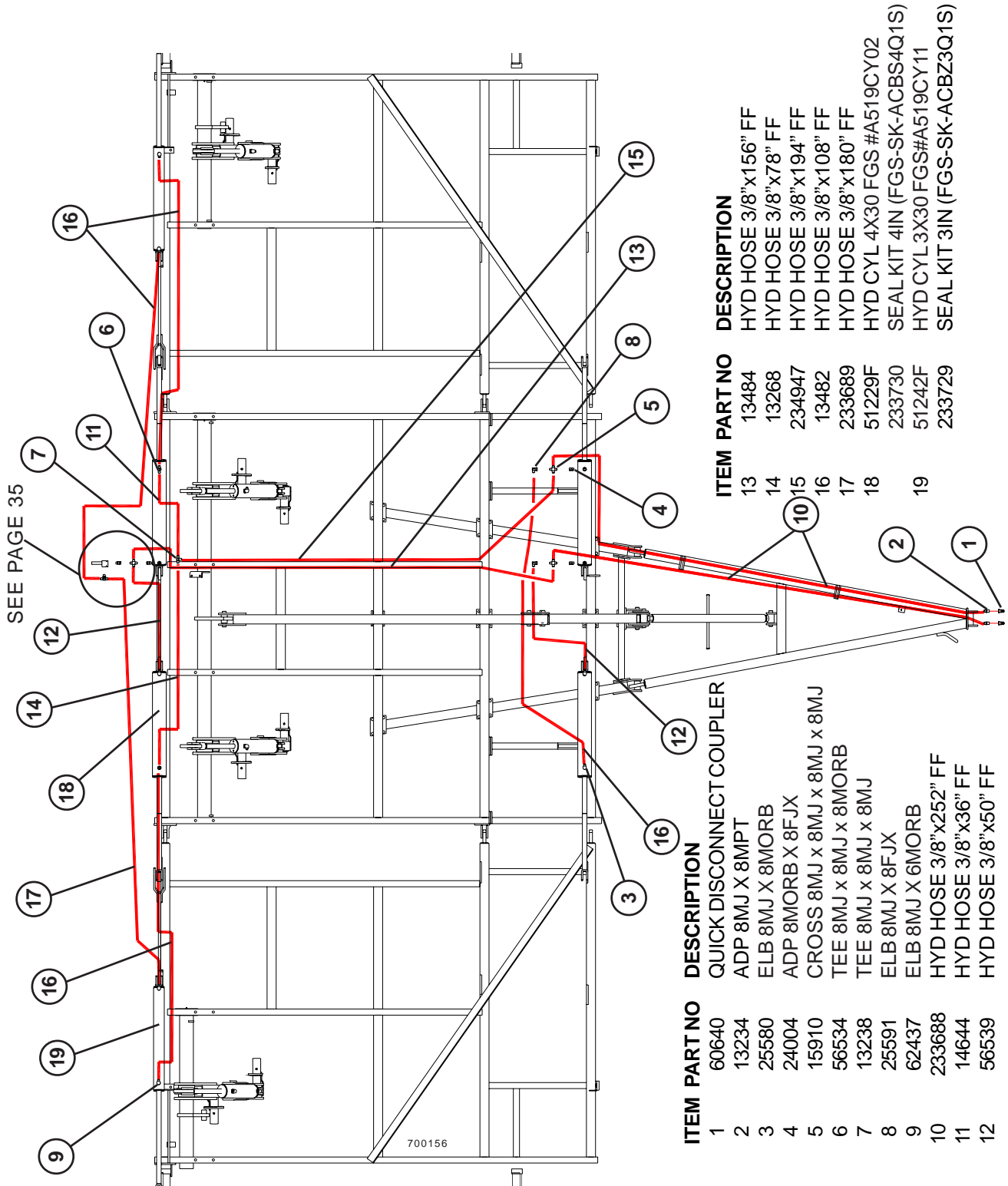


ITEM	PART NO	DESCRIPTION
1	60640	QUICK DISCNT COUPLER
2	13234	ADP 8MJ X 8MPT
3	25580	ELB 8MJ X 8MORB
4	56534	TEE 8MJ x 8MJ x 8MORB
5	13238	TEE 8MJ x 8MJ x 8MJ
6	25591	ELB 8MJ X 8FJX
7	24004	ADP 8MORB X 8FJX
8	15910	CROSS 8MJ
9	233688	HYD HOSE 3/8"x252" FF
10	14644	HYD HOSE 3/8"x36" FF
11	13268	HYD HOSE 3/8"x78" FF
12	56539	HYD HOSE 3/8"x50" FF
13	13482	HYD HOSE 3/8"x108" FF
14	13484	HYD HOSE 3/8"x156" FF
15	234947	HYD HOSE 3/8"x194" FF
16	51229F	HYD CYL 4X30 FGS #A519CY02
	233730	SEAL KIT 4IN (FGS-SK-ACBS4Q1S)

# 11' MF w/9'4" INNER WING 3'&5' OUTER WING

## XL<sup>2</sup> WING FOLD HYDRAULICS

SERIAL # 457000-459350

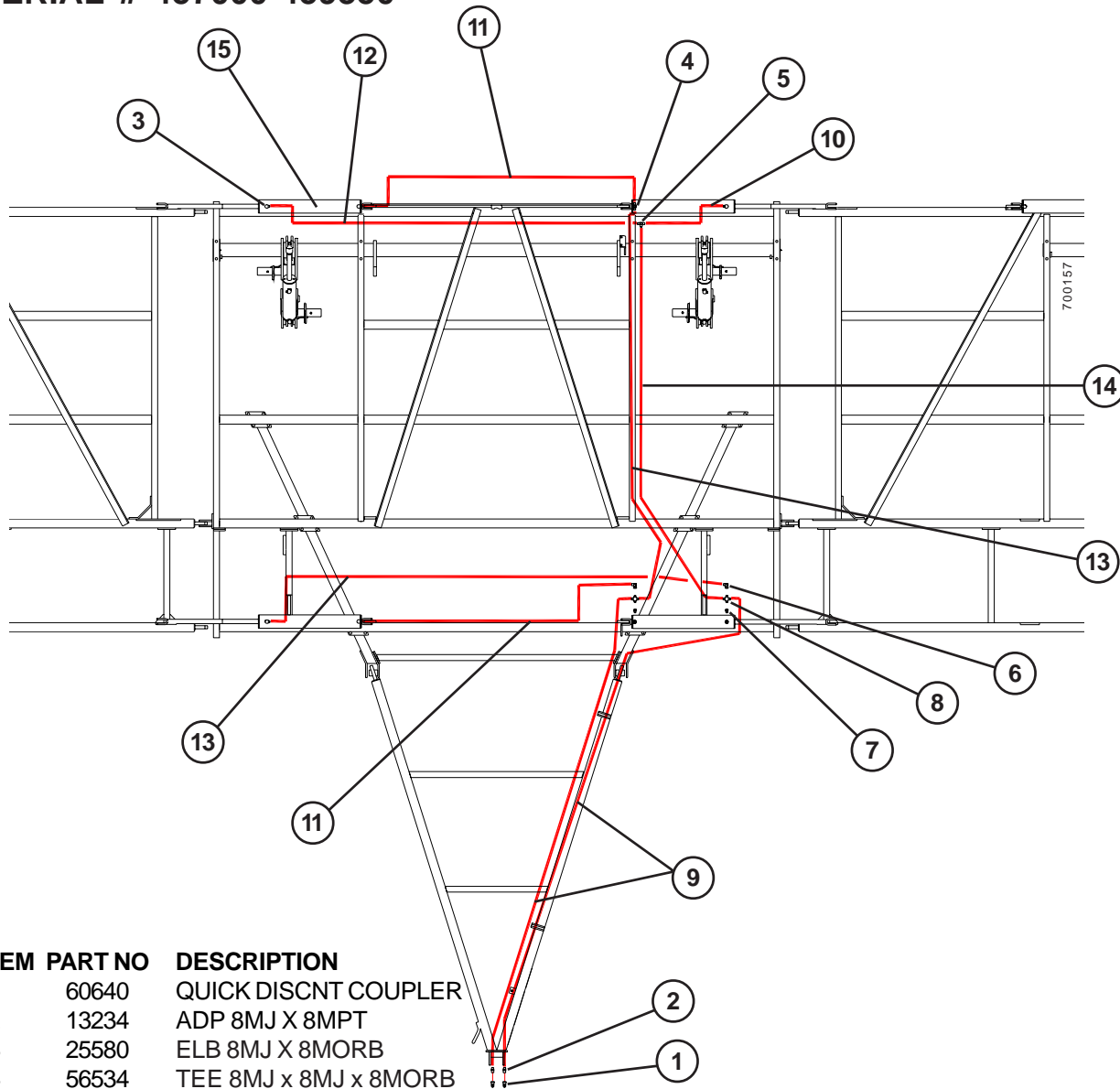


ITEM PART NO	DESCRIPTION	ITEM PART NO	DESCRIPTION
1	QUICK DISCONNECT COUPLER	13	HYD HOSE 3/8"X156" FF
2	ADP 8MJ X 8MPT	14	HYD HOSE 3/8"X78" FF
3	ELB 8MJ X 8MORB	15	HYD HOSE 3/8"X194" FF
4	ADP 8MORB X 8FJX	16	HYD HOSE 3/8"X108" FF
5	CROSS 8MJ x 8MJ x 8MJ x 8MJ	17	HYD HOSE 3/8"X180" FF
6	TEE 8MJ x 8MJ x 8MORB	18	HYD CYL 4X30 FGS #A519CY02
7	TEE 8MJ x 8MJ x 8MJ	19	SEAL KIT 4IN (FGS-SK-ACBS4Q1S)
8	ELB 8MJ X 8FJX		HYD CYL 3X30 FGS#A519CY11
9	ELB 8MJ X 6MORB		SEAL KIT 3IN (FGS-SK-ACBZ3Q1S)
10	HYD HOSE 3/8"X252" FF		
11	HYD HOSE 3/8"X36" FF		
12	HYD HOSE 3/8"X50" FF		

# 13' MF w/9'4" & 11' 8" WING

## XL<sup>2</sup> WING FOLD HYDRAULICS

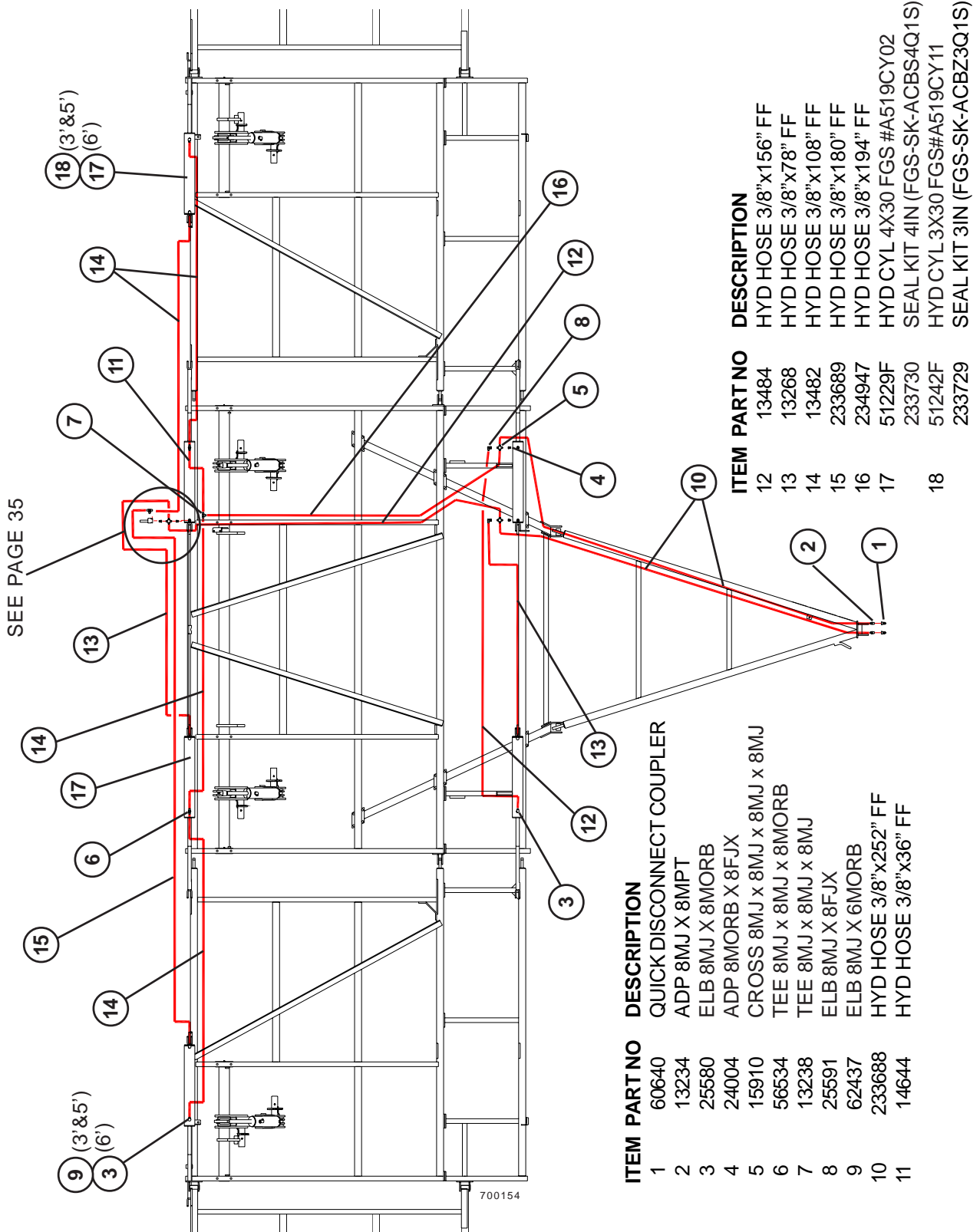
SERIAL # 457000-459350



ITEM	PART NO	DESCRIPTION
1	60640	QUICK DISCNT COUPLER
2	13234	ADP 8MJ X 8MPT
3	25580	ELB 8MJ X 8MORB
4	56534	TEE 8MJ x 8MJ x 8MORB
5	13238	TEE 8MJ x 8MJ x 8MJ
6	25591	ELB 8MJ X 8FJX
7	24004	ADP 8MORB X 8FJX
8	15910	CROSS 8MJ
9	233688	HYD HOSE 3/8"x252" FF
10	14644	HYD HOSE 3/8"x36" FF
11	13268	HYD HOSE 3/8"x78" FF
12	13482	HYD HOSE 3/8"x108" FF
13	13484	HYD HOSE 3/8"x156" FF
14	234947	HYD HOSE 3/8"x194" FF
15	51229F	HYD CYL 4X30 FGS #A519CY02
	233730	SEAL KIT 4IN (FGS-SK-ACBS4Q1S)

# 13' MF w/9'4" INNER WING 3',5'&6' OUTER WING

## XL<sup>2</sup> WING FOLD HYDRAULICS SERIAL # 457000-459350



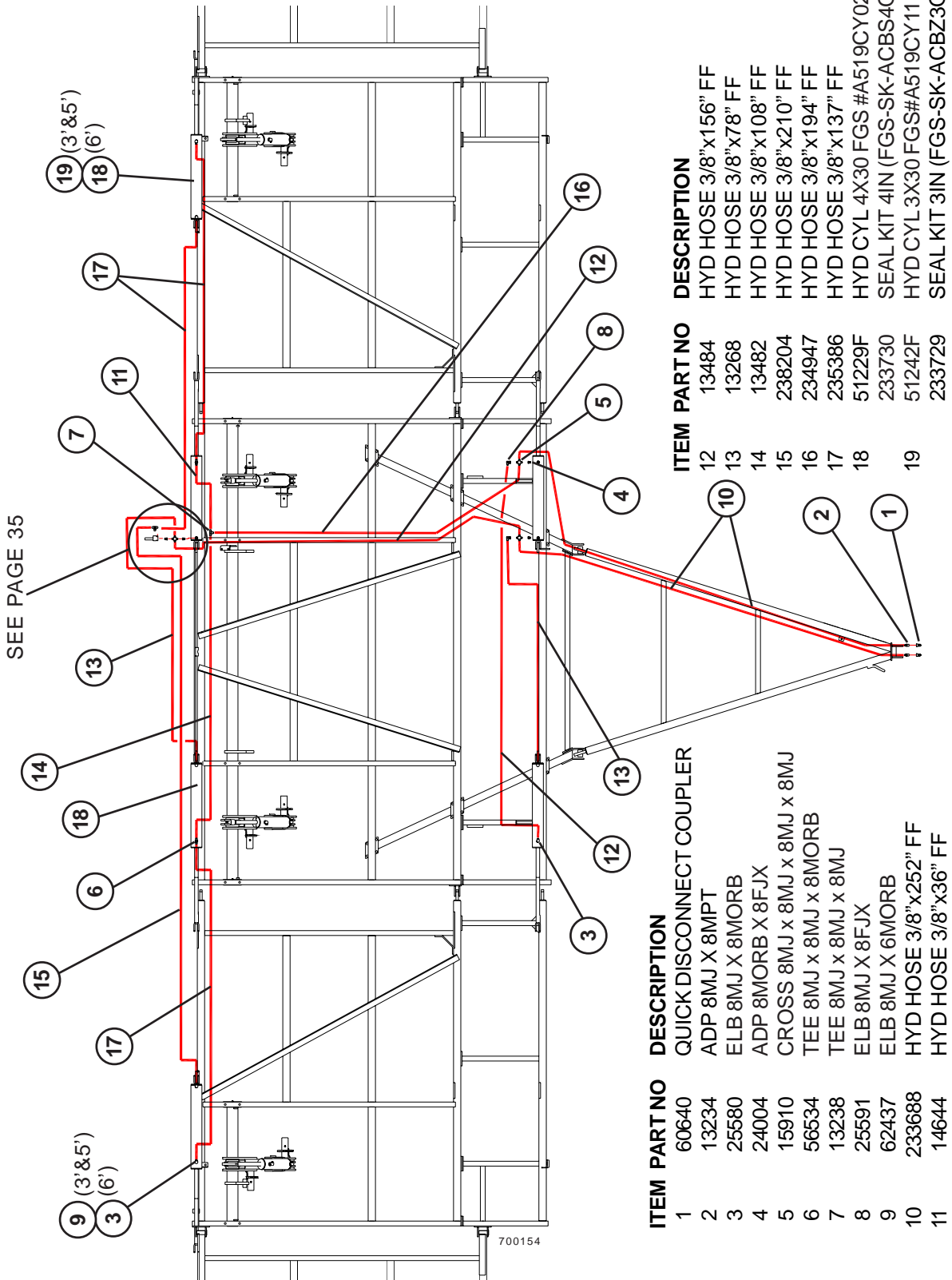
SEE PAGE 35

ITEM PART NO	DESCRIPTION
1	60640 QUICK DISCONNECT COUPLER
2	13234 ADP 8MJ X 8MPT
3	25580 ELB 8MJ X 8MORB
4	24004 ADP 8MORB X 8FJX
5	15910 CROSS 8MJ x 8MJ x 8MJ x 8MJ
6	56534 TEE 8MJ x 8MJ x 8MORB
7	13238 TEE 8MJ x 8MJ x 8MJ
8	25591 ELB 8MJ X 8FJX
9	62437 ELB 8MJ X 6MORB
10	233688 HYD HOSE 3/8"x252" FF
11	14644 HYD HOSE 3/8"x36" FF

ITEM PART NO	DESCRIPTION
12	13484 HYD HOSE 3/8"x156" FF
13	13268 HYD HOSE 3/8"x78" FF
14	13482 HYD HOSE 3/8"x108" FF
15	233689 HYD HOSE 3/8"x180" FF
16	234947 HYD HOSE 3/8"x194" FF
17	51229F HYD CYL 4X30 FGS #A519CY02
18	233730 SEAL KIT 4IN (FGS-SK-ACBS4Q1S)
	51242F HYD CYL 3X30 FGS#A519CY11
	233729 SEAL KIT 3IN (FGS-SK-ACBZ3Q1S)



**13' MF w/11'8" INNER WING**  
**3',5'&6' OUTER WING**  
**XL<sup>2</sup> WING FOLD HYDRAULICS**  
**SERIAL # 457000-459350**

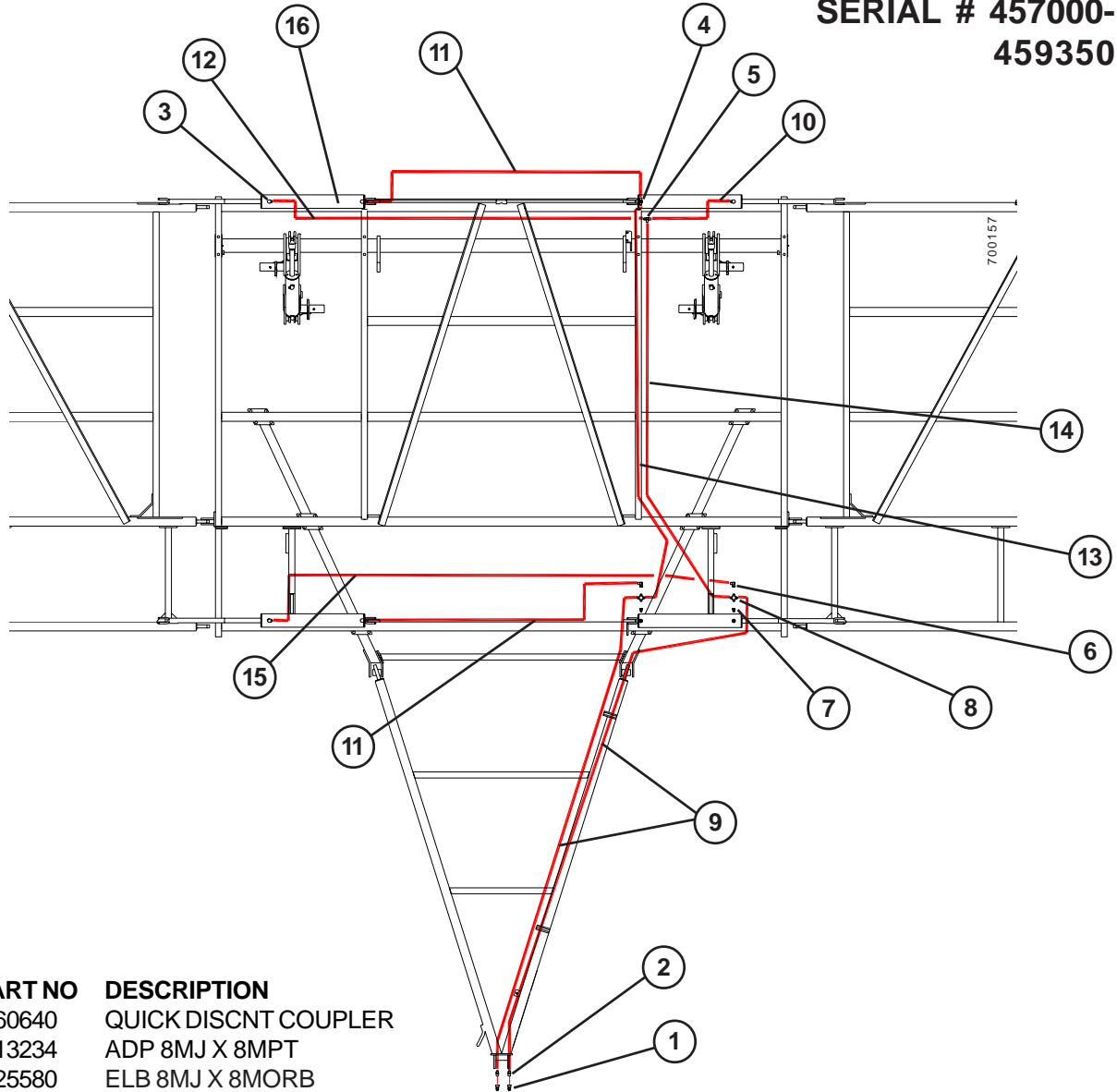


SEE PAGE 35

ITEM PART NO	DESCRIPTION	ITEM PART NO	DESCRIPTION
1	QUICK DISCONNECT COUPLER	12	HYD HOSE 3/8"x156" FF
2	ADP 8MJ X 8MPT	13	HYD HOSE 3/8"x78" FF
3	ELB 8MJ X 8MORB	14	HYD HOSE 3/8"x108" FF
4	ADP 8MORB X 8FJX	15	HYD HOSE 3/8"x210" FF
5	CROSS 8MJ x 8MJ x 8MJ x 8MJ	16	HYD HOSE 3/8"x194" FF
6	TEE 8MJ x 8MJ x 8MORB	17	HYD HOSE 3/8"x137" FF
7	TEE 8MJ x 8MJ x 8MJ	18	HYD CYL 4X30 FGS #A519CY02
8	ELB 8MJ X 8FJX	19	SEAL KIT 4IN (FGS-SK-ACBS4Q1S)
9	ELB 8MJ X 6MORB		HYD CYL 3X30 FGS#A519CY11
10	HYD HOSE 3/8"x252" FF		SEAL KIT 3IN (FGS-SK-ACBZ3Q1S)
11	HYD HOSE 3/8"x36" FF		

# 16' MF w/11' 8" WING

**XL<sup>2</sup> WING FOLD  
HYDRAULICS  
SERIAL # 457000-  
459350**



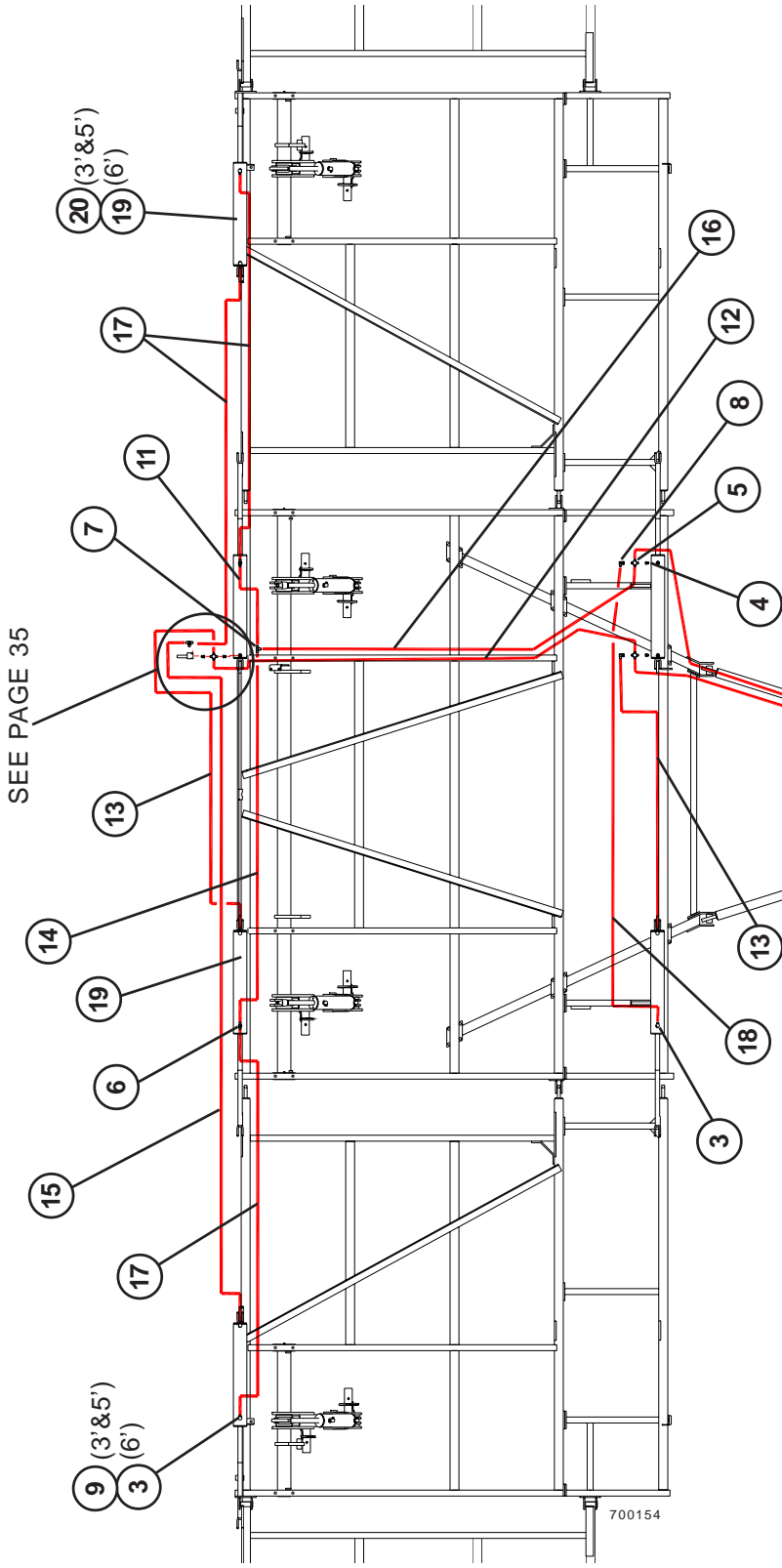
ITEM	PART NO	DESCRIPTION
1	60640	QUICK DISCNT COUPLER
2	13234	ADP 8MJ X 8MPT
3	25580	ELB 8MJ X 8MORB
4	56534	TEE 8MJ x 8MJ x 8MORB
5	13238	TEE 8MJ x 8MJ x 8MJ
6	25591	ELB 8MJ X 8FJX
7	24004	ADP 8MORB X 8FJX
8	15910	CROSS 8MJ
9	233688	HYD HOSE 3/8"x252" FF
10	14644	HYD HOSE 3/8"x36" FF
11	235388	HYD HOSE 3/8"x102" FF
12	67634	HYD HOSE 3/8"x132" FF
13	13484	HYD HOSE 3/8"x156" FF
14	234947	HYD HOSE 3/8"x194" FF
15	235387	HYD HOSE 3/8"x168" FF
16	51229F	HYD CYL 4X30 FGS #A519CY02
	233730	SEAL KIT 4IN (FGS-SK-ACBS4Q1S)

# 16' MF w/11'8" INNER WING

## 3',5'&6' OUTER WING

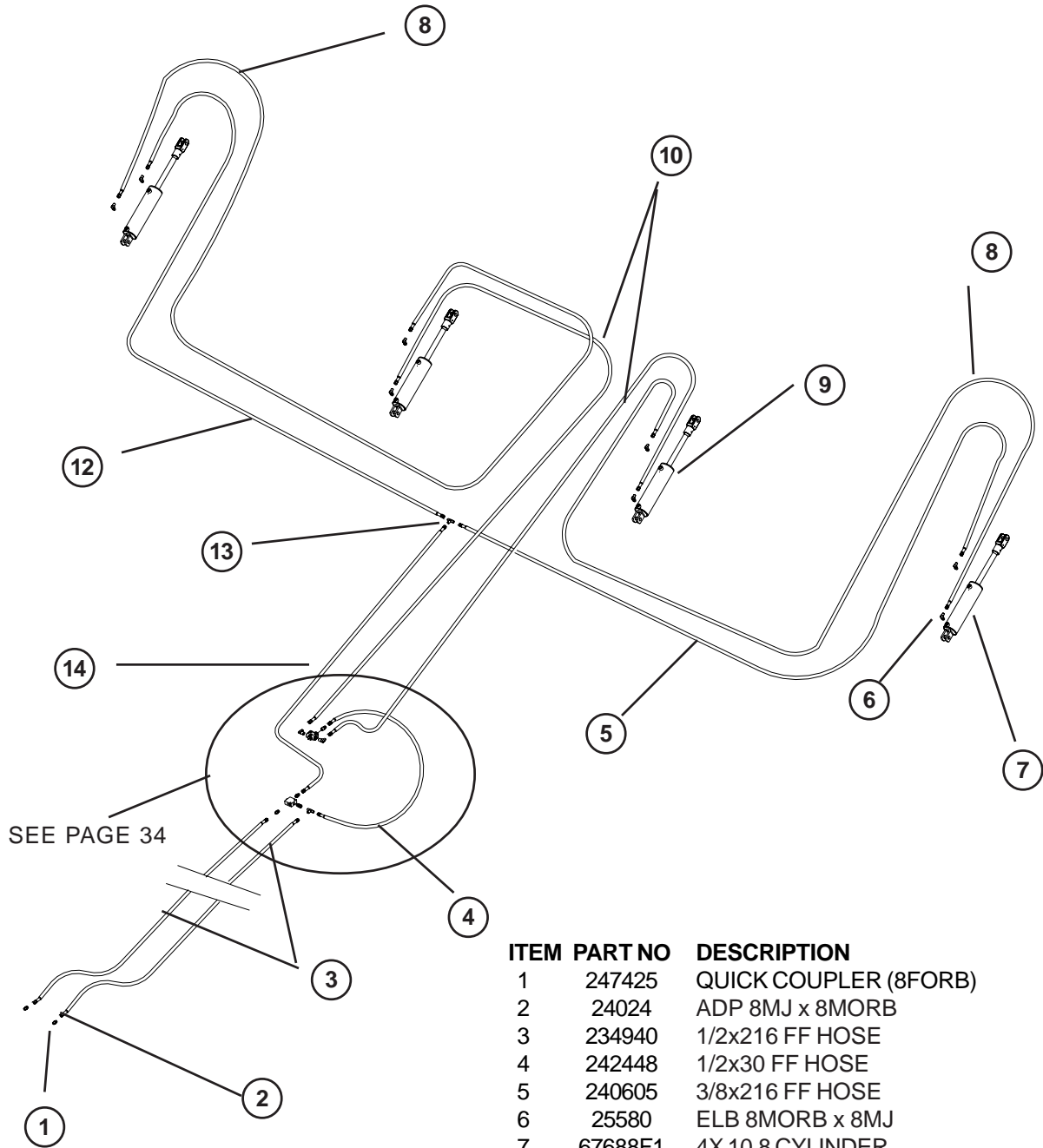
### XL<sup>2</sup> WING FOLD HYDRAULICS

#### SERIAL # 457000-459350



ITEM	PART NO	DESCRIPTION	ITEM	PART NO	DESCRIPTION
1	60640	QUICK DISCONNECT COUPLER	12	13484	HYD HOSE 3/8" x 156" FF
2	13234	ADP 8MJ X 8MPT	13	235388	HYD HOSE 3/8" x 102" FF
3	25580	ELB 8MJ X 8MORB	14	67634	HYD HOSE 3/8" x 132" FF
4	24004	ADP 8MORB X 8FJX	15	237155	HYD HOSE 3/8" x 244" FF
5	15910	CROSS 8MJ x 8MJ x 8MJ x 8MJ	16	234947	HYD HOSE 3/8" x 194" FF
6	56534	TEE 8MJ x 8MJ x 8MORB	17	235386	HYD HOSE 3/8" x 137" FF
7	13238	TEE 8MJ x 8MJ x 8MJ	18	235387	HYD HOSE 3/8" x 168" FF
8	25591	ELB 8MJ X 8FJX	19	51229F	HYD CYL 4X30 FGS #A519CY02
9	62437	ELB 8MJ X 6MORB	20	233730	SEAL KIT 4IN (FGS-SK-ACBS4Q1S)
10	233688	HYD HOSE 3/8" x 252" FF		51242F	HYD CYL 3X30 FGS#A519CY11
11	14644	HYD HOSE 3/8" x 36" FF		233729	SEAL KIT 3IN (FGS-SK-ACBZ3Q1S)

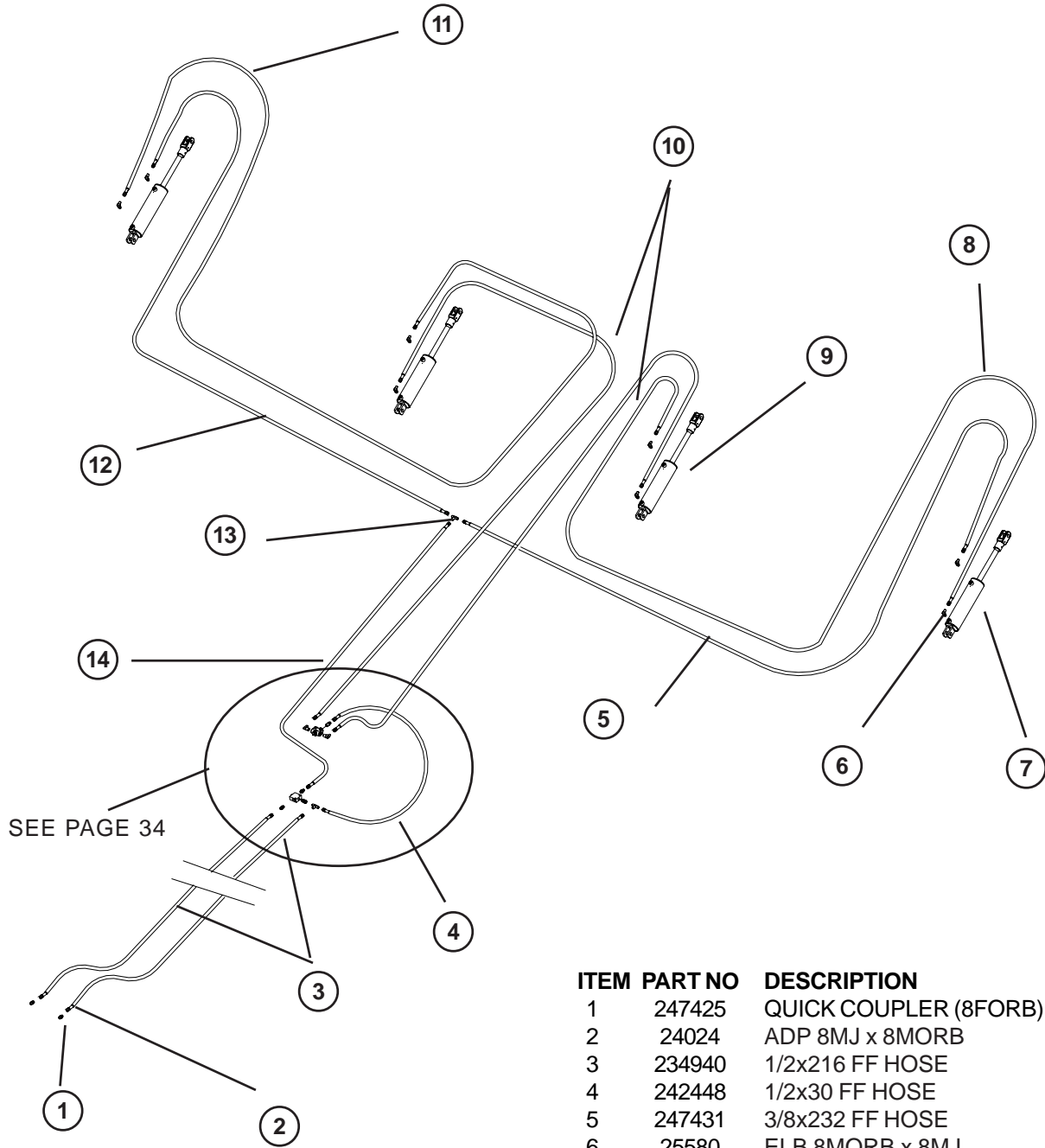
**11 XL<sup>2</sup> 25**  
**DEPTH CONTROL HYDRAULICS**  
**SERIAL # 459350 - UP**



ITEM	PART NO	DESCRIPTION
1	247425	QUICK COUPLER (8FORB)
2	24024	ADP 8MJ x 8MORB
3	234940	1/2x216 FF HOSE
4	242448	1/2x30 FF HOSE
5	240605	3/8x216 FF HOSE
6	25580	ELB 8MORB x 8MJ
7	67688F1	4X 10.8 CYLINDER
	239904	SEAL KIT 4" BP (FGS SK-ACXL4Q1S)
8	247432	3/8x400 FF HOSE
9	676831F1	4X 12.6 CYLINDER
	239904	SEAL KIT 4" BP (FGS SK-ACXL4Q1S)
10	247431	3/8x232FF HOSE
11	240605	3/8x216 FF HOSE
12	13238	TEE 8MJ x 8MJ x 8MJ
13	233250	1/2x80 FF HOSE

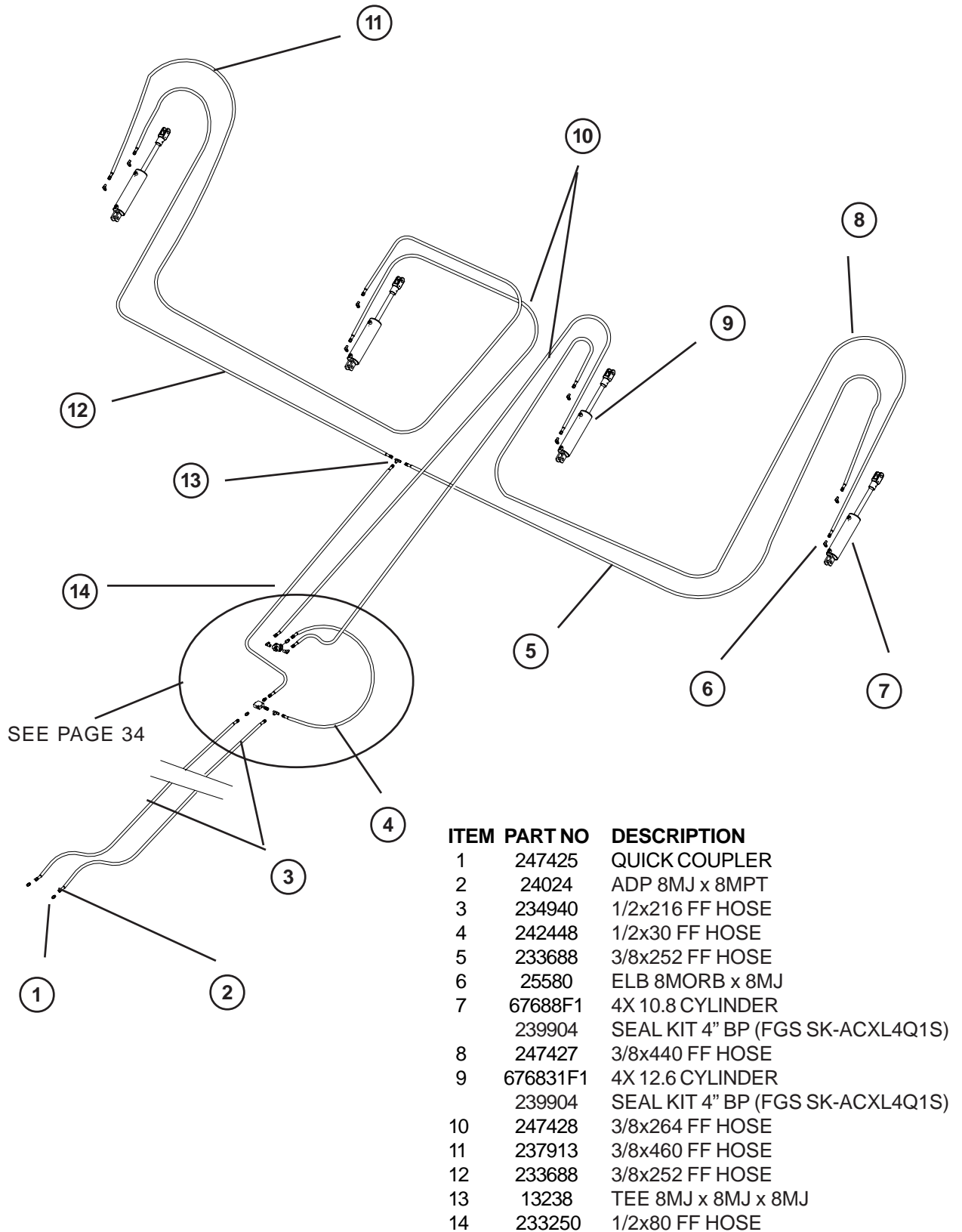
# 11 XL<sup>2</sup> 30

## DEPTH CONTROL HYDRAULICS SERIAL # 459350 - UP



ITEM	PART NO	DESCRIPTION
1	247425	QUICK COUPLER (8FORB)
2	24024	ADP 8MJ x 8MORB
3	234940	1/2x216 FF HOSE
4	242448	1/2x30 FF HOSE
5	247431	3/8x232 FF HOSE
6	25580	ELB 8MORB x 8MJ
7	67688F1	4X 10.8 CYLINDER
	239904	SEAL KIT 4" BP (FGS SK-ACXL4Q1S)
8	247432	3/8x400 FF HOSE
9	676831F1	4X 12.6 CYLINDER
	239904	SEAL KIT 4" BP (FGS SK-ACXL4Q1S)
10	247431	3/8x232FF HOSE
11	247432	3/8x400 FF HOSE
12	247431	3/8x232 FF HOSE
13	13238	TEE 8MJ x 8MJ x 8MJ
14	233250	1/2x80 FF HOSE

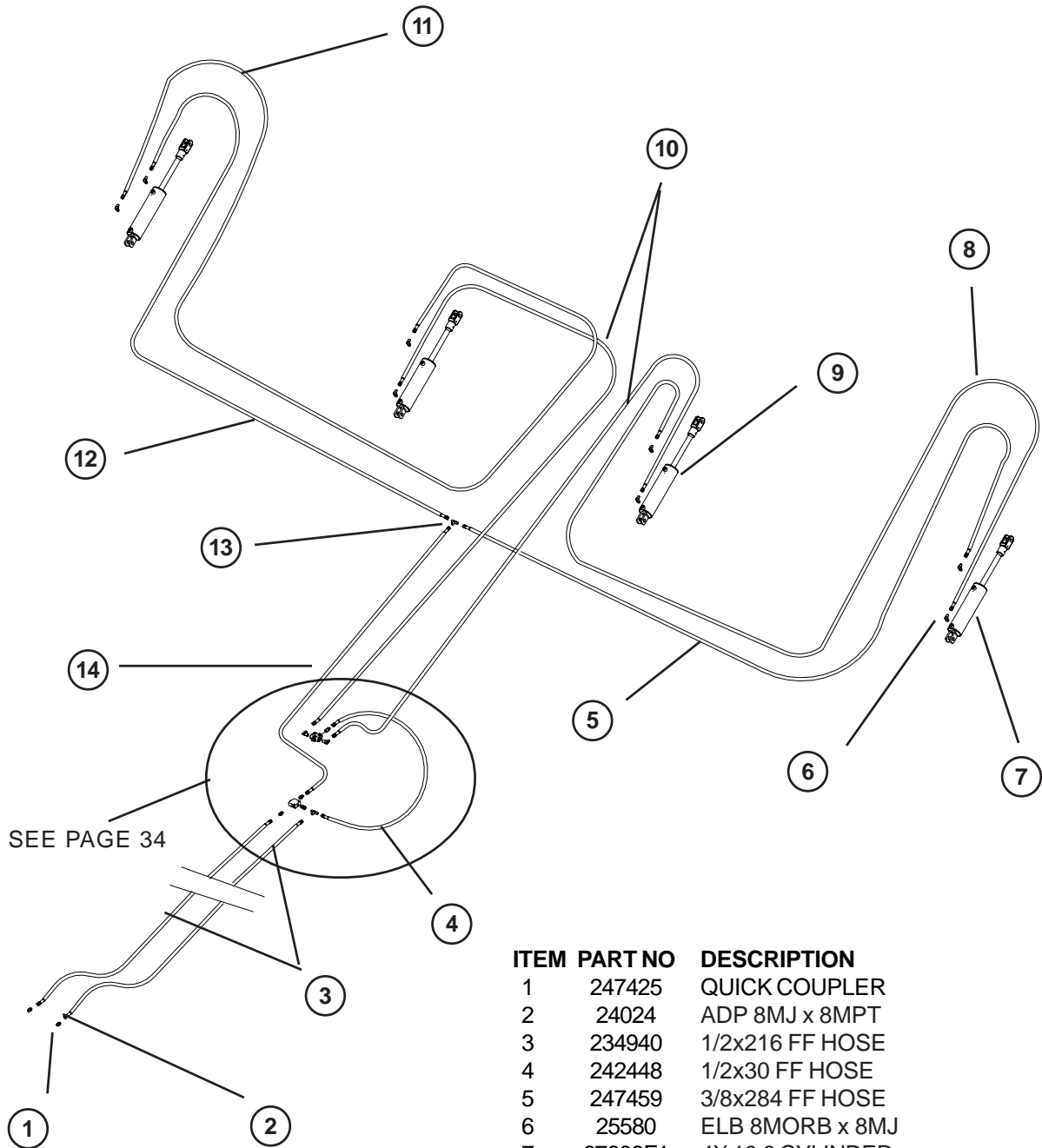
**13 XL<sup>2</sup> 32**  
**DEPTH CONTROL HYDRAULICS**  
**SERIAL # 459350 - UP**



# 13 XL<sup>2</sup> 37

## DEPTH CONTROL HYDRAULICS

SERIAL # 459350 - UP

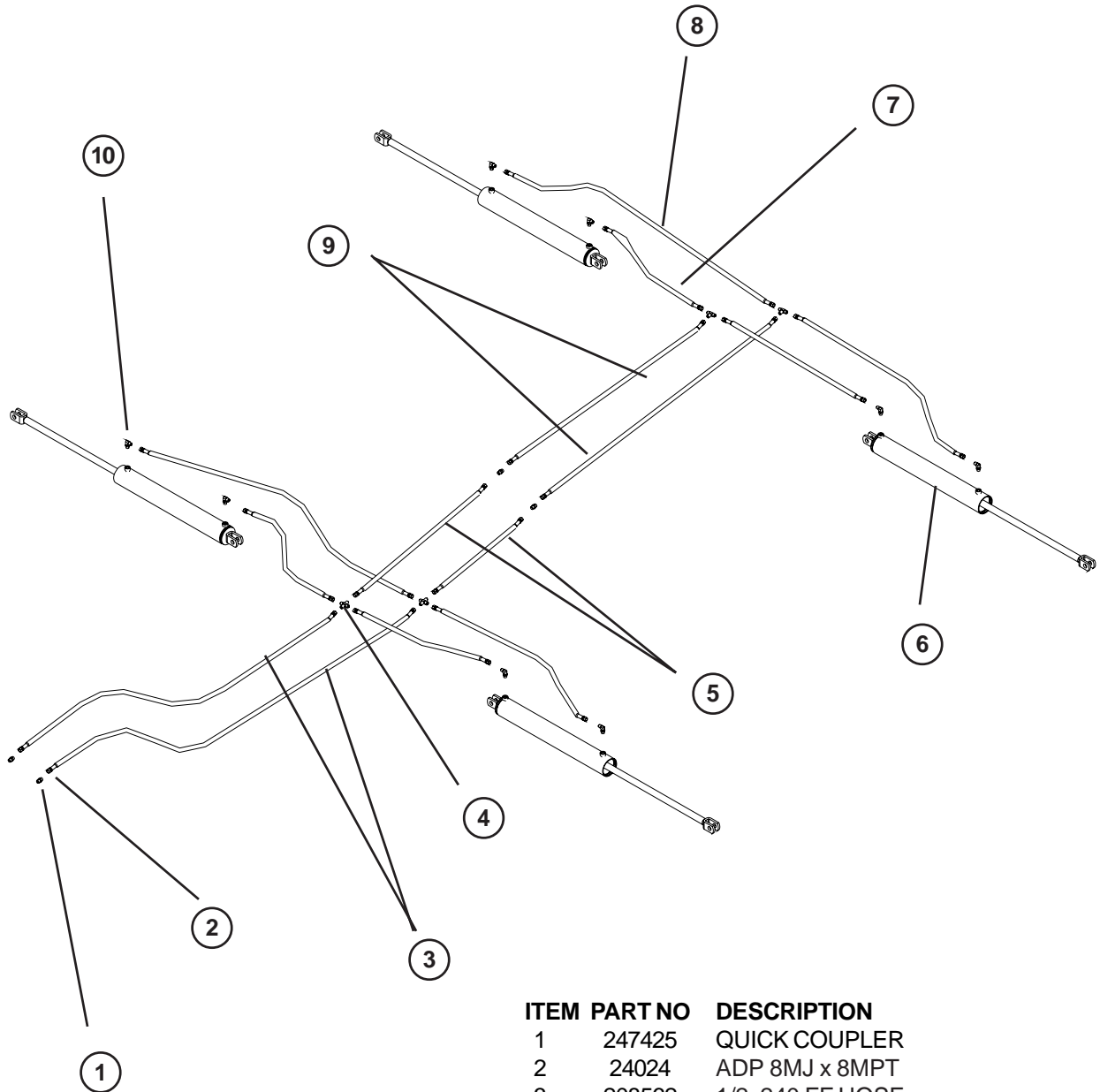


ITEM	PART NO	DESCRIPTION
1	247425	QUICK COUPLER
2	24024	ADP 8MJ x 8MPT
3	234940	1/2x216 FF HOSE
4	242448	1/2x30 FF HOSE
5	247459	3/8x284 FF HOSE
6	25580	ELB 8MORB x 8MJ
7	67688F1	4X 10.8 CYLINDER
	239904	SEAL KIT 4" BP (FGS SK-ACXL4Q1S)
8	237913	3/8x460 FF HOSE
9	676831F1	4X 12.6 CYLINDER
	239904	SEAL KIT 4" BP (FGS SK-ACXL4Q1S)
10	247428	3/8x264 FF HOSE
11	237913	3/8x460 FF HOSE
12	247459	3/8x284 FF HOSE
13	13238	TEE 8MJ x 8MJ x 8MJ
14	233250	1/2x80 FF HOSE



# 11 XL<sup>2</sup> 30

## FOLD HYDRAULICS SERIAL # 459350 - UP

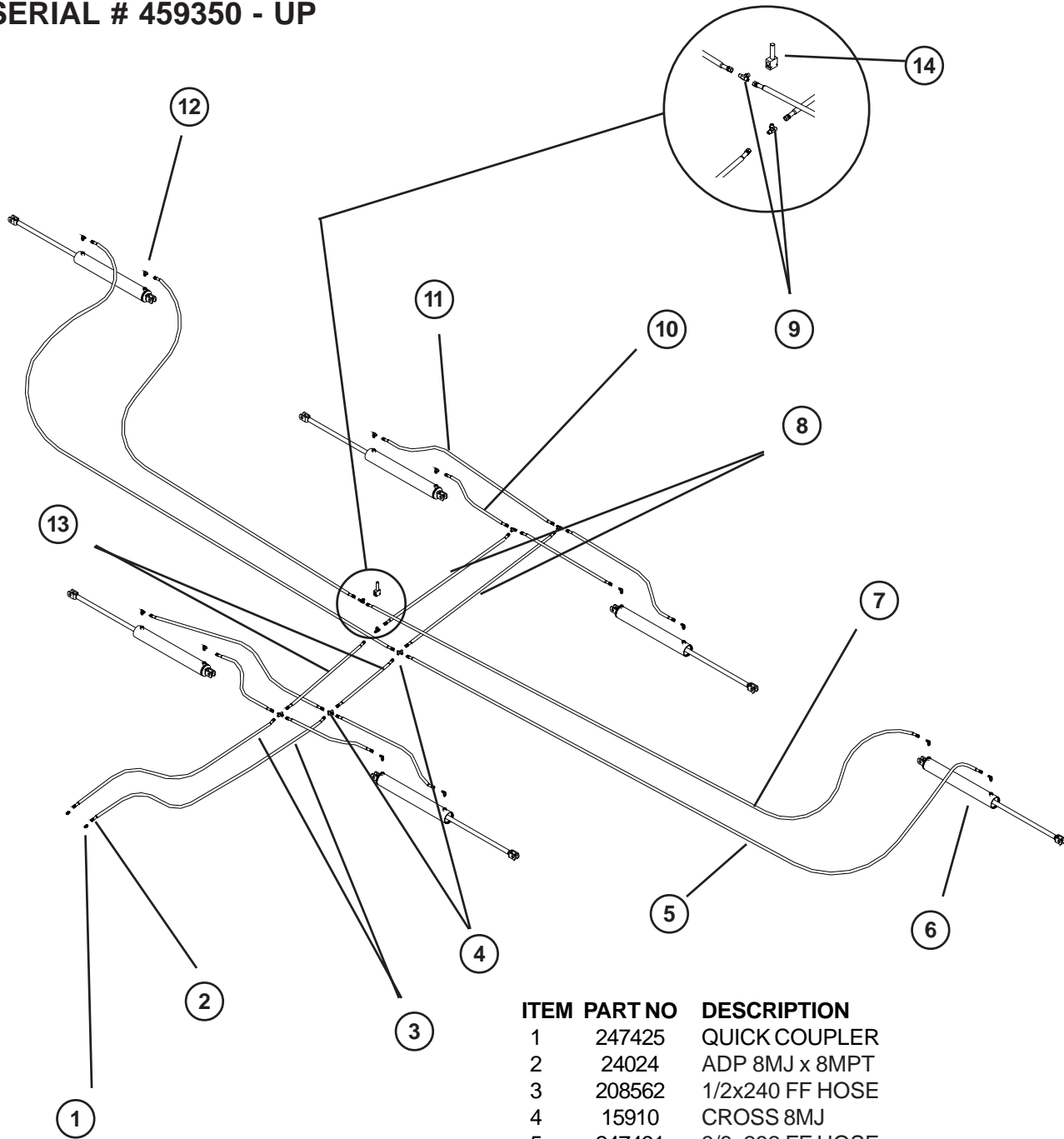


ITEM	PART NO	DESCRIPTION
1	247425	QUICK COUPLER
2	24024	ADP 8MJ x 8MPT
3	208562	1/2x240 FF HOSE
4	15910	CROSS 8MJ
5	25602	1/2x65 FF HOSE
6	51229F	4 X 30 CYLINDER
	233730	SEAL KIT 4IN (FGS-SK-ACBS4Q1S)
7	13423	3/8x24 FF HOSE
8	13265	3/8x56 FF HOSE
9	25602	3/8x65 FF HOSE
10	25580	ELB 8MORBx 8MJ

# 11 XL<sup>2</sup> 30 W/OUTER WINGS

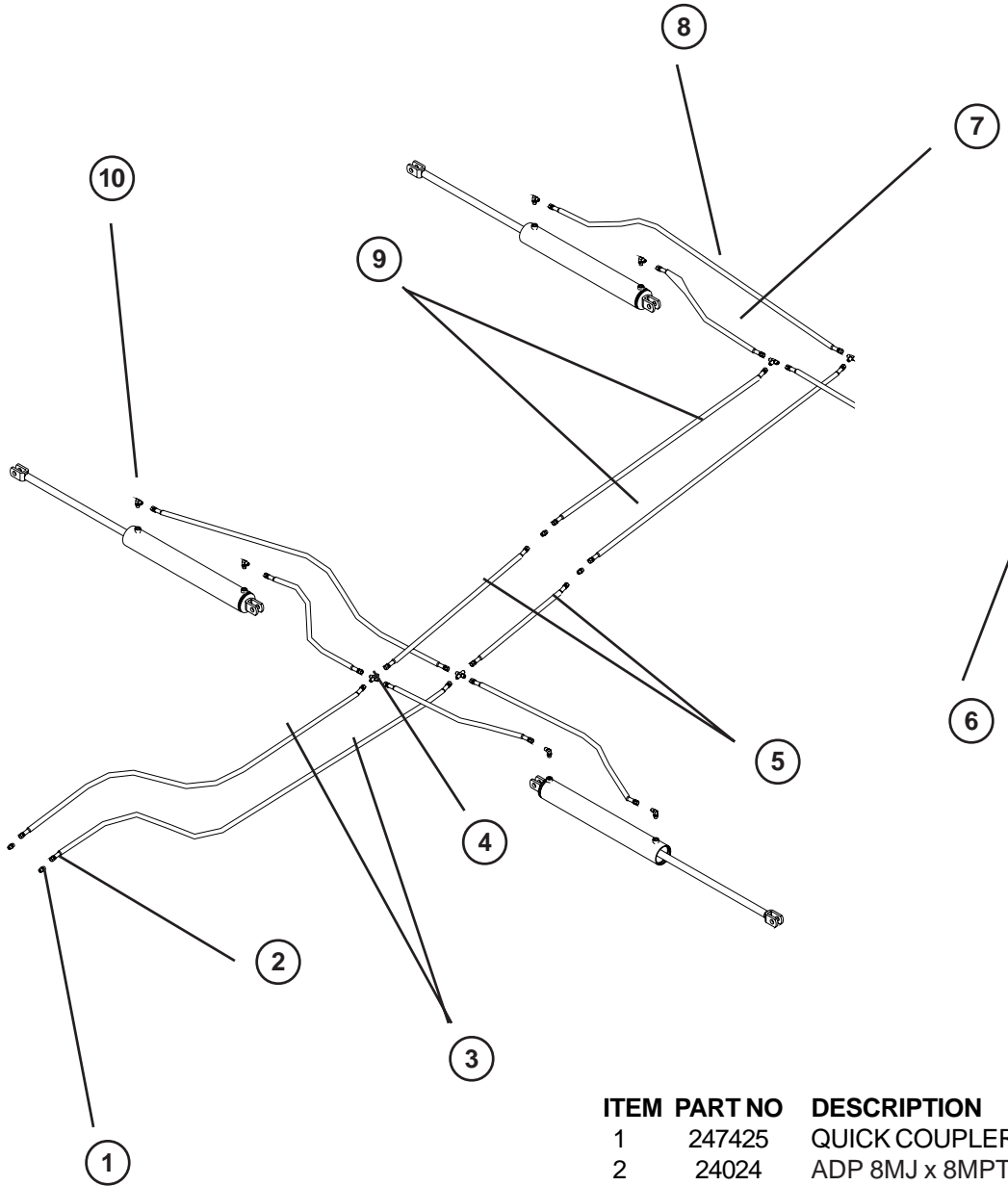
## FOLD HYDRAULICS

SERIAL # 459350 - UP



ITEM	PART NO	DESCRIPTION
1	247425	QUICK COUPLER
2	24024	ADP 8MJ x 8MPT
3	208562	1/2x240 FF HOSE
4	15910	CROSS 8MJ
5	247431	3/8x232 FF HOSE
6	51229F	4 X 30 CYLINDER
	233730	SEAL KIT 4IN (FGS-SK-ACBS4Q1S)
7	240605	3/8x216 FF HOSE
8	25602	3/8x65 FF HOSE
9	56534	TEE 8MJ X 8MJ X8ORB
10	13423	3/8x24 FF HOSE
11	13265	3/8x56 FF HOSE
12	25580	ELB 8MORB x 8MJ
13	25602	1/2x65 FF HOSE
14	65870	SEQUENCE VALVE

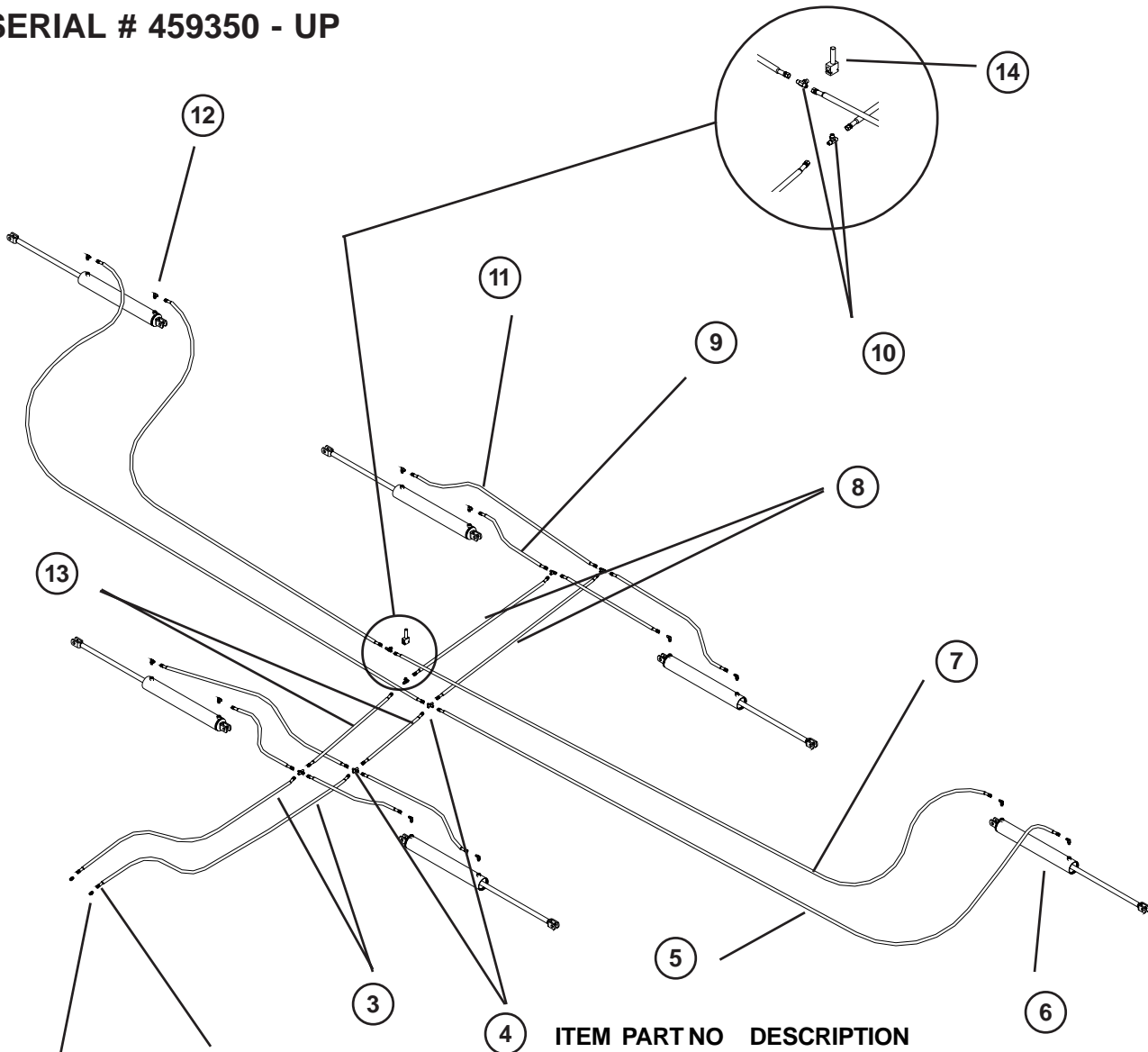
**13 XL<sup>2</sup> 32 & 37**  
**FOLD HYDRAULICS**  
**SERIAL # 459350 - UP**



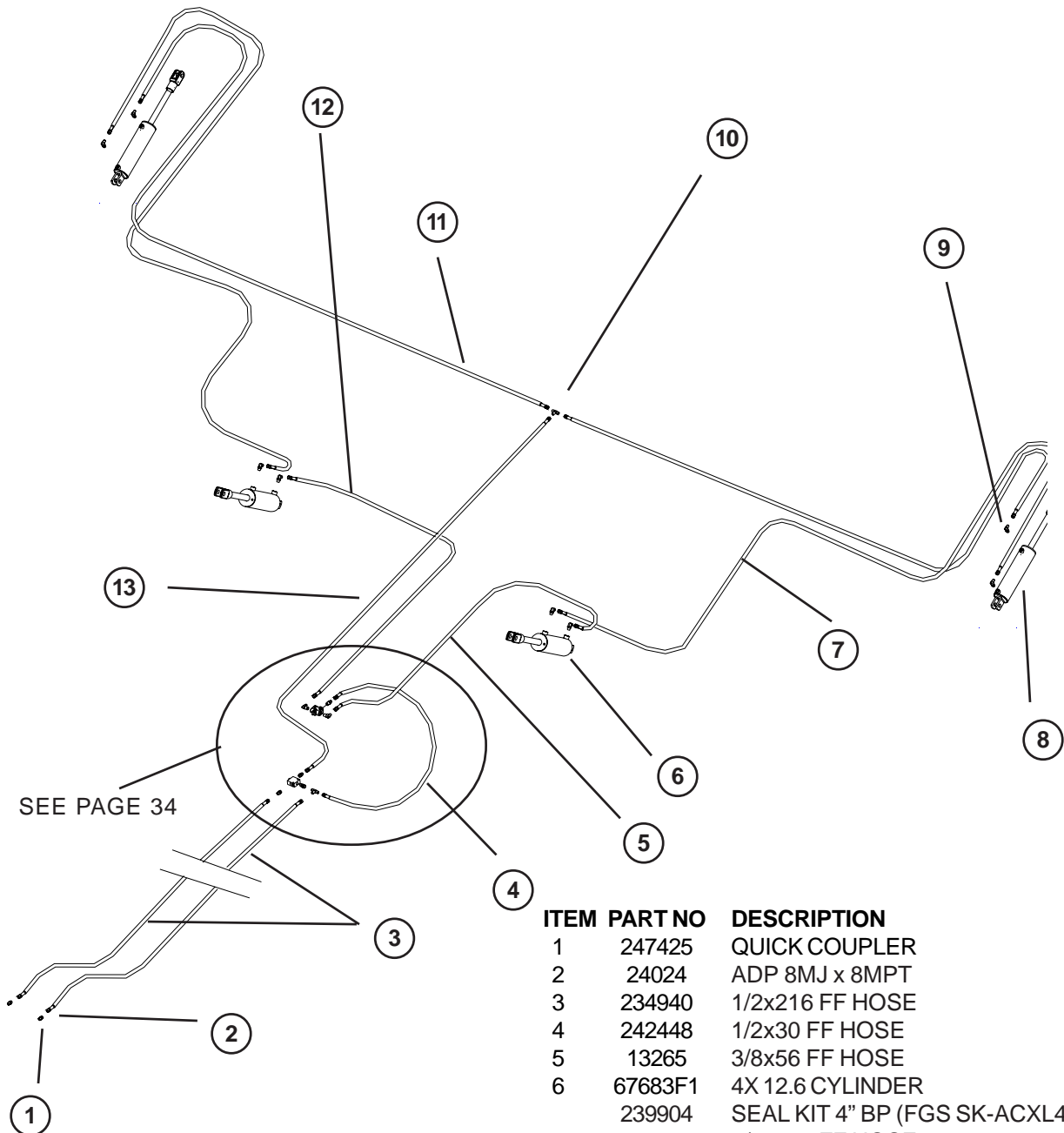
ITEM	PART NO	DESCRIPTION
1	247425	QUICK COUPLER
2	24024	ADP 8MJ x 8MPT
3	208562	1/2x240 FF HOSE
4	15910	CROSS 8MJ
5	25602	1/2x65 FF HOSE
6	51229F	4 X 30 CYLINDER
	233730	SEAL KIT 4IN (FGS-SK-ACBS4Q1S)
7	14644	3/8x36 FF HOSE
8	67636	3/8x72 FF HOSE
9	25602	3/8x65 FF HOSE
10	25580	ELB 8MORBx 8MJ

# 13 XL<sup>2</sup> 32 & 37 W/OUTER WINGS

FOLD HYDRAULICS  
SERIAL # 459350 - UP



ITEM	PART NO	DESCRIPTION
1	247425	QUICK COUPLER
2	24024	ADP 8MJ x 8MPT
3	208562	1/2x240 FF HOSE
4	15910	CROSS 8MJ
5	67576	3/8x244 (13-32) FF HOSE
	237155)	3/ 8x276 (13-37) FF HOSE
6	51229F	4 X 30 CYLINDER
	233730	SEAL KIT 4IN (FGS-SK-ACBS4Q1S)
7	247428	3/8x232 FF HOSE (13-32)
	247431	3/8x264 FF HOSE (13-37)
8	56534	3/8x65 FF HOSE
9	14844	3/8x36 FF HOSE
10	56534	TEE 8MJ X 8MJ X8ORB
11	67636	3/8x72 FF HOSE
12	25580	ELB 8MORB x 8MJ
13	25602	1/2x65 FF HOSE
14	65870	SEQUENCE VALVE

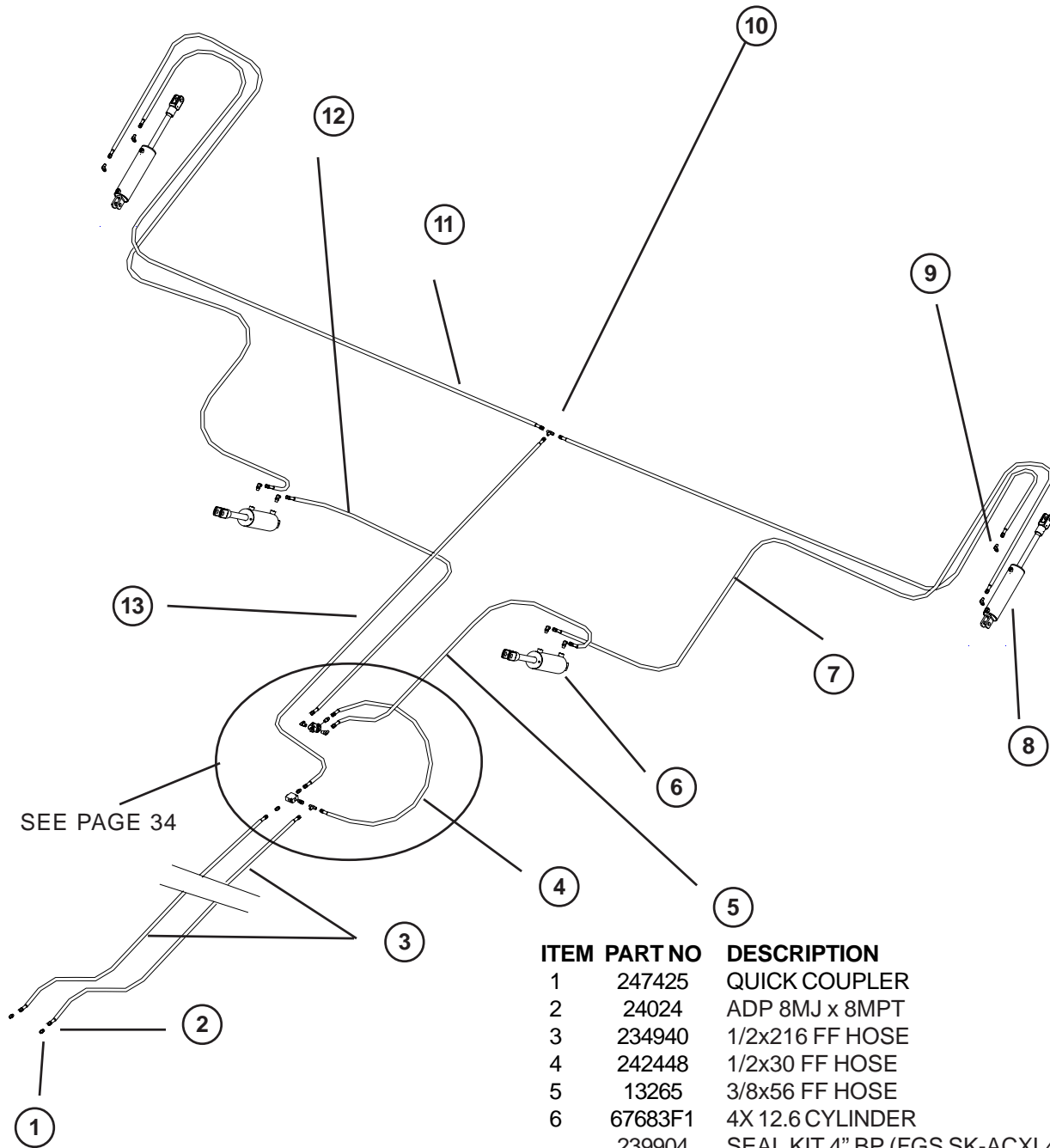
**DEPTH CONTROL HYDRAULICS  
SERIAL # 459350 - UP**

ITEM	PART NO	DESCRIPTION
1	247425	QUICK COUPLER
2	24024	ADP 8MJ x 8MPT
3	234940	1/2x216 FF HOSE
4	242448	1/2x30 FF HOSE
5	13265	3/8x56 FF HOSE
6	67683F1	4X 12.6 CYLINDER
	239904	SEAL KIT 4" BP (FGS SK-ACXL4Q1S)
7	234939	3/8x220 FF HOSE
8	67688F1	4X 10.8 CYLINDER
	239904	SEAL KIT 4" BP (FGS SK-ACXL4Q1S)
9	25580	ELB 8MORB x 8MJ
10	13238	TEE 8MJ x8MJ x 8MJ
11	247431	3/8x232 FF HOSE
12	13484	3/8x156 FF HOSE
13	233250	1/2x80 FF HOSE

# QX<sup>2</sup> 32

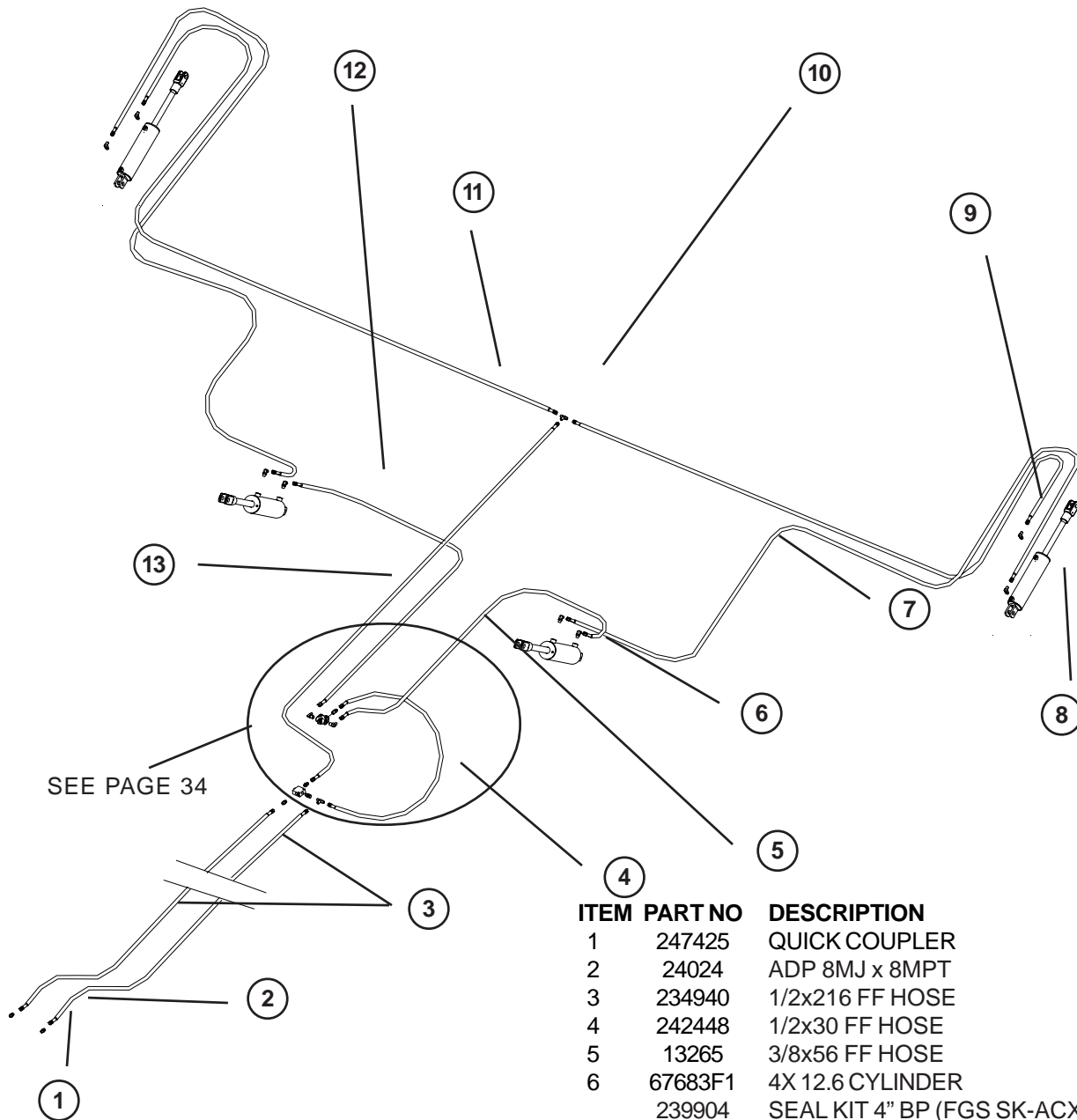
## DEPTH CONTROL HYDRAULICS

SERIAL # 459350 - UP



ITEM	PART NO	DESCRIPTION
1	247425	QUICK COUPLER
2	24024	ADP 8MJ x 8MPT
3	234940	1/2x216 FF HOSE
4	242448	1/2x30 FF HOSE
5	13265	3/8x56 FF HOSE
6	67683F1	4X 12.6 CYLINDER
	239904	SEAL KIT 4" BP (FGS SK-ACXL4Q1S)
7	233688	3/8x252 FF HOSE
8	67688F1	4X 10.8 CYLINDER
	239904	SEAL KIT 4" BP (FGS SK-ACXL4Q1S)
9	25580	ELB 8MORB x 8MJ
10	13238	TEE 8MJ x8MJ x 8MJ
11	233688	3/8x252 FF HOSE
12	13484	3/8x156 FF HOSE
13	233250	1/2x80 FF HOSE

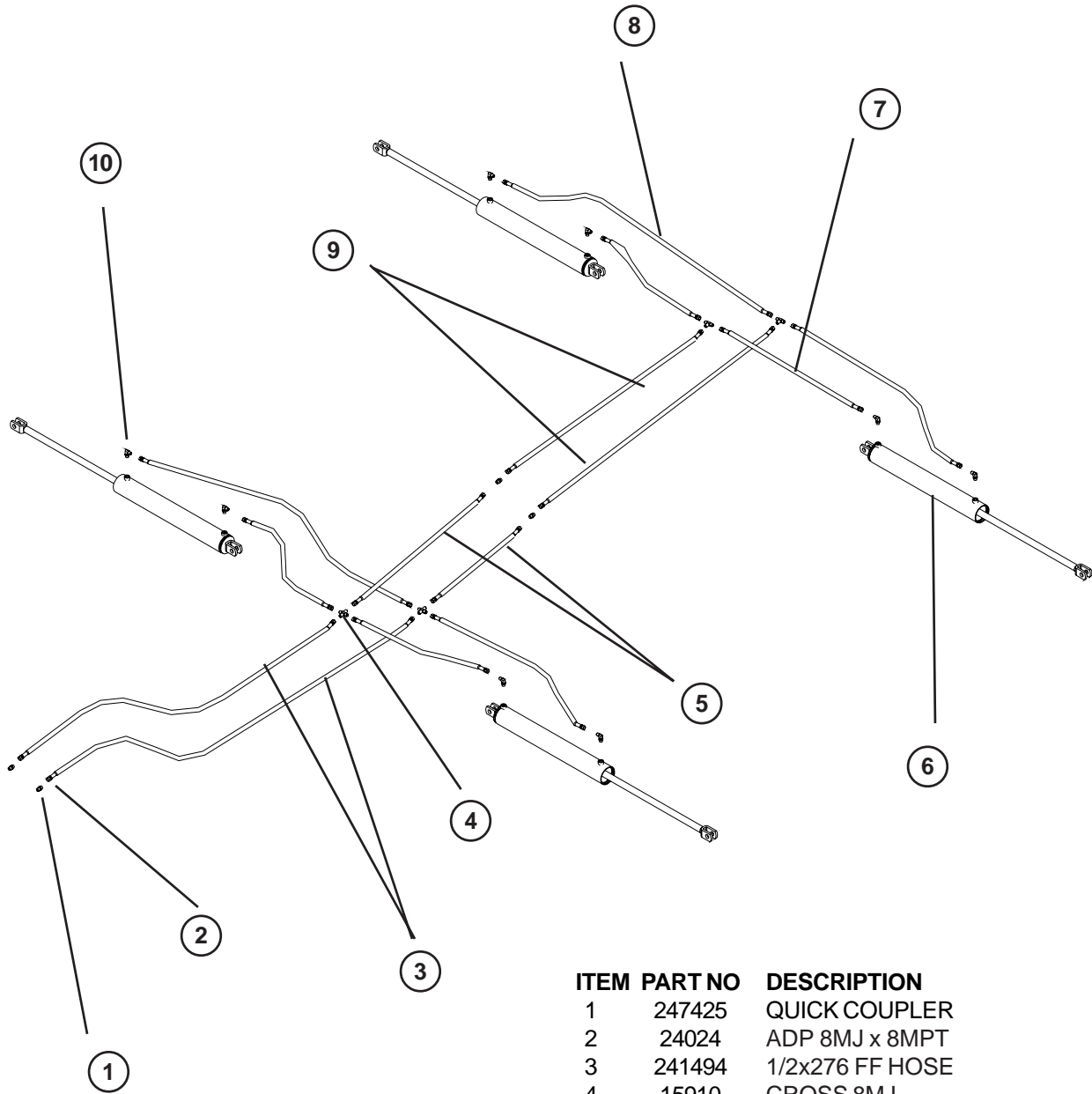
**DEPTH CONTROL HYDRAULICS  
SERIAL # 459350 - UP**



ITEM	PART NO	DESCRIPTION
1	247425	QUICK COUPLER
2	24024	ADP 8MJ x 8MPT
3	234940	1/2x216 FF HOSE
4	242448	1/2x30 FF HOSE
5	13265	3/8x56 FF HOSE
6	67683F1	4X 12.6 CYLINDER
	239904	SEAL KIT 4" BP (FGS SK-ACXL4Q1S)
7	67576	3/8x276 FF HOSE
8	67688F1	4X 10.8 CYLINDER
	239904	SEAL KIT 4" BP (FGS SK-ACXL4Q1S)
9	25580	ELB 8MORB x 8MJ
10	13238	TEE 8MJ x8MJ x 8MJ
11	247459	3/8x284 FF HOSE
12	13484	3/8x156 FF HOSE
13	233250	1/2x80 FF HOSE



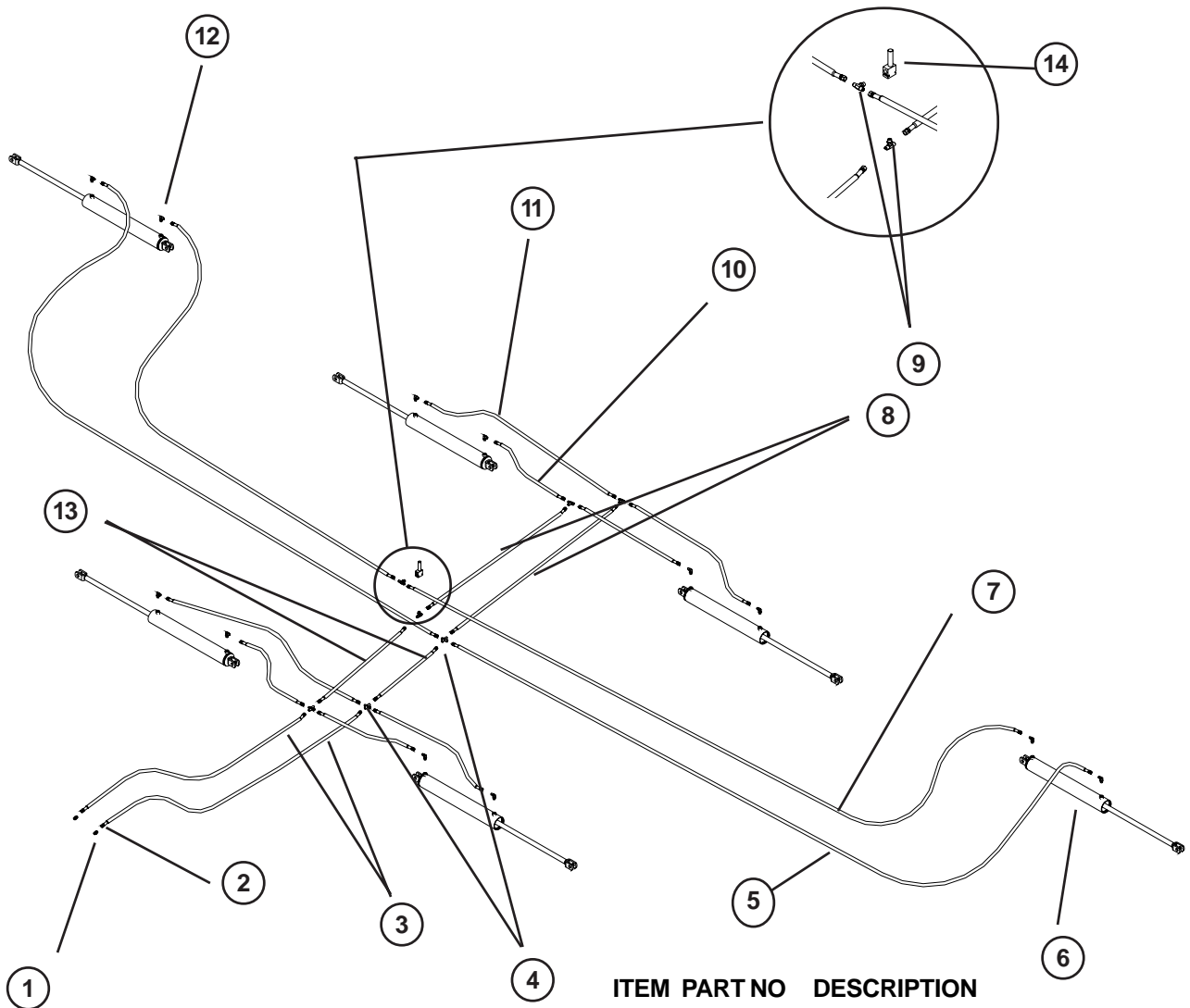
**13 QX<sup>2</sup> 32 & 37**  
**FOLD HYDRAULICS**  
**SERIAL # 459350 - UP**



ITEM	PART NO	DESCRIPTION
1	247425	QUICK COUPLER
2	24024	ADP 8MJ x 8MPT
3	241494	1/2x276 FF HOSE
4	15910	CROSS 8MJ
5	242448	1/2x30 FF HOSE
	233730	SEAL KIT 4IN (FGS-SK-ACBS4Q1S)
6	51229F	4 X 30 CYLINDER
7	14644	3/8x36 FF HOSE
8	67636	3/8x72 FF HOSE
9	25602	3/8x65 FF HOSE
10	25580	ELB 8MORB x 8MJ

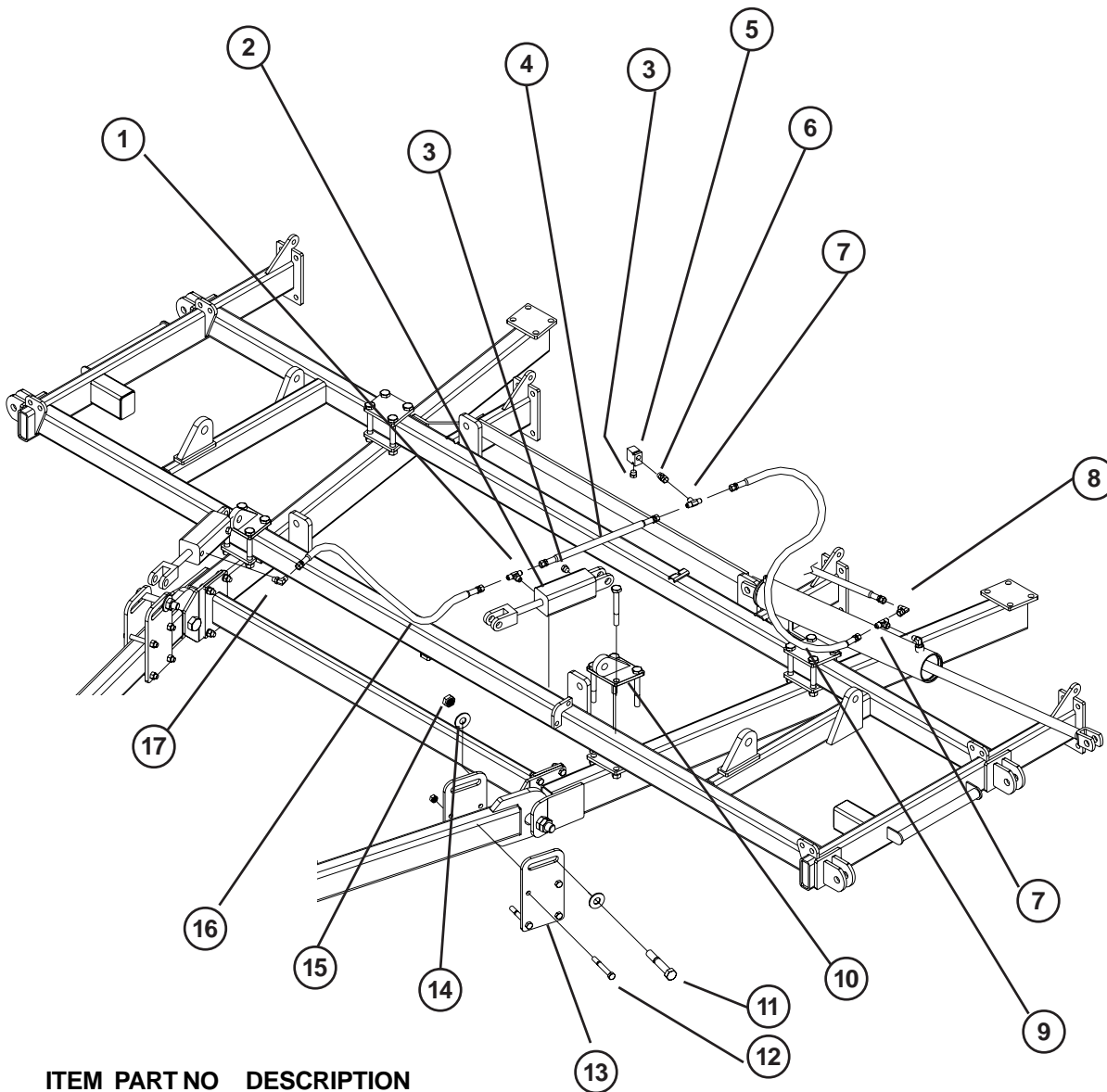
# 13 QX<sup>2</sup> 32 & 37 W/OUTER WINGS

FOLD HYDRAULICS  
SERIAL # 459350 - UP



ITEM	PART NO	DESCRIPTION
1	247425	QUICK COUPLER
2	24024	ADP 8MJ x 8MPT
3	241494	1/2x276 FF HOSE
4	15910	CROSS 8MJ
5	237155	3/8x244 (13-32) FF HOSE
	67576	3/8x276 (13-37) FF HOSE
6	51229F	4 X 30 CYLINDER
	233730	SEAL KIT 4IN (FGS-SK-ACBS4Q1S)
7	247431	3/8x232 FF HOSE (13-32)
	247428	3/8x264 FF HOSE (13-37)
8	25602	3/8x65 FF HOSE
9	56534	TEE 8MJ X 8MJ X8ORB
10	14644	3/8x36 FF HOSE
11	67636	3/8x72 FF HOSE
12	25580	ELB 8MORB x 8MJ
13	247430	11/2x30 FF HOSE
14	65870	SEQUENCE VALVE

# OPTIONAL - HYD WEIGHT BALANCE KIT

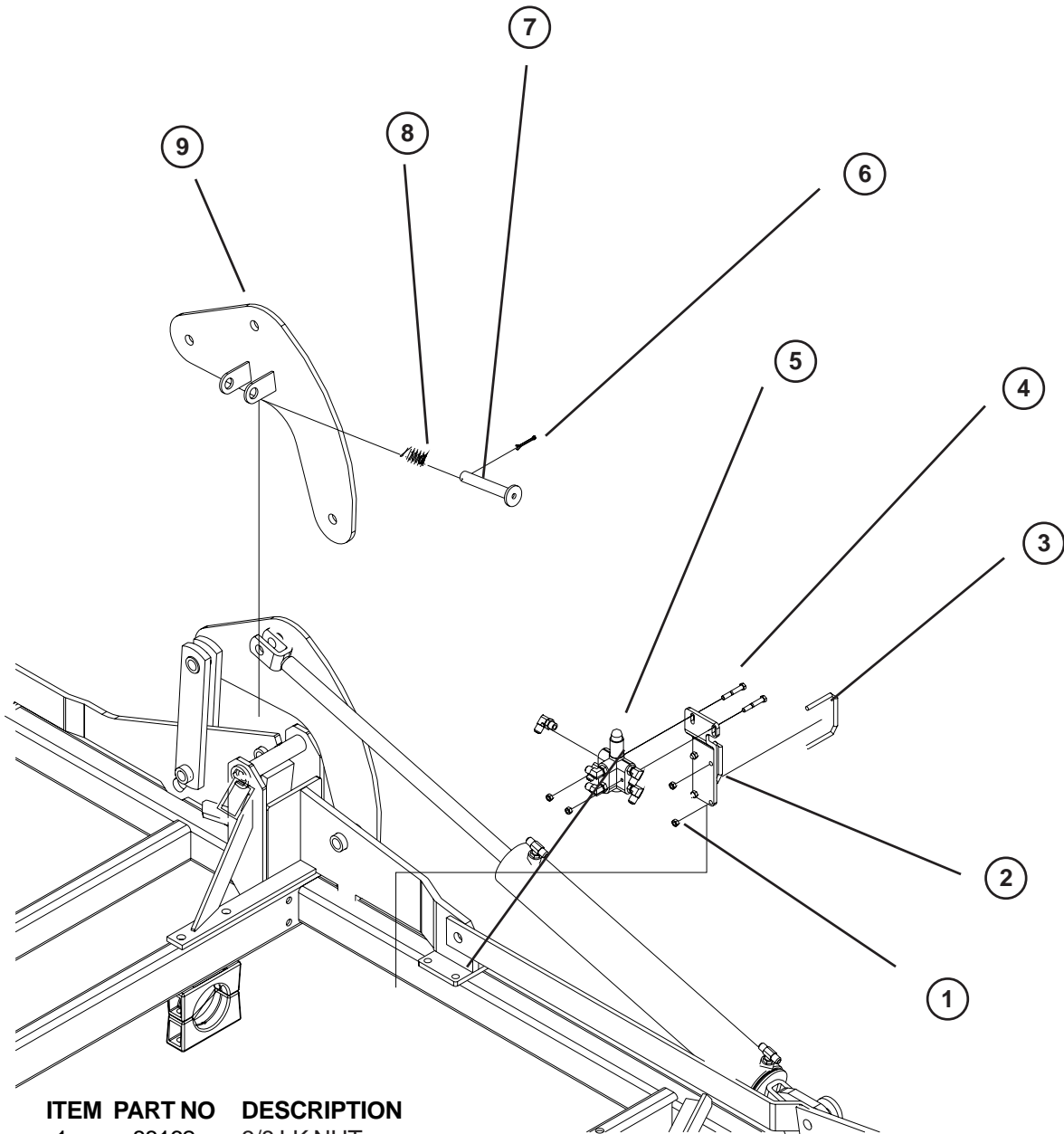


700740

ITEM	PART NO	DESCRIPTION
1	56534	TEE 8MJ X 8MJ X 8MORB
2	223324	CYLINDER 2-1/2 X 8
3	247435	BREATHER
4	13423	3/8 X 24 FF HOSE
5	247423	RELIEF VALVE
6	24004	ADP 8MORB X 8FJX
7	13238	TEE 8MJ X 8MJ X 8MJ
8	25591	ELB 8MJ X 8FJX
9	56539	3/8 X 50 FF HOSE
10	247418	ANCHOR (LH)
	247417	ANCHOR (RH)
11	88264	BOLT 1 X 6
12	88395	BOLT 5/8 X 5

ITEM	PART NO	DESCRIPTION
13	247421	PLATE
14	88196	1" FLAT WASHER
15	88348	1" LK NUT
16	67636	3/8 X 72 FF HOSE
17	25580	ELB 8MORB X 8MJ

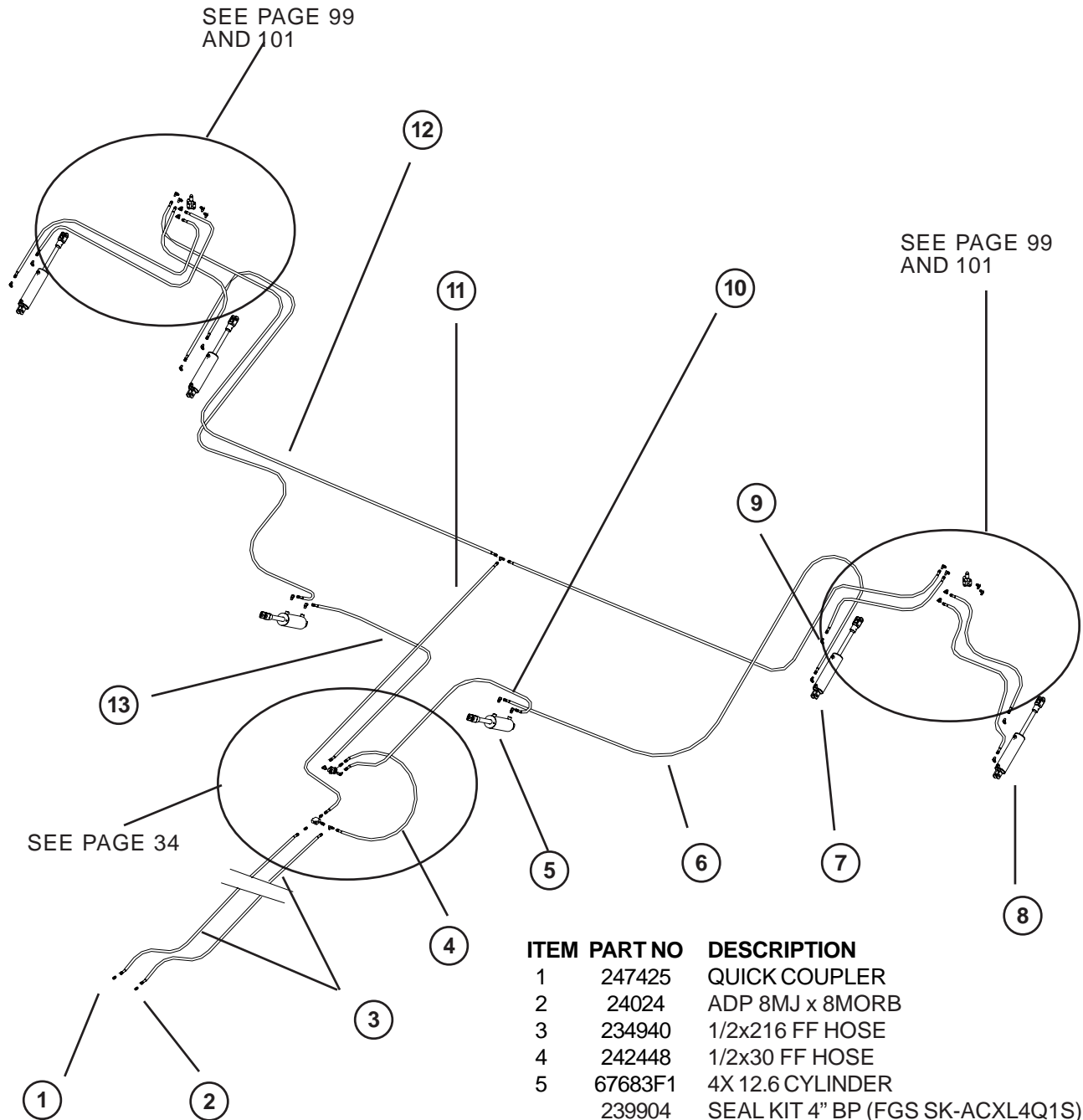
**VALVE MOUNT**  
**SERIAL # 459350 - UP**



ITEM	PART NO	DESCRIPTION
1	88162	3/8 LK NUT
2	247265	MOUNT PLATE (RH)
	247235	MOUNT PLATE (LH)
3	88514	BLT-U 3/8-16NCX4X3-3/4
4	89012	BLT HEX 3/8-16NC X 2-1/2
5	247257	SELECTOR VALVE
6	247234	PIN COT 3/16DIAX2
7	67576	3/8x276 FF HOSE
8	69302	SPRING
9	247233	OUTER WING FOLD PLATE W/ EARS LH
	247261	OUTER WING FOLD PLATE W/ EARS RH

# QX<sup>2</sup> 46

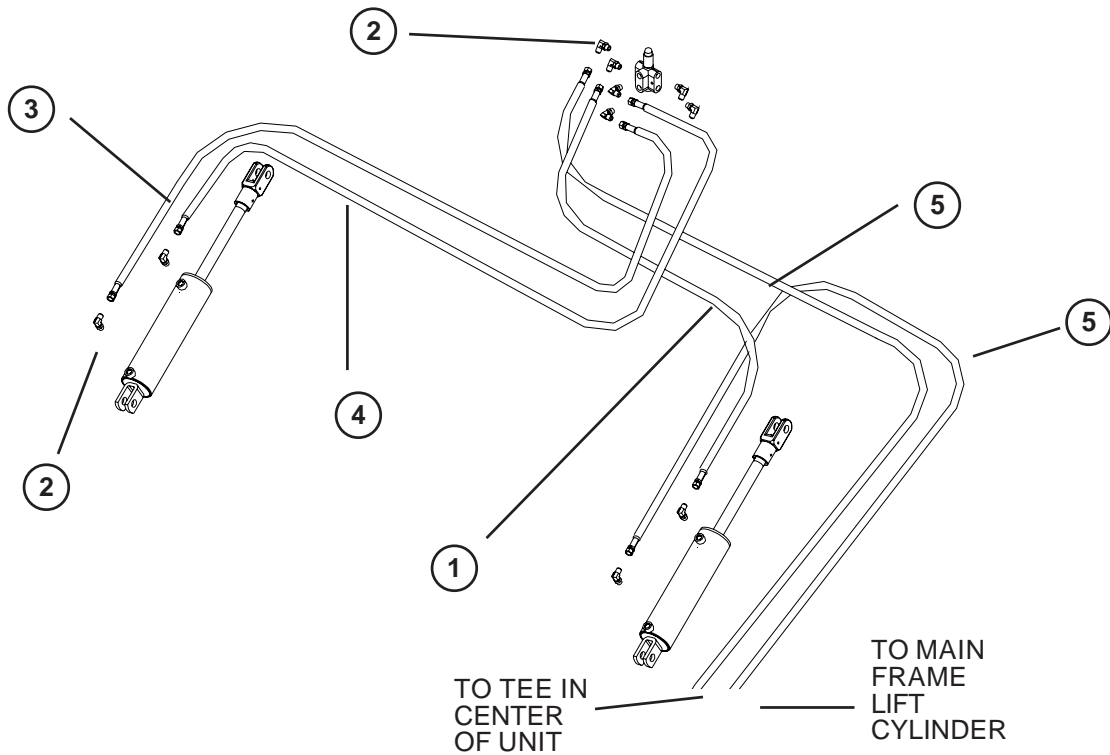
## DEPTH CONTROL HYDRAULICS SERIAL # 459350 - UP



ITEM	PART NO	DESCRIPTION
1	247425	QUICK COUPLER
2	24024	ADP 8MJ x 8MORB
3	234940	1/2x216 FF HOSE
4	242448	1/2x30 FF HOSE
5	67683F1	4X 12.6 CYLINDER
	239904	SEAL KIT 4" BP (FGS SK-ACXL4Q1S)
6	233688	3/8x252 FF HOSE
7	67688F1	4X 10.8 CYLINDER
	239904	SEAL KIT 4" BP (FGS SK-ACXL4Q1S)
8	220761F1	4X 9.3 CYLINDER
	239904	SEAL KIT 4" BP (FGS SK-ACXL4Q1S)
9	25580	ELB 8MORB x 8MJ
10	13265	3/8x56 FF HOSE
11	233250	1/2x80 FF HOSE
12	233688	3/8x252 FF HOSE
13	13484	3/8x156 FF HOSE

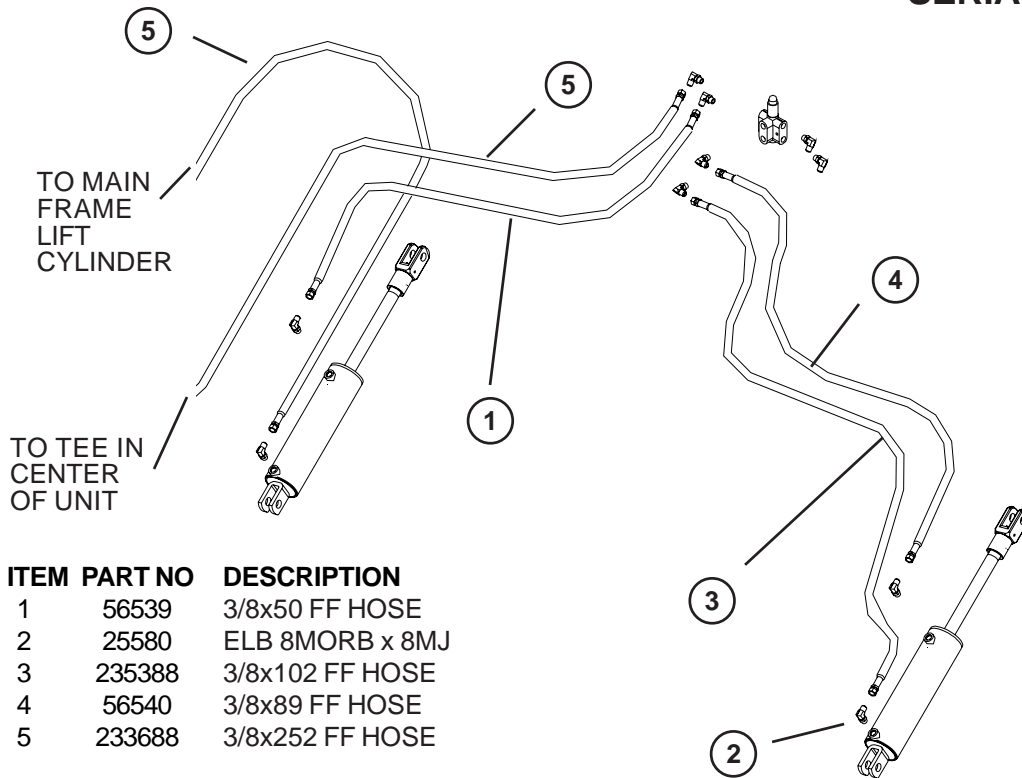
# QX<sup>2</sup> 46 RIGHT OUTER WING MAIN LIFT

SERIAL # 459350 - UP



# QX<sup>2</sup> 46 LEFT OUTER WING MAIN LIFT

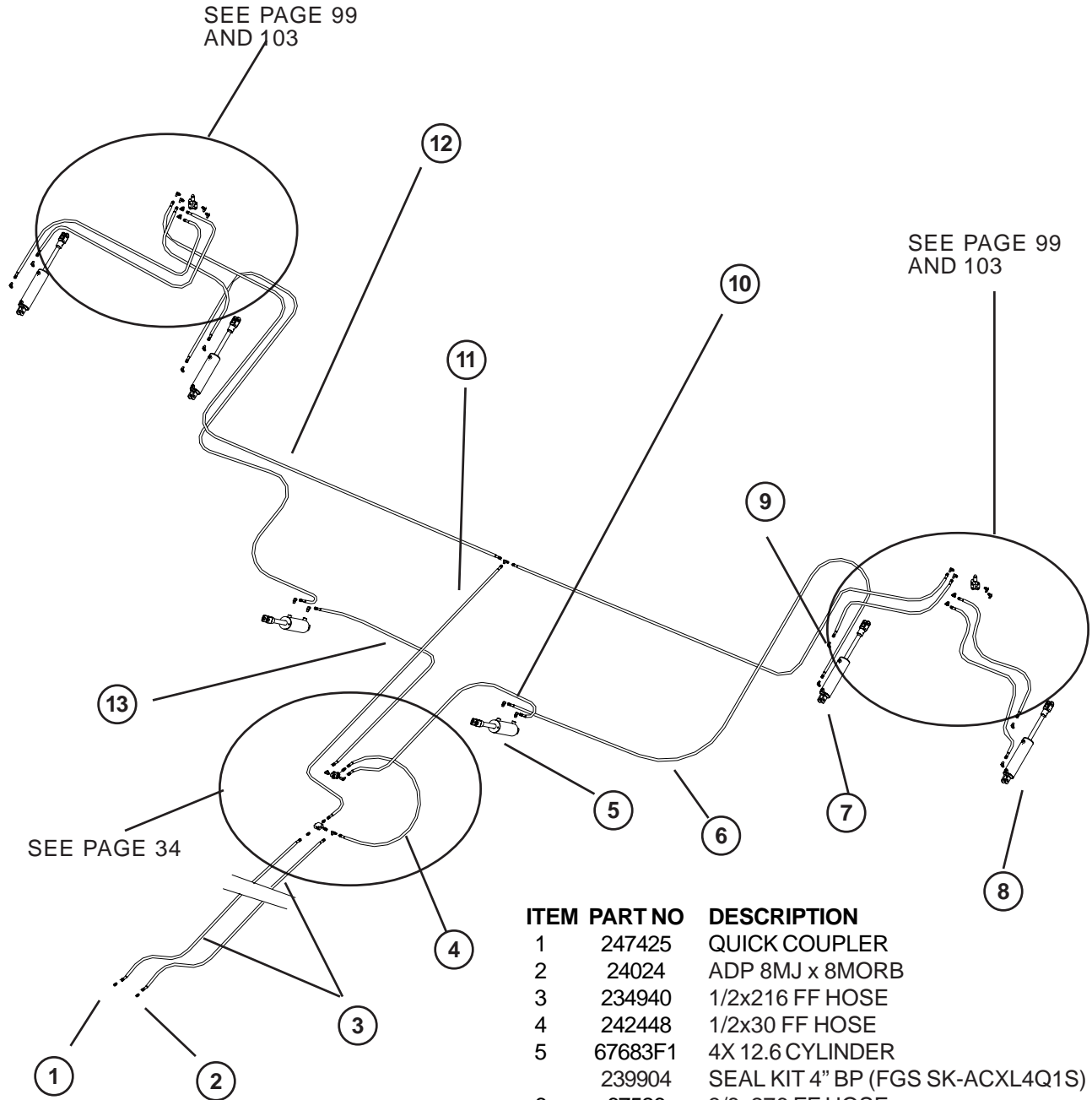
SERIAL # 459350 - UP



ITEM	PART NO	DESCRIPTION
1	56539	3/8x50 FF HOSE
2	25580	ELB 8MORB x 8MJ
3	235388	3/8x102 FF HOSE
4	56540	3/8x89 FF HOSE
5	233688	3/8x252 FF HOSE

# QX<sup>2</sup> 50

## DEPTH CONTROL HYDRAULICS SERIAL # 459350 - UP

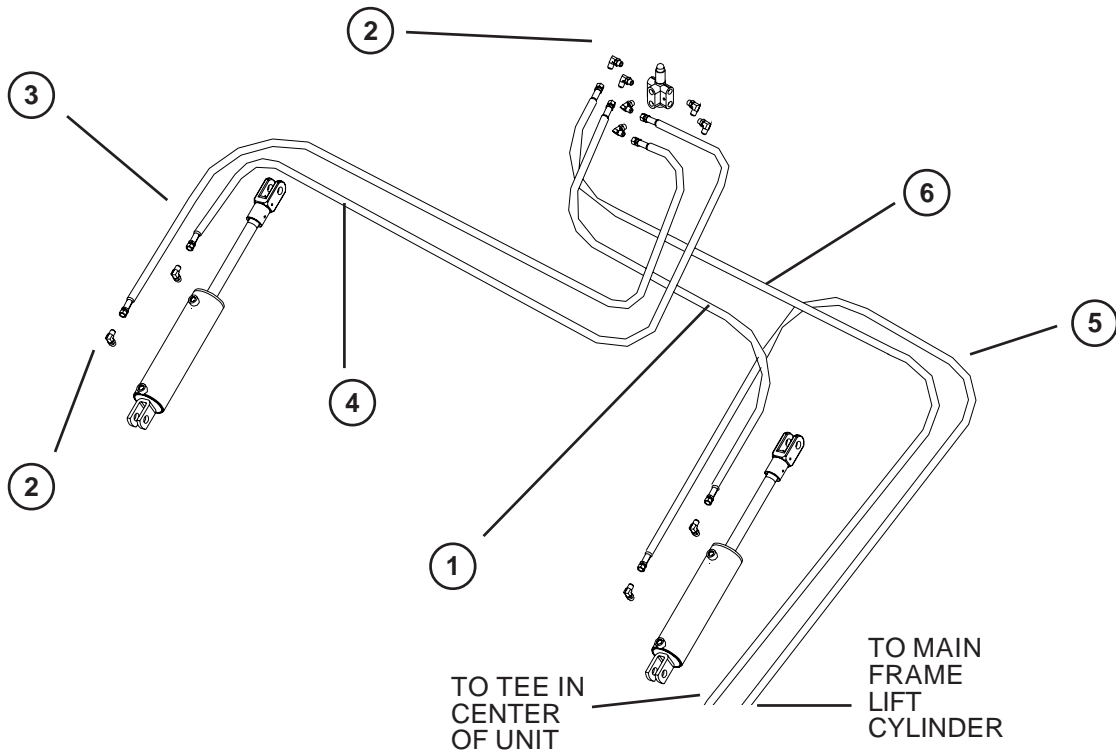


ITEM	PART NO	DESCRIPTION
1	247425	QUICK COUPLER
2	24024	ADP 8MJ x 8MORB
3	234940	1/2x216 FF HOSE
4	242448	1/2x30 FF HOSE
5	67683F1	4X 12.6 CYLINDER
	239904	SEAL KIT 4" BP (FGS SK-ACXL4Q1S)
6	67526	3/8x276 FF HOSE
7	67688F1	4X 10.8 CYLINDER
	239904	SEAL KIT 4" BP (FGS SK-ACXL4Q1S)
8	220761F1	4X 9.3 CYLINDER
	239904	SEAL KIT 4" BP (FGS SK-ACXL4Q1S)
9	25580	ELB 8MORB x 8MJ
10	13265	3/8x56 FF HOSE
11	233250	1/2x80 FF HOSE
12	247459	3/8x284 FF HOSE
13	13484	3/8x156 FF HOSE



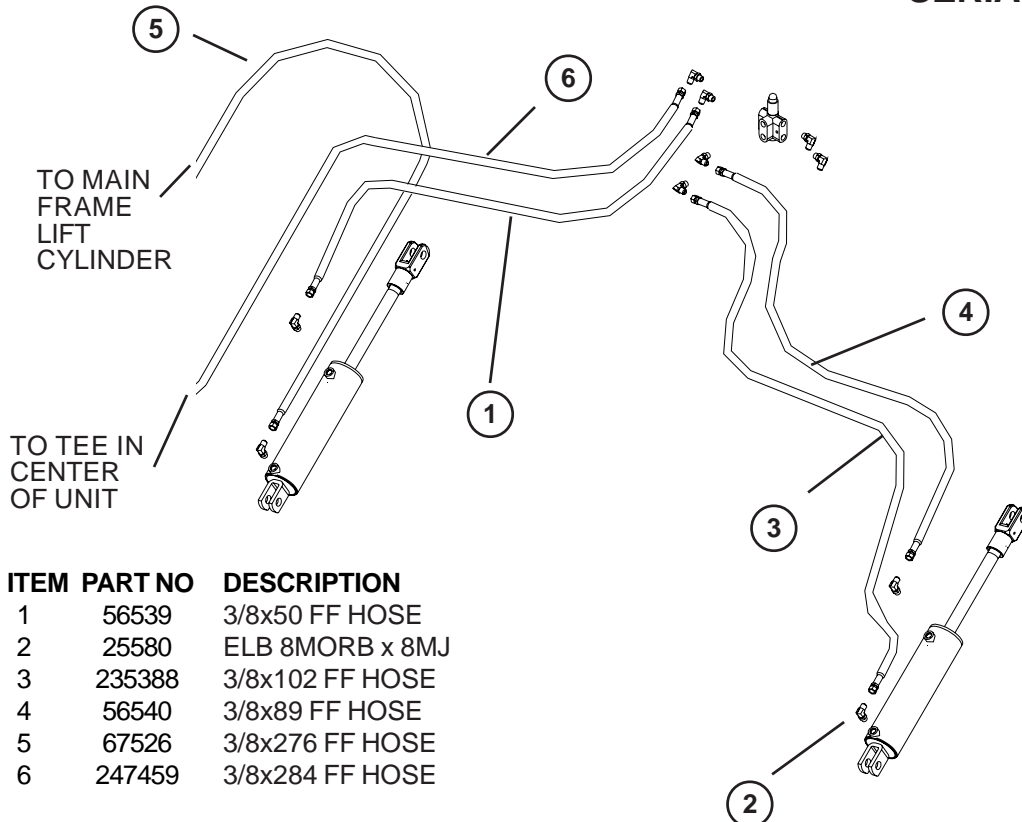
# QX<sup>2</sup> 50 RIGHT OUTER WING MAIN LIFT

SERIAL # 459350 - UP



# QX<sup>2</sup> 50 LEFT OUTER WING MAIN LIFT

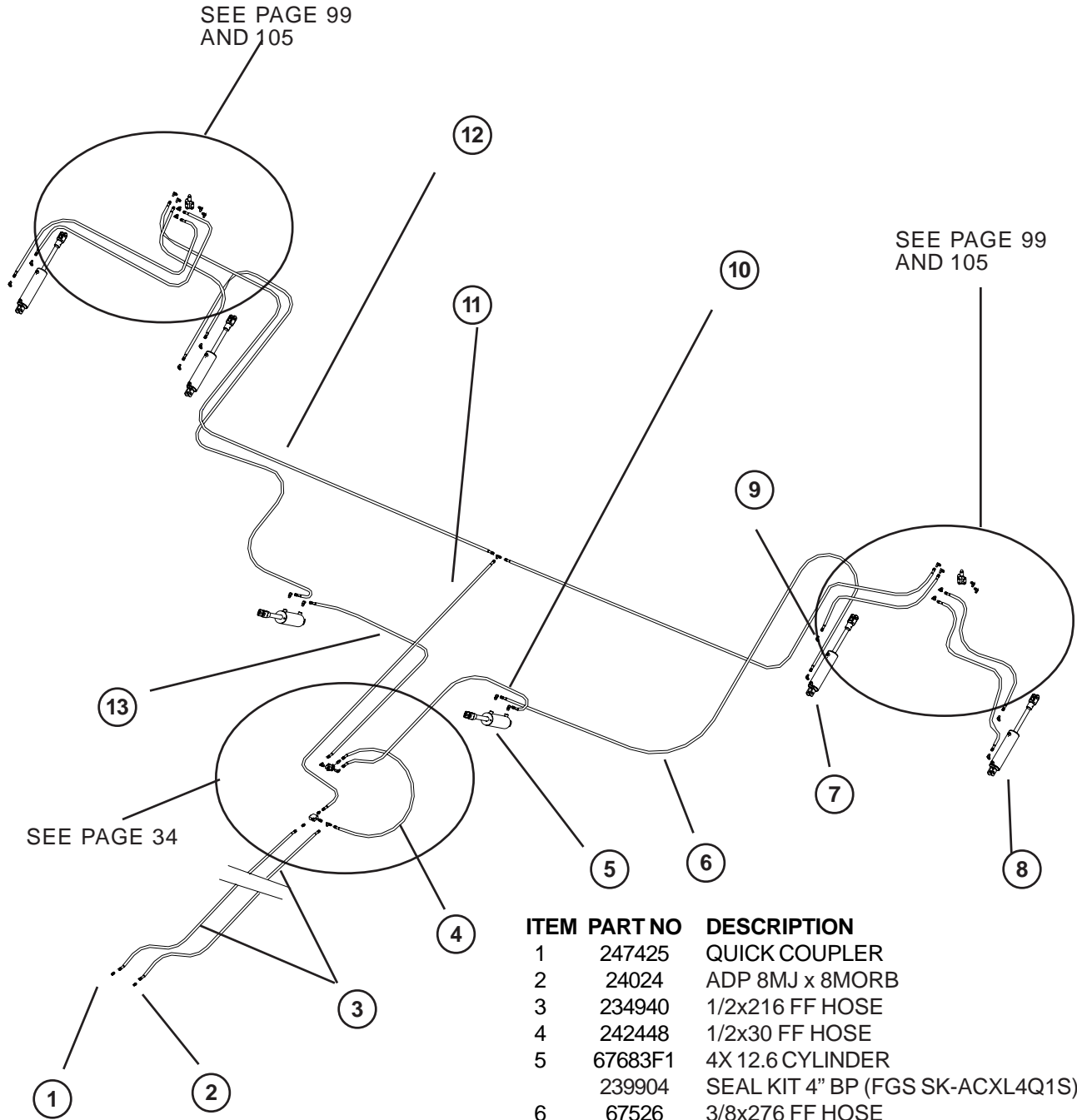
SERIAL # 459350 - UP



ITEM	PART NO	DESCRIPTION
1	56539	3/8x50 FF HOSE
2	25580	ELB 8MORB x 8MJ
3	235388	3/8x102 FF HOSE
4	56540	3/8x89 FF HOSE
5	67526	3/8x276 FF HOSE
6	247459	3/8x284 FF HOSE

# QX<sup>2</sup> 55

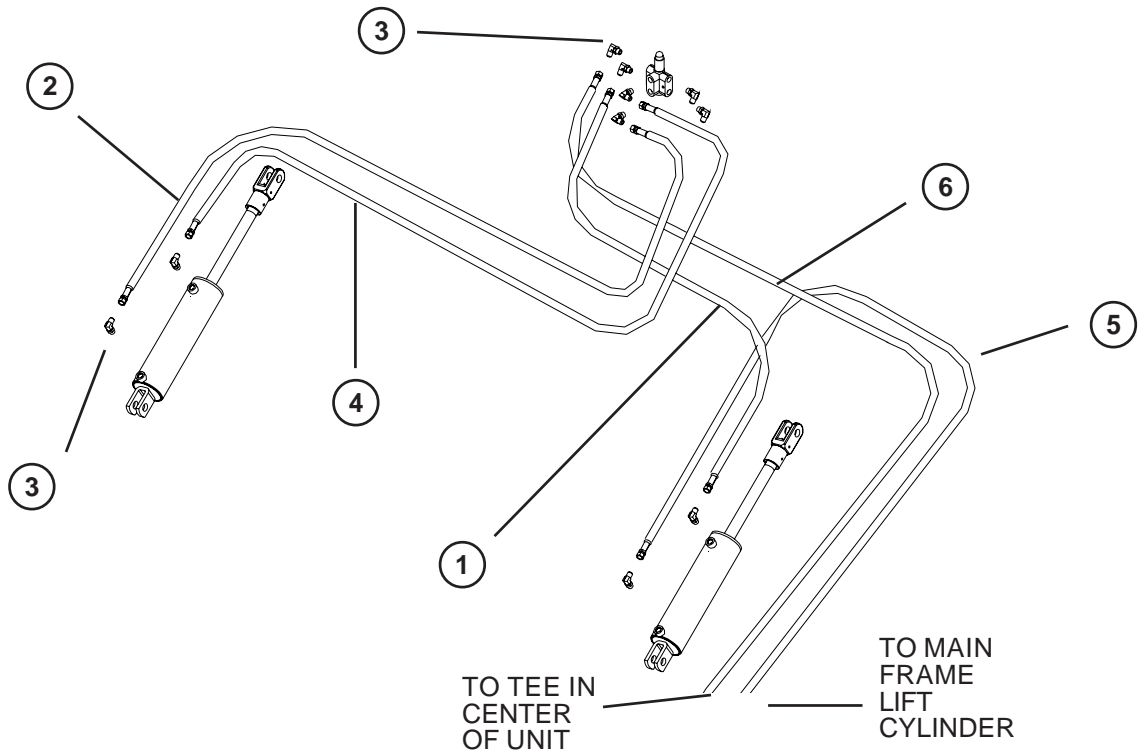
## DEPTH CONTROL HYDRAULICS SERIAL # 459350 - UP



ITEM	PART NO	DESCRIPTION
1	247425	QUICK COUPLER
2	24024	ADP 8MJ x 8MORB
3	234940	1/2x216 FF HOSE
4	242448	1/2x30 FF HOSE
5	67683F1	4X 12.6 CYLINDER
	239904	SEAL KIT 4" BP (FGS SK-ACXL4Q1S)
6	67526	3/8x276 FF HOSE
7	67688F1	4X 10.8 CYLINDER
	239904	SEAL KIT 4" BP (FGS SK-ACXL4Q1S)
8	220761F1	4X 9.3 CYLINDER
	239904	SEAL KIT 4" BP (FGS SK-ACXL4Q1S)
9	25580	ELB 8MORB x 8MJ
10	13265	3/8x56 FF HOSE
11	233250	1/2x80 FF HOSE
12	247459	3/8x284 FF HOSE
13	13484	3/8x156 FF HOSE

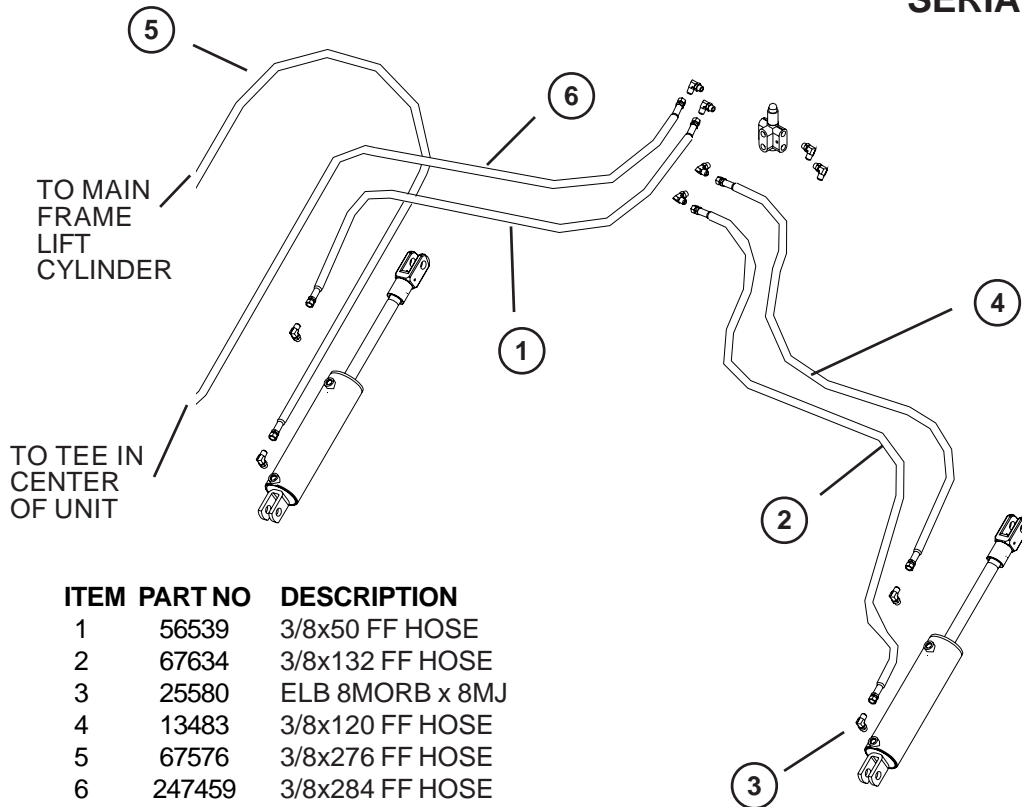
# QX<sup>2</sup> 55 RIGHT OUTER WING MAIN LIFT

SERIAL # 459350 - UP



# QX<sup>2</sup> 55 LEFT OUTER WING MAIN LIFT

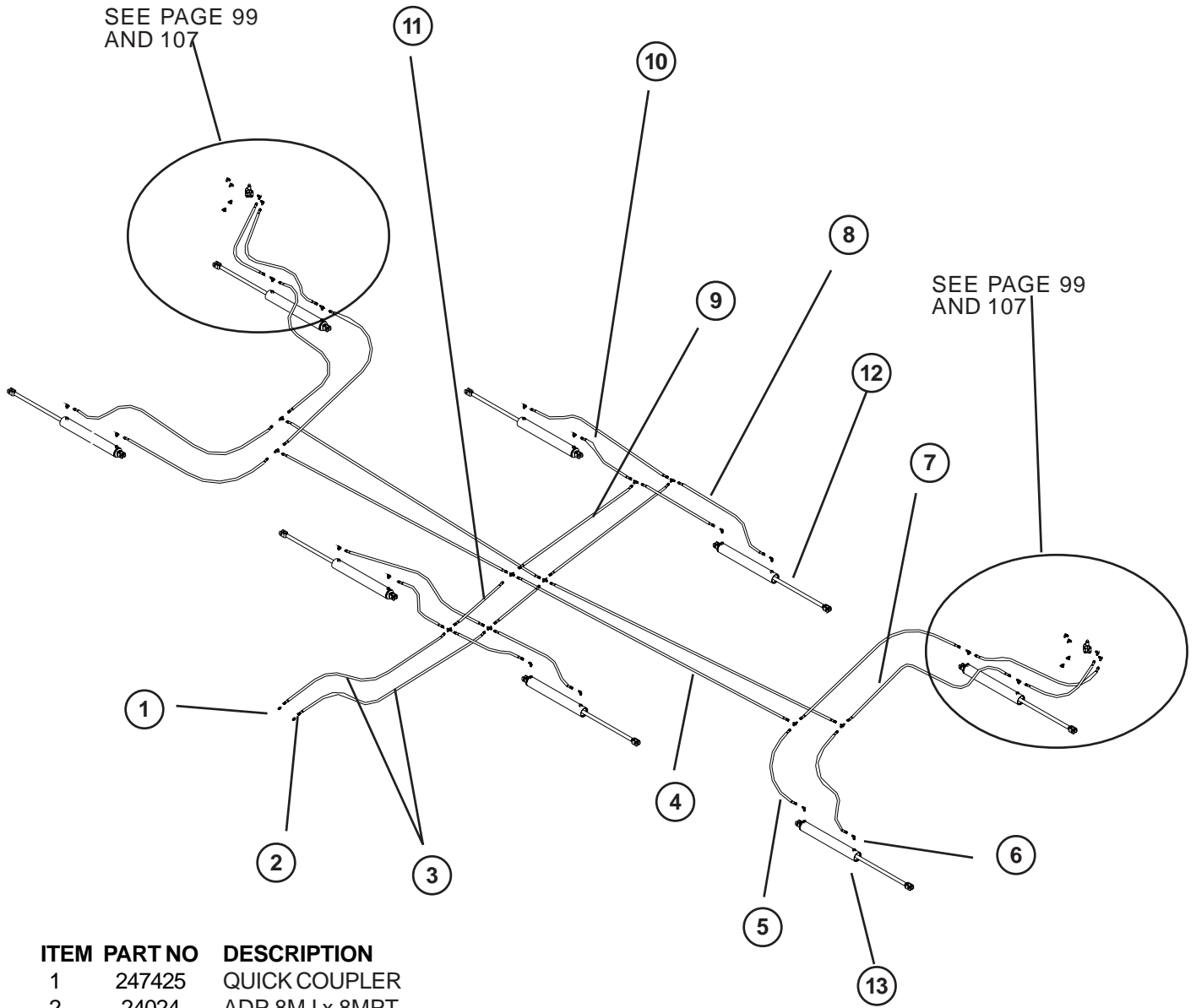
SERIAL # 459350 - UP



ITEM	PART NO	DESCRIPTION
1	56539	3/8x50 FF HOSE
2	67634	3/8x132 FF HOSE
3	25580	ELB 8MORB x 8MJ
4	13483	3/8x120 FF HOSE
5	67576	3/8x276 FF HOSE
6	247459	3/8x284 FF HOSE

# QX<sup>2</sup> 46

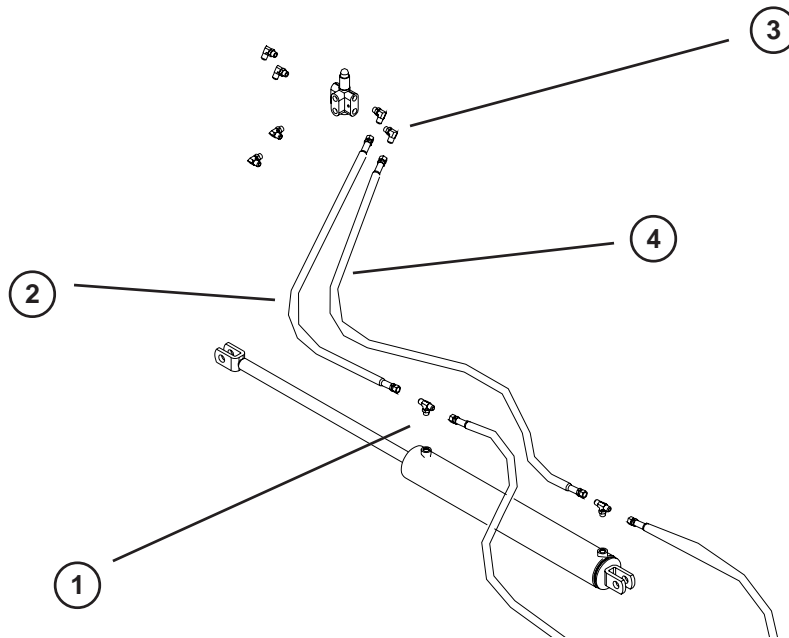
## FOLD HYDRAULICS SERIAL # 459350 - UP



ITEM	PART NO	DESCRIPTION
1	247425	QUICK COUPLER
2	24024	ADP 8MJ x 8MPT
3	241494	1/2x276 FF HOSE
4	13484	3/8 x 156 FF HOSE
5	13268	3/8x78 FF HOSE
6	25580	ELB 8MORB x 8MJ
7	56540	3/8x89 FF HOSE
8	67636	3/8x72 FF HOSE
9	25602	3/8x65 (2) FF HOSE
10	247459	3/8x.36 (4) FF HOSE
11	242448	1/2x30 (2) FF HOSE
12	20966F	HYD CYL 5X30 FGS #A519CY07
	233731	SEAL KIT 5IN (FGS-SK-ACBX5Q2Q)
13	51229F	4 X 30 CYLINDER
	233730	SEAL KIT 4IN (FGS-SK-ACBS4Q1S)

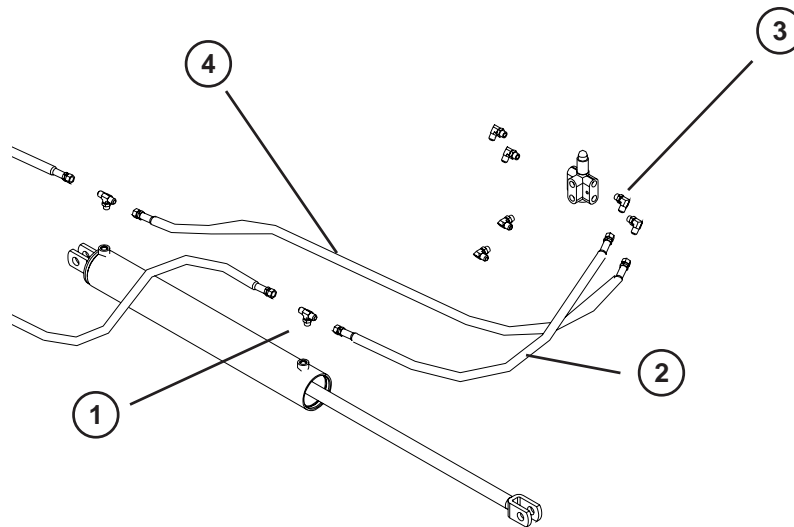
# QX<sup>2</sup> 46 RIGHT OUTER VALVE PLUMBING

SERIAL # 459350 - UP



# QX<sup>2</sup> 46 LEFT OUTER VALVE PLUMBING

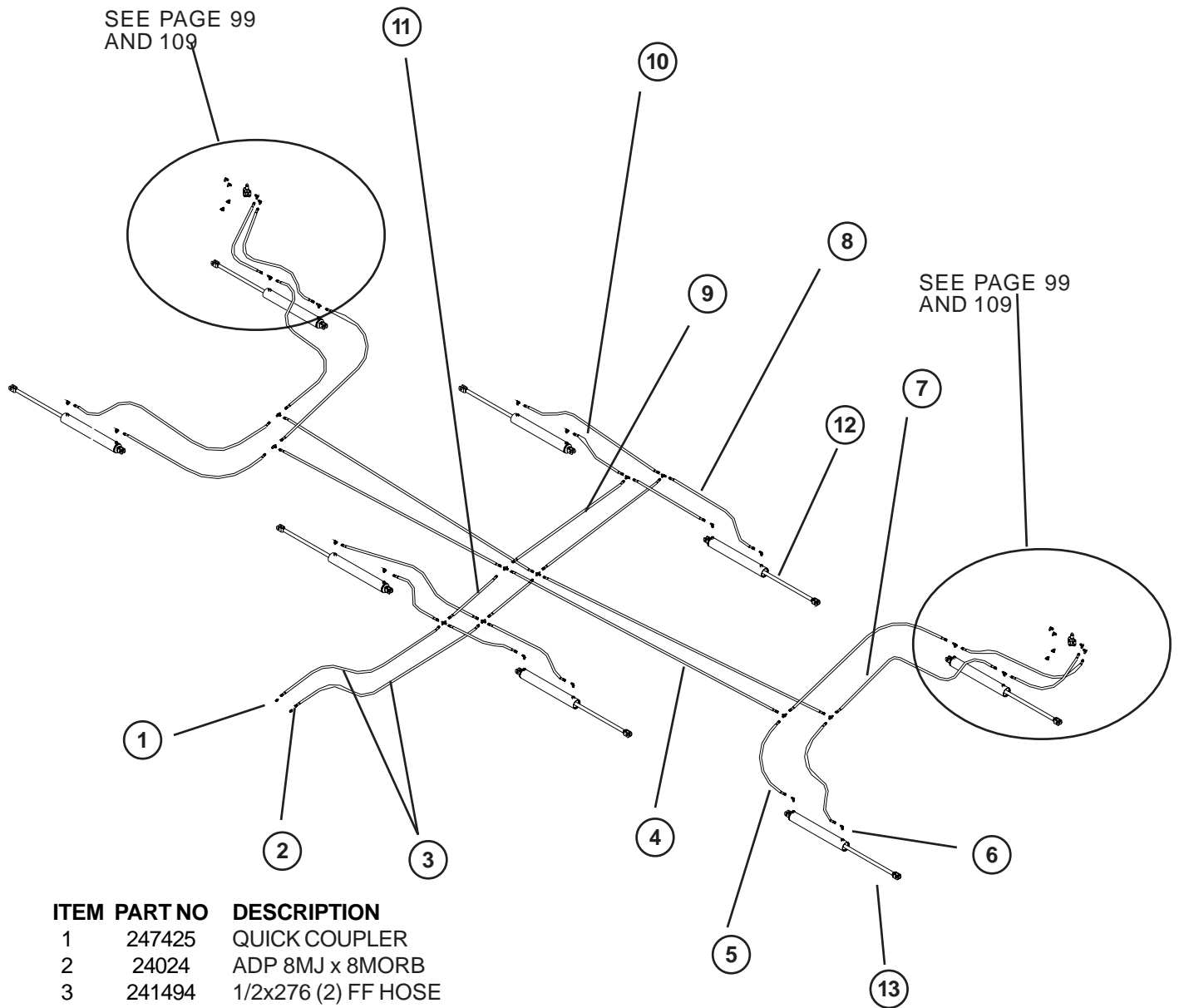
SERIAL # 459350 - UP



ITEM	PART NO	DESCRIPTION
1	56534	TEE 8MJ x 8MJ x 8MORB
2	14644	3/8x36 FF HOSE
3	25580	ELB 8MORB x 8MJ
4	56539	3/8x50 FF HOSE

# QX<sup>2</sup> 50 & 55

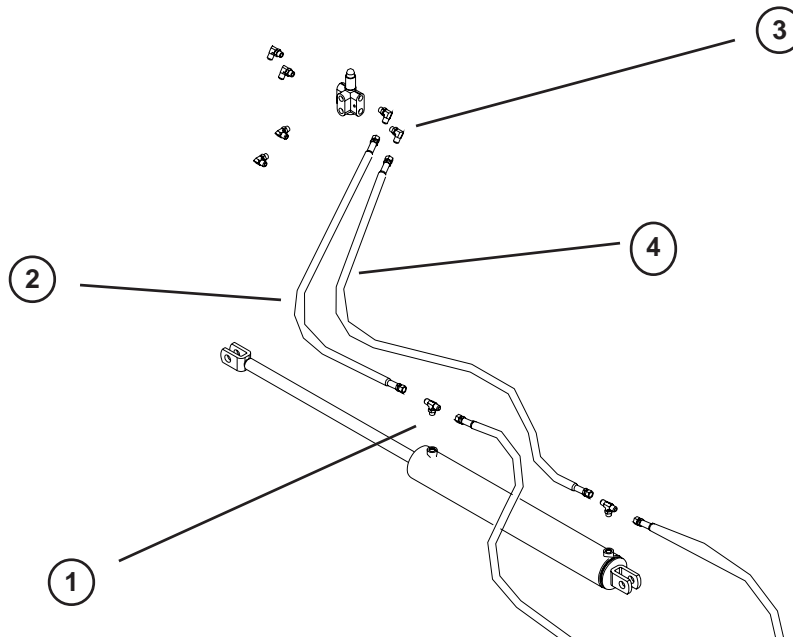
## FOLD HYDRAULICS SERIAL # 459350 - UP



ITEM	PART NO	DESCRIPTION
1	247425	QUICK COUPLER
2	24024	ADP 8MJ x 8MORB
3	241494	1/2x276 (2) FF HOSE
4	233689	3/8 x 180 (4) FF HOSE
5	13268	3/8x78 (4) FF HOSE
6	25580	ELB 8MORB x 8MJ
7	56540	3/8x89 (4) FF HOSE
8	67636	3/8x72 (4) FF HOSE
9	25602	3/8x65 (2) FF HOSE
10	247459	3/8x.36 (4) FF HOSE
11	242448	1/2x30 (2) FF HOSE
12	20966F	HYD CYL 5X30 FGS #A519CY07
	233731	SEAL KIT 5IN (FGS-SK-ACBX5Q2Q)
13	51229F	4 X 30 CYLINDER
	233730	SEAL KIT 4IN (FGS-SK-ACBS4Q1S)

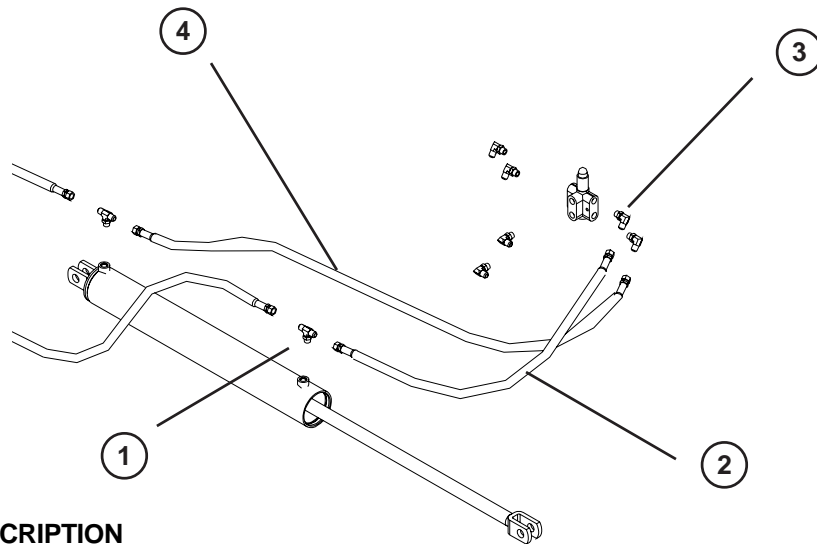
# QX<sup>2</sup> 50 & 55 RIGHT OUTER VALVE PLUMBING

SERIAL # 459350 - UP



# QX<sup>2</sup> 50 & 55 LEFT OUTER VALVE PLUMBING

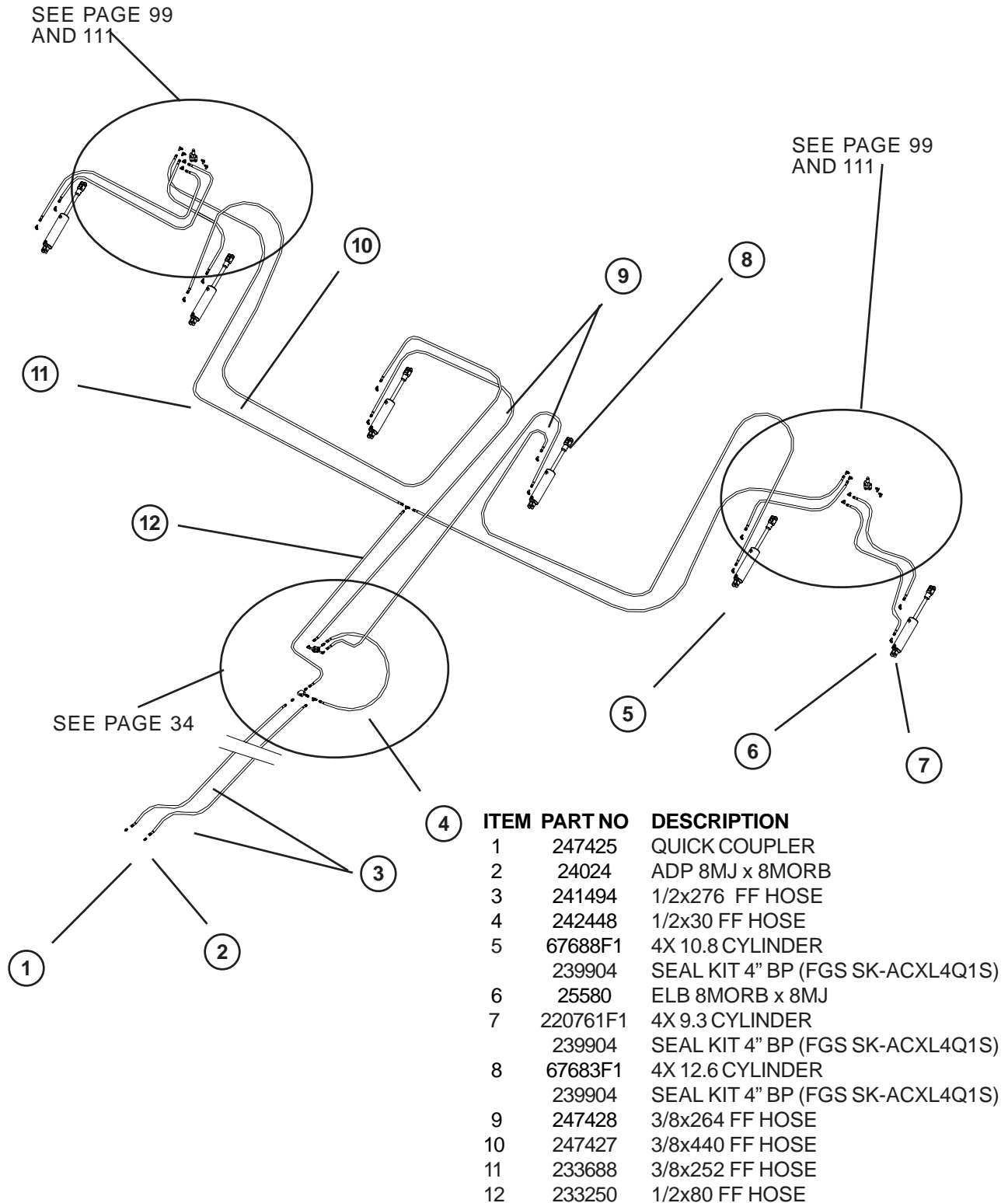
SERIAL # 459350 - UP



ITEM	PART NO	DESCRIPTION
1	56534	TEE 8MJ x 8MJ x 8MORB
2	14644	3/8x36 FF HOSE
3	25580	ELB 8MORB x 8MJ
4	56539	3/8x50 FF HOSE

# XL<sup>2</sup> 46

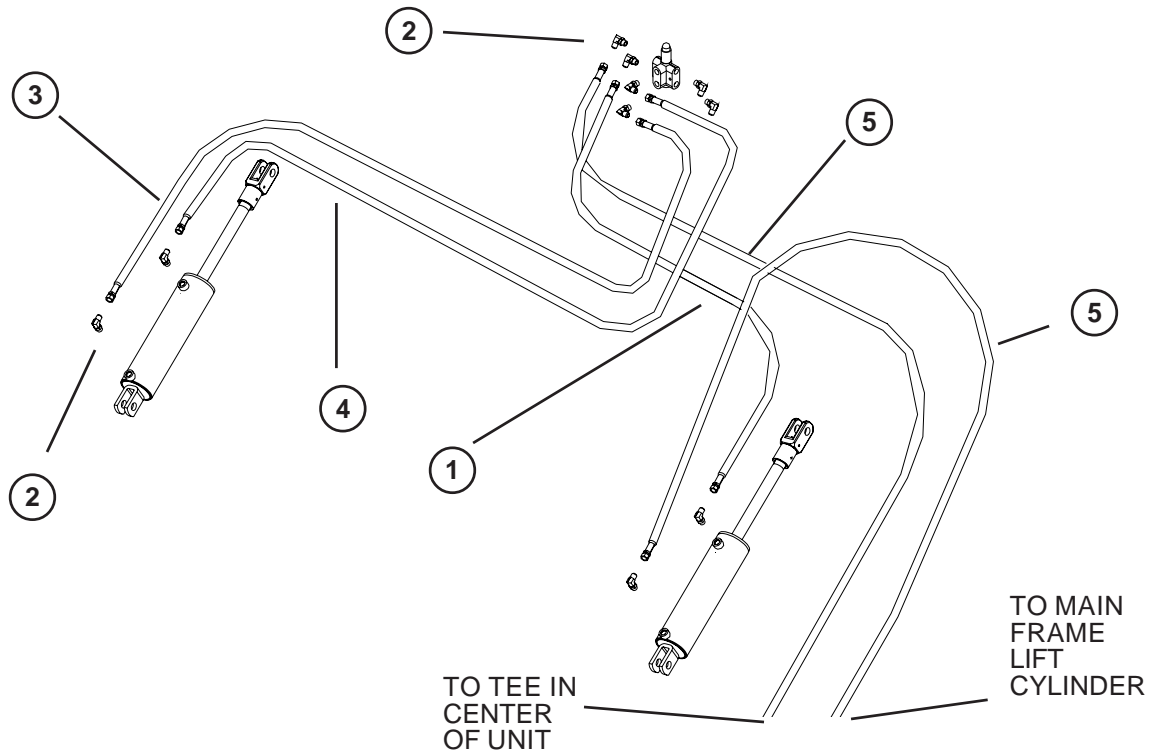
## DEPTH CONTROL HYDRAULICS SERIAL # 459350 - UP





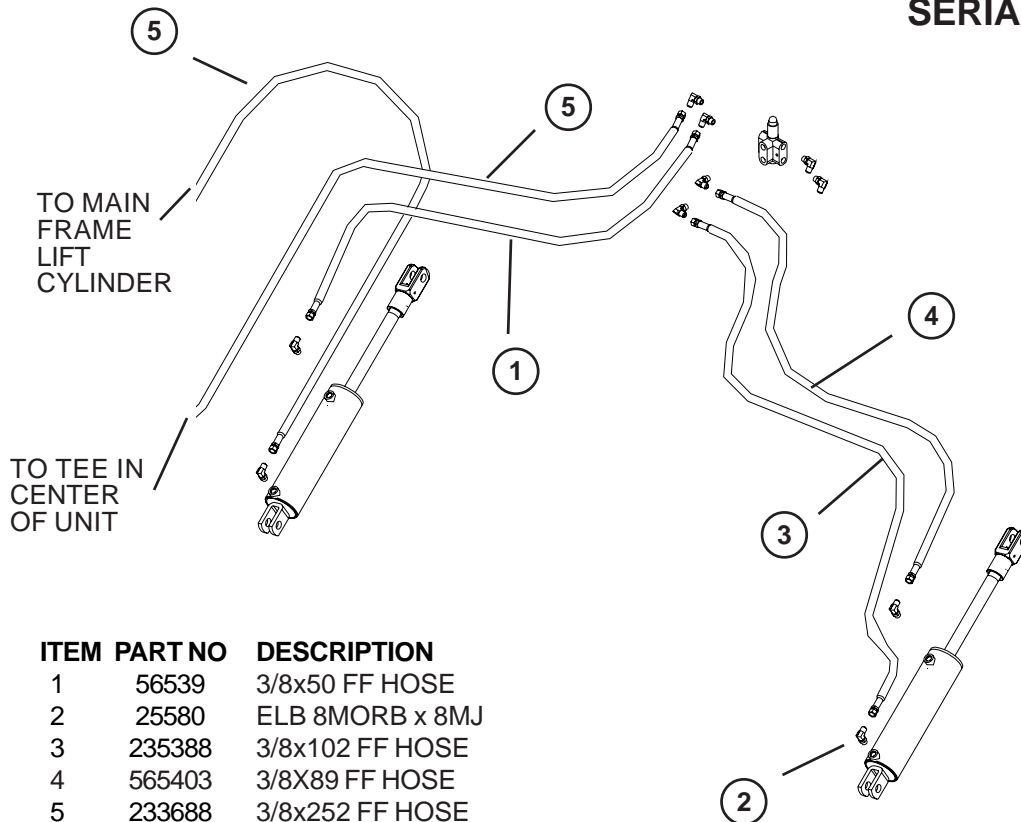
# XL<sup>2</sup> 46 RIGHT OUTER WING MAIN LIFT

SERIAL # 459350 - UP



# XL<sup>2</sup> 46 LEFT OUTER WING MAIN LIFT

SERIAL # 459350 - UP

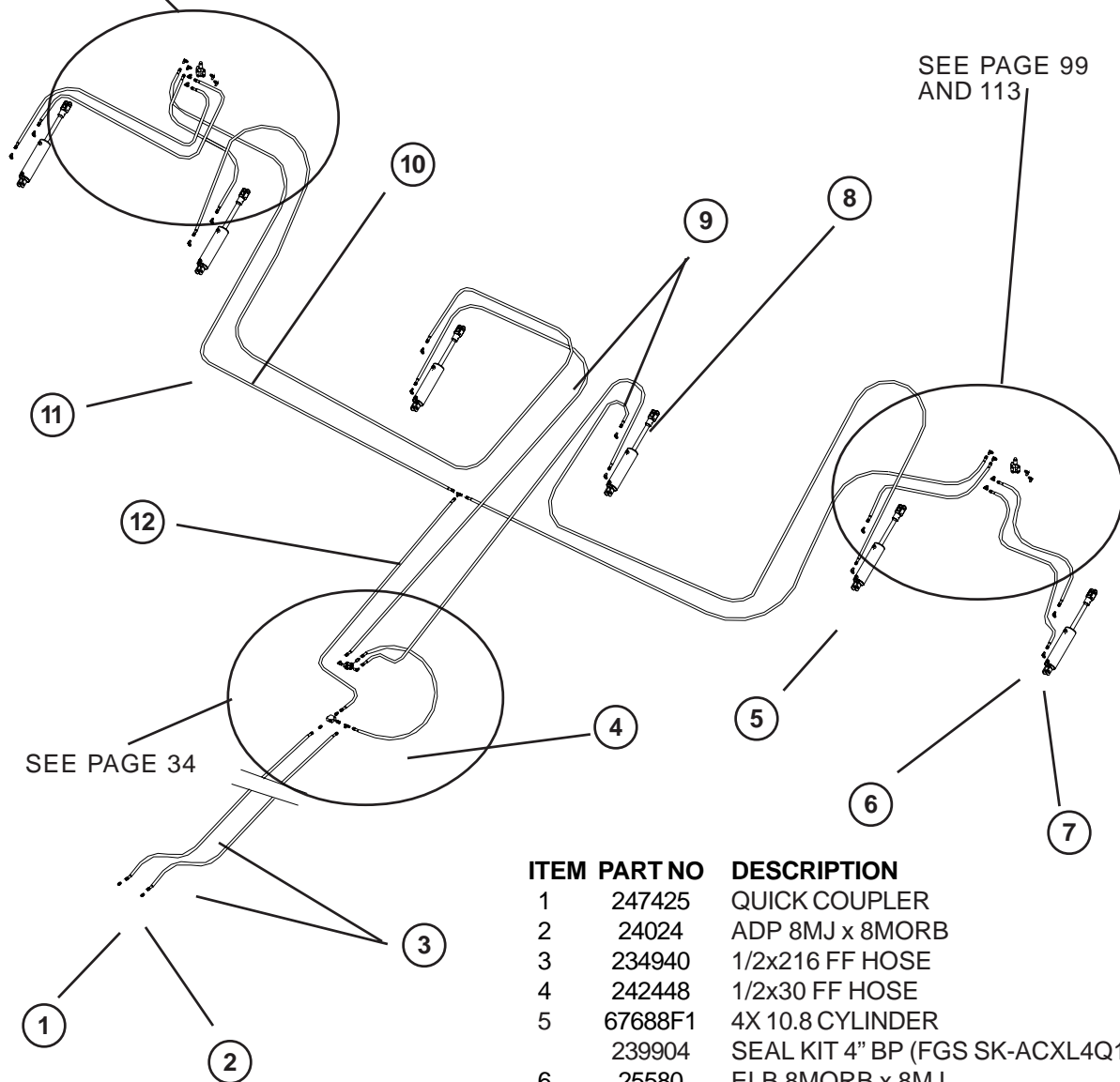


ITEM	PART NO	DESCRIPTION
1	56539	3/8x50 FF HOSE
2	25580	ELB 8MORB x 8MJ
3	235388	3/8x102 FF HOSE
4	565403	3/8X89 FF HOSE
5	233688	3/8x252 FF HOSE

# XL<sup>2</sup> 50

## DEPTH CONTROL HYDRAULICS SERIAL # 459350 - UP

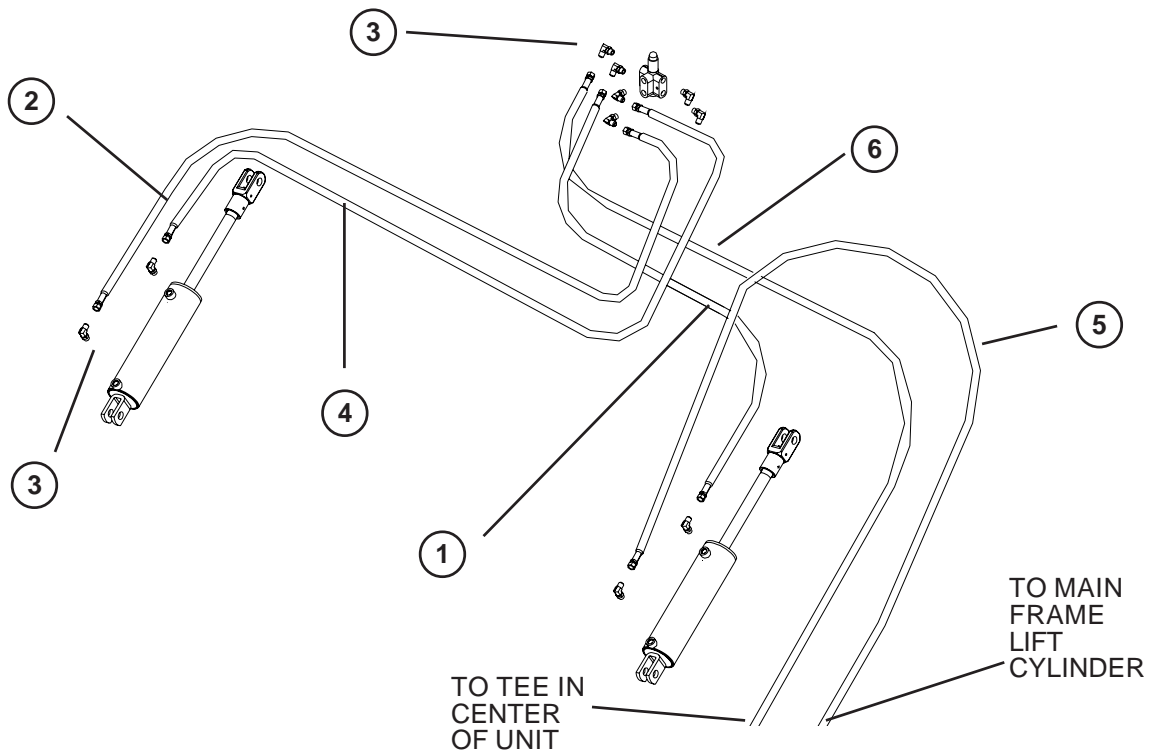
SEE PAGE 99  
AND 113



ITEM	PART NO	DESCRIPTION
1	247425	QUICK COUPLER
2	24024	ADP 8MJ x 8MORB
3	234940	1/2x216 FF HOSE
4	242448	1/2x30 FF HOSE
5	67688F1	4X 10.8 CYLINDER
	239904	SEAL KIT 4" BP (FGS SK-ACXL4Q1S)
6	25580	ELB 8MORB x 8MJ
7	220761F1	4X 9.3 CYLINDER
	239904	SEAL KIT 4" BP (FGS SK-ACXL4Q1S)
8	67683F1	4X 12.6 CYLINDER
	239904	SEAL KIT 4" BP (FGS SK-ACXL4Q1S)
9	247428	3/8x264 FF HOSE
10	237918	3/8x460 FF HOSE
11	247459	3/8x284 FF HOSE
12	233250	1/2x80 FF HOSE

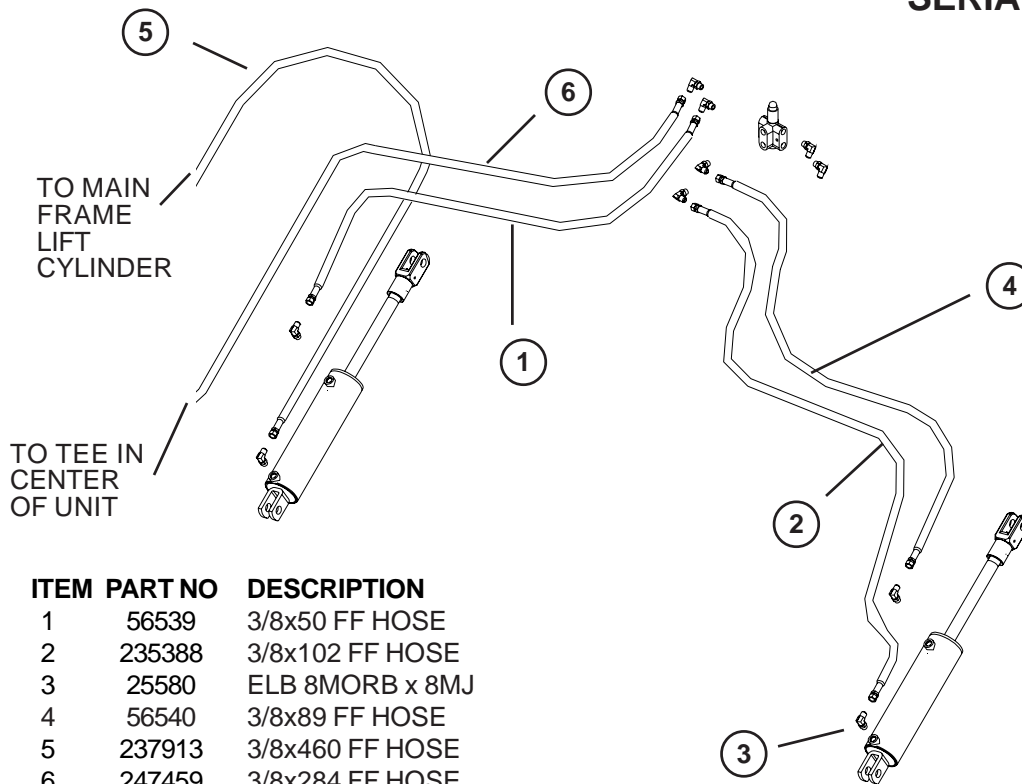
# XL<sup>2</sup> 50 RIGHT OUTER WING MAIN LIFT

SERIAL # 459350 - UP



# XL<sup>2</sup> 50 LEFT OUTER WING MAIN LIFT

SERIAL # 459350 - UP

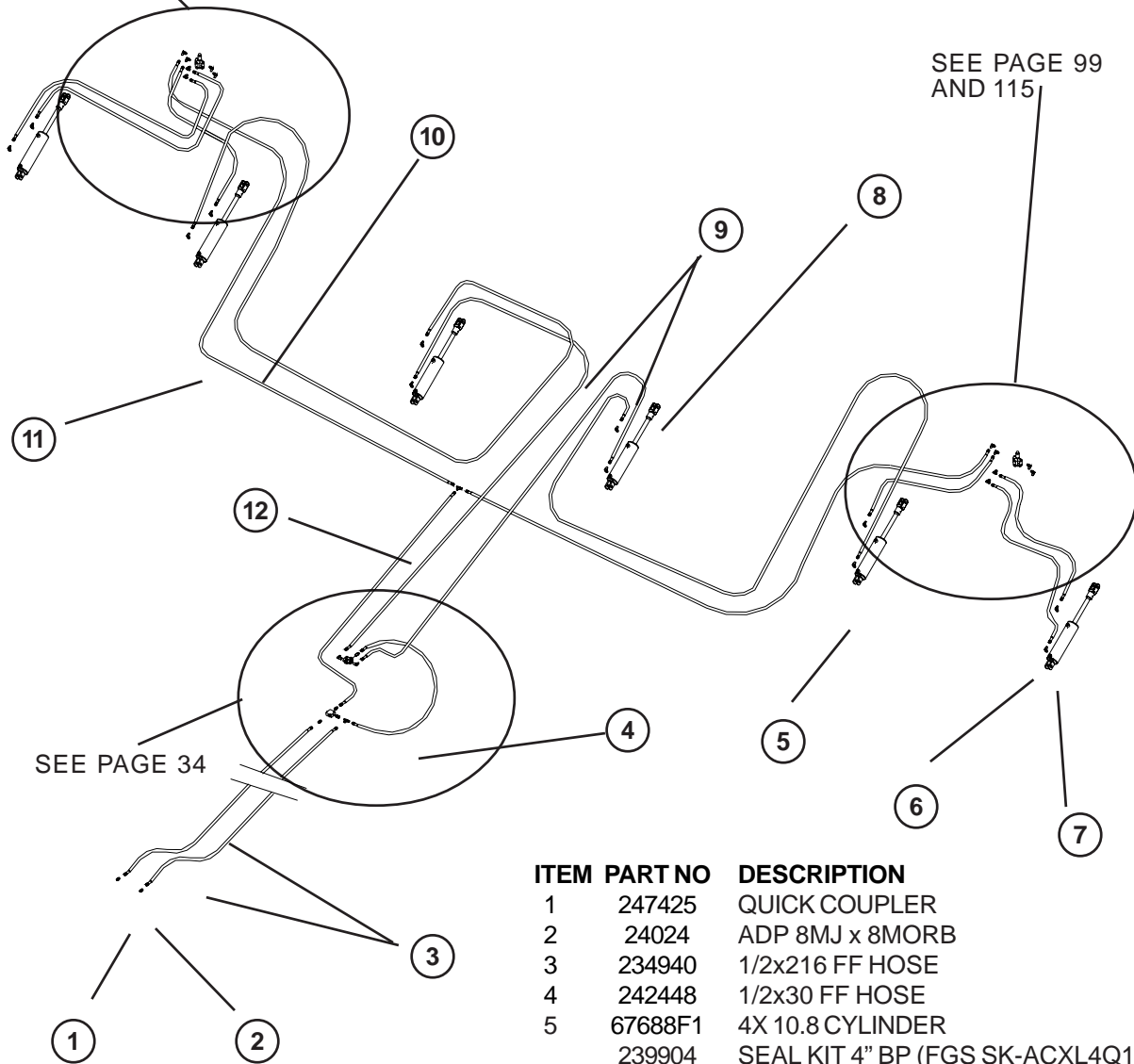


ITEM	PART NO	DESCRIPTION
1	56539	3/8x50 FF HOSE
2	235388	3/8x102 FF HOSE
3	25580	ELB 8MORB x 8MJ
4	56540	3/8x89 FF HOSE
5	237913	3/8x460 FF HOSE
6	247459	3/8x284 FF HOSE

# XL<sup>2</sup> 55

## DEPTH CONTROL HYDRAULICS SERIAL # 459350 - UP

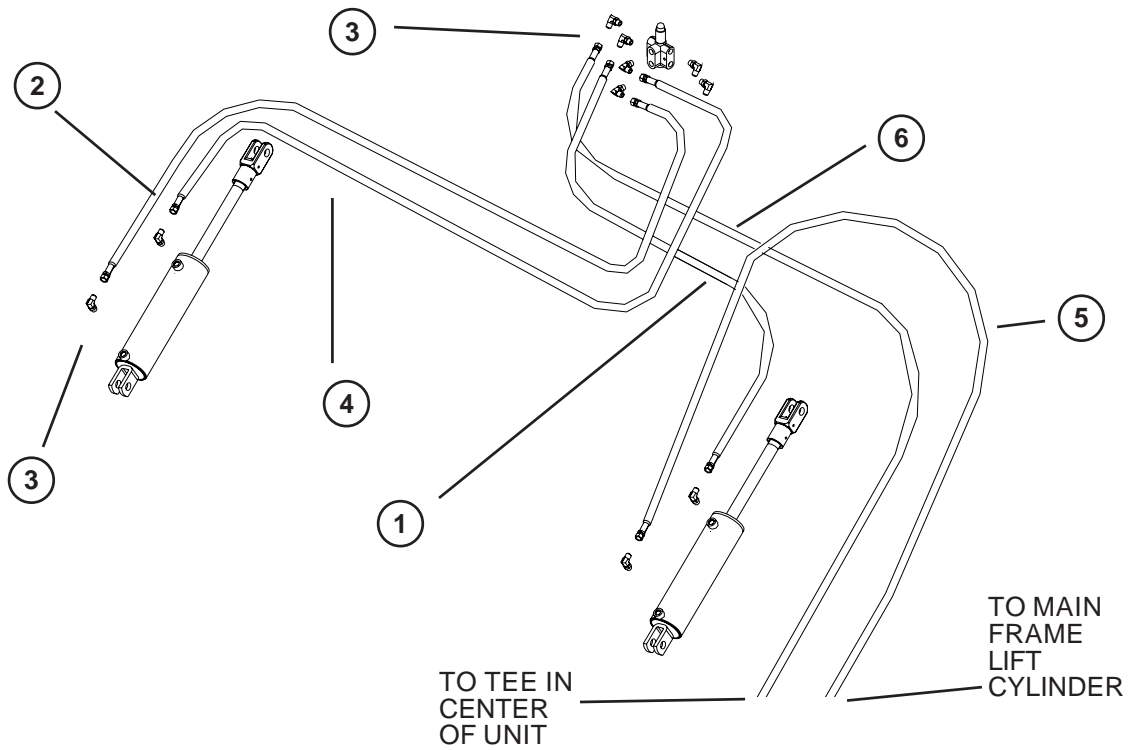
SEE PAGE  
99 AND 115



ITEM	PART NO	DESCRIPTION
1	247425	QUICK COUPLER
2	24024	ADP 8MJ x 8MORB
3	234940	1/2x216 FF HOSE
4	242448	1/2x30 FF HOSE
5	67688F1	4X 10.8 CYLINDER
	239904	SEAL KIT 4" BP (FGS SK-ACXL4Q1S)
6	25580	ELB 8MORB x 8MJ
7	220761F1	4X 9.3 CYLINDER
	239904	SEAL KIT 4" BP (FGS SK-ACXL4Q1S)
8	67683F1	4X 12.6 CYLINDER
	239904	SEAL KIT 4" BP (FGS SK-ACXL4Q1S)
9	247428	3/8x264 FF HOSE
10	237918	3/8x460 FF HOSE
11	247459	3/8x284 FF HOSE
12	233250	1/2x80 FF HOSE

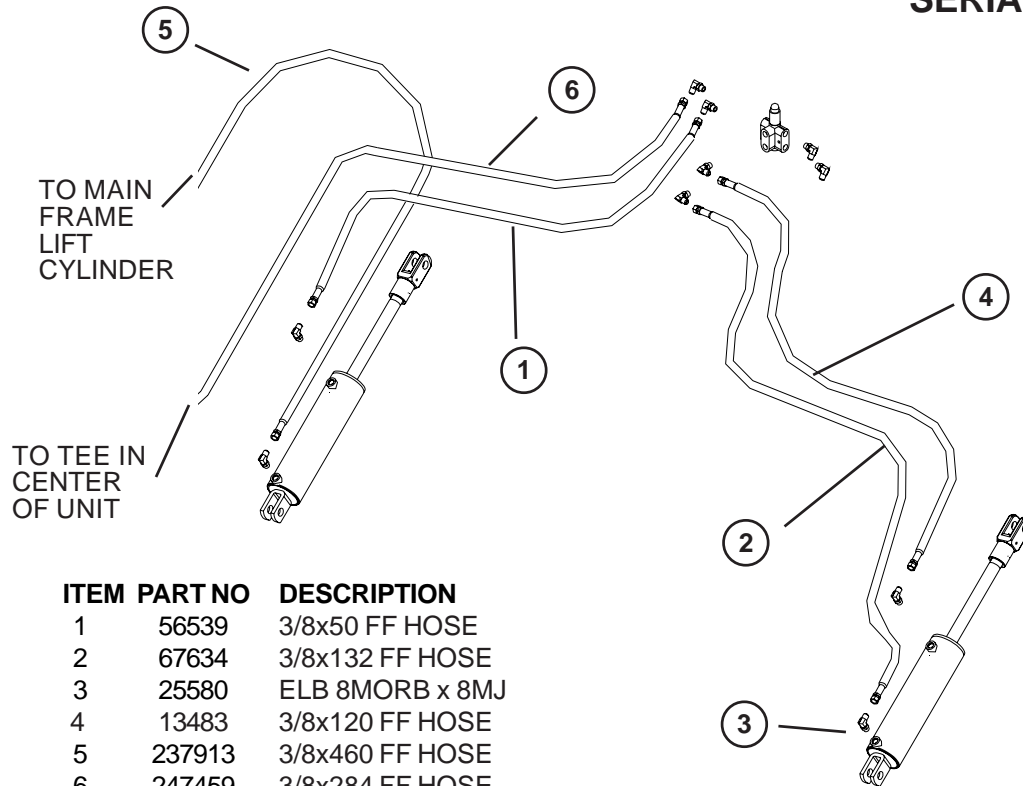
# XL<sup>2</sup> 55 RIGHT OUTER WING MAIN LIFT

SERIAL # 459350 - UP



# XL<sup>2</sup> 55 LEFT OUTER WING MAIN LIFT

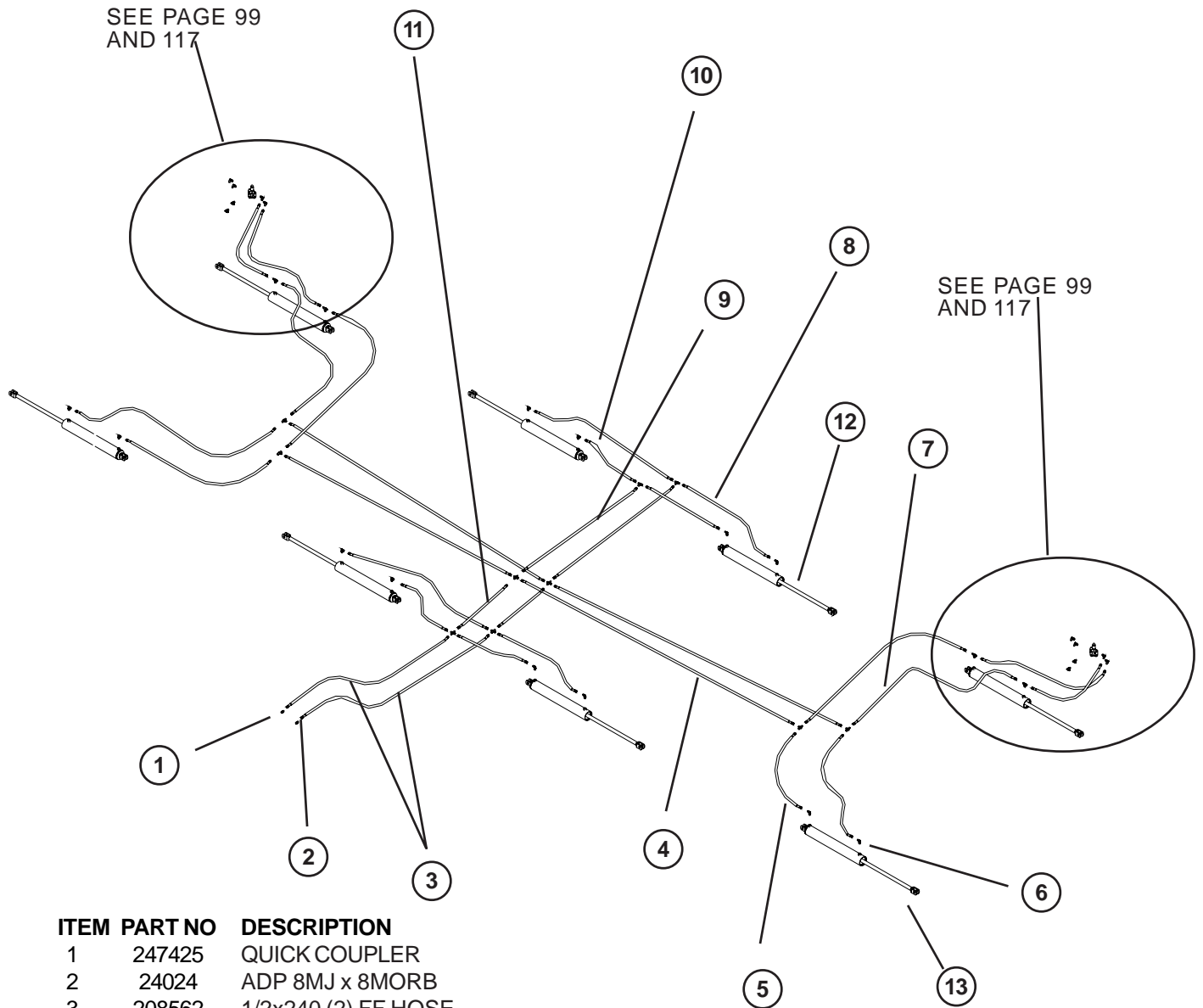
SERIAL # 459350 - UP



ITEM	PART NO	DESCRIPTION
1	56539	3/8x50 FF HOSE
2	67634	3/8x132 FF HOSE
3	25580	ELB 8MORB x 8MJ
4	13483	3/8x120 FF HOSE
5	237913	3/8x460 FF HOSE
6	247459	3/8x284 FF HOSE

# XL<sup>2</sup> 46

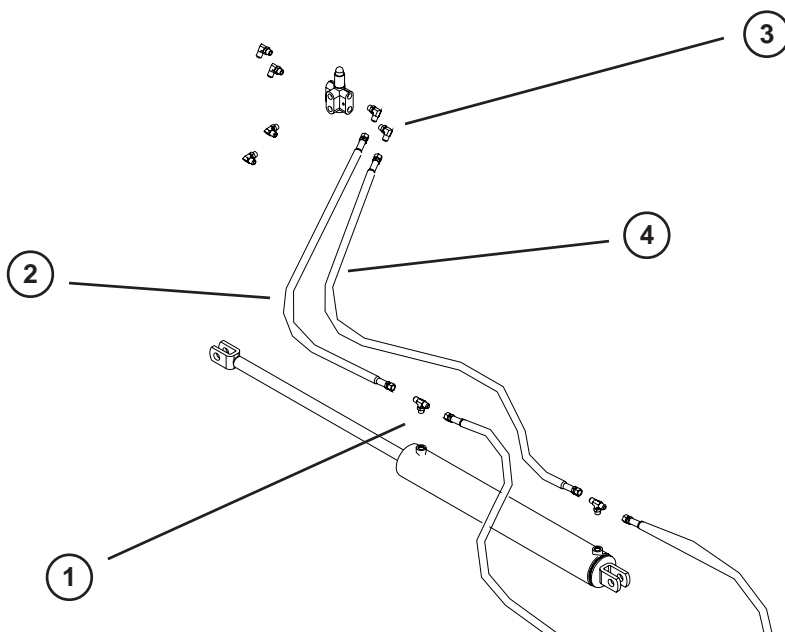
## FOLD HYDRAULICS SERIAL # 459350 - UP



ITEM	PART NO	DESCRIPTION
1	247425	QUICK COUPLER
2	24024	ADP 8MJ x 8MORB
3	208562	1/2x240 (2) FF HOSE
4	13484	3/8x156 (4) FF HOSE
5	13268	3/8x78 (4) FF HOSE
6	25580	ELB 8MORB x 8MJ
7	56540	3/8x89 (4) FF HOSE
8	67636	3/8x72 (4) FF HOSE
9	25602	3/8x65 (2) FF HOSE
10	247459	3/8x.36 (4) FF HOSE
11	247430	1/2x65 (2) FF HOSE
12	20966F	HYD CYL 5X30 FGS #A519CY07
	233731	SEAL KIT 5IN (FGS-SK-ACBX5Q2Q)
13	51229F	4 X 30 CYLINDER
	233730	SEAL KIT 4IN (FGS-SK-ACBS4Q1S)

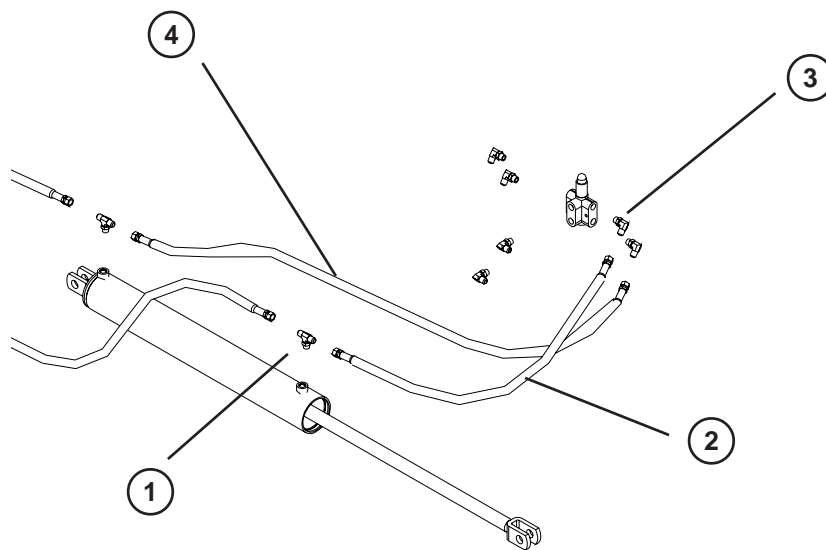
# **XL<sup>2</sup> 46 RIGHT OUTER VALVE PLUMBING**

**SERIAL # 459350 - UP**



# **XL<sup>2</sup> 46 LEFT OUTER VALVE PLUMBING**

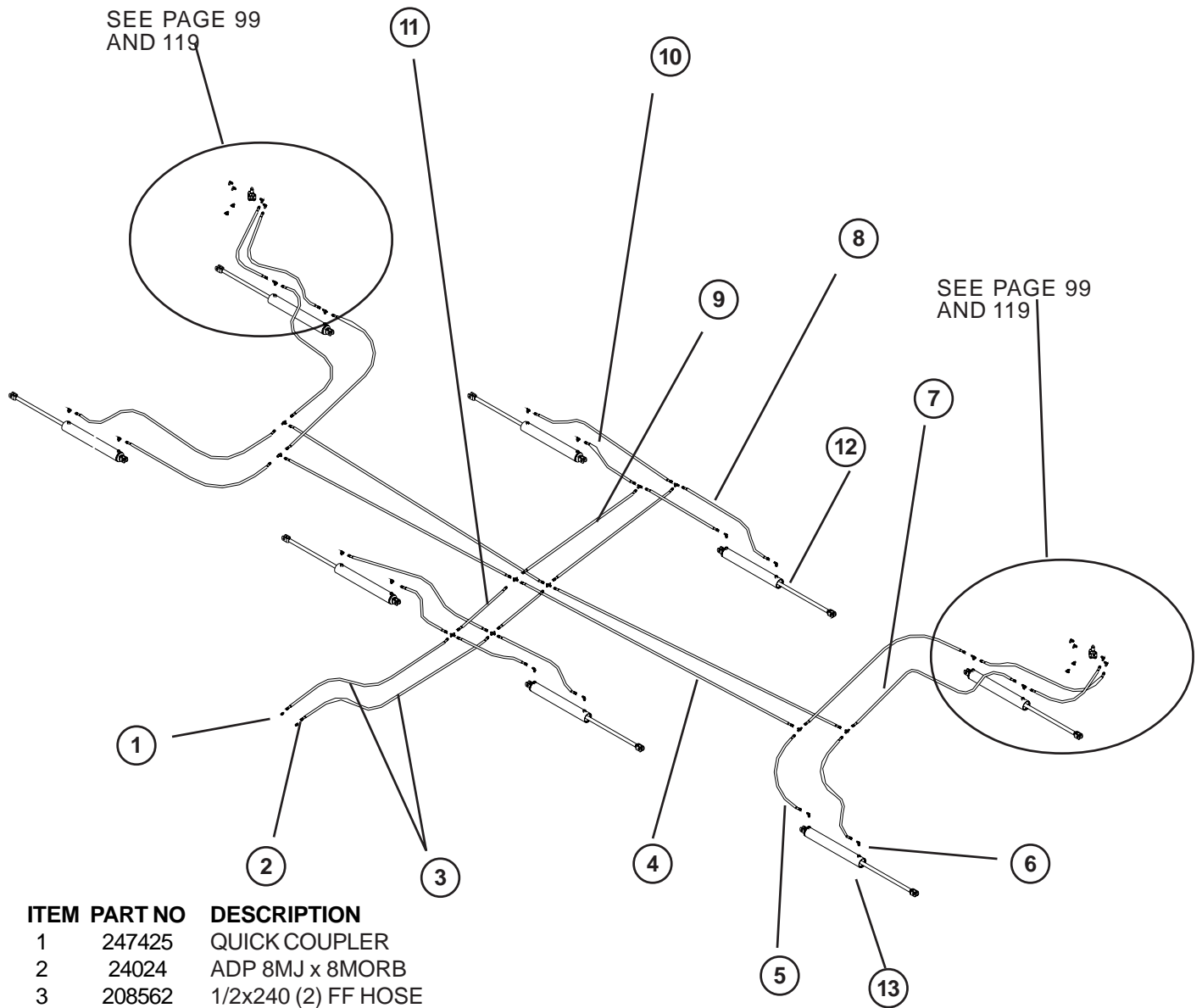
**SERIAL # 459350 - UP**



ITEM	PART NO	DESCRIPTION
1	56534	TEE 8MJ x 8MJ x 8MORB
2	14644	3/8x36 FF HOSE
3	25580	ELB 8MORB x 8MJ
4	56539	3/8x50 FF HOSE

# XL<sup>2</sup> 50 & 55

## FOLD HYDRAULICS SERIAL # 459350 - UP

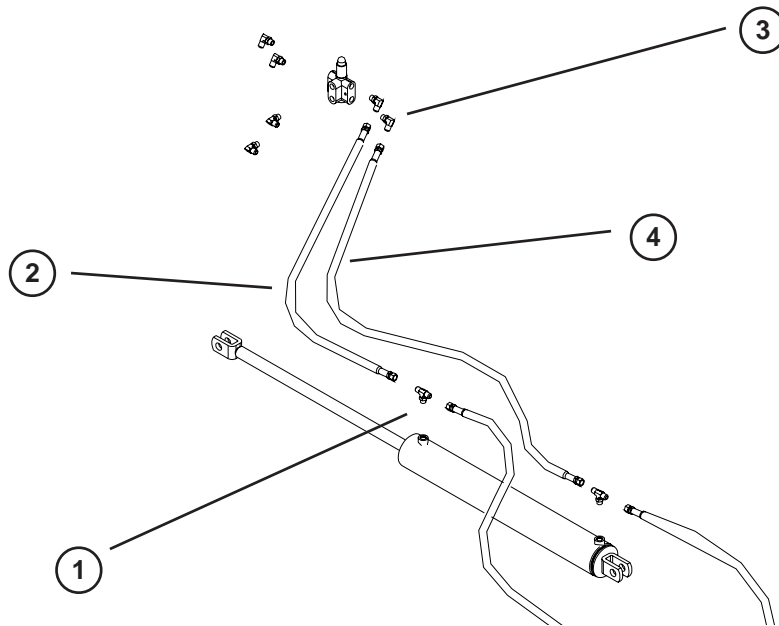


ITEM	PART NO	DESCRIPTION
1	247425	QUICK COUPLER
2	24024	ADP 8MJ x 8MORB
3	208562	1/2x240 (2) FF HOSE
4	233689	3/8x180 (4) FF HOSE
5	13268	3/8x78 (4) FF HOSE
6	25580	ELB 8MORB x 8MJ
7	56540	3/8x89 (4) FF HOSE
8	67636	3/8x72 (4) FF HOSE
9	25602	3/8x65 (2) FF HOSE
10	247459	3/8x.36 (4) FF HOSE
11	247430	1/2x65 (2) FF HOSE
12	20966F	HYD CYL 5X30 FGS #A519CY07
	233731	SEAL KIT 5IN (FGS-SK-ACBX5Q2Q)
13	51229F	4 X 30 CYLINDER
	233730	SEAL KIT 4IN (FGS-SK-ACBS4Q1S)



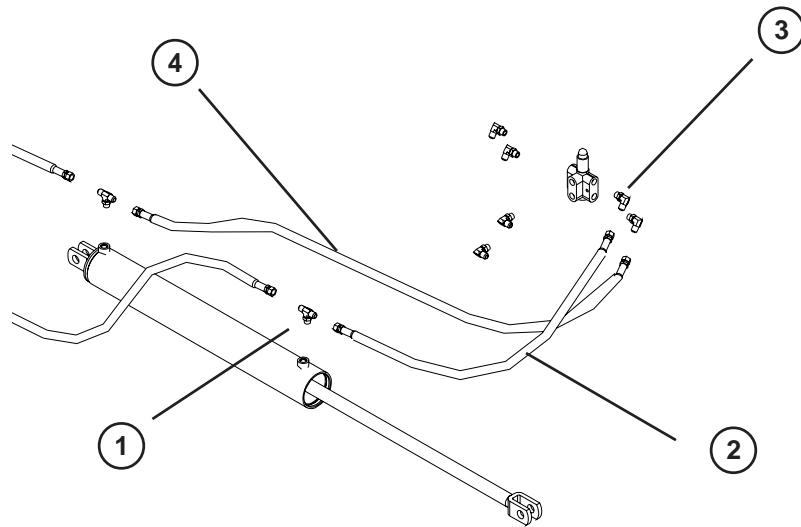
# **XL<sup>2</sup> 50 & 55 RIGHT OUTER VALVE PLUMBING**

**SERIAL # 459350 - UP**



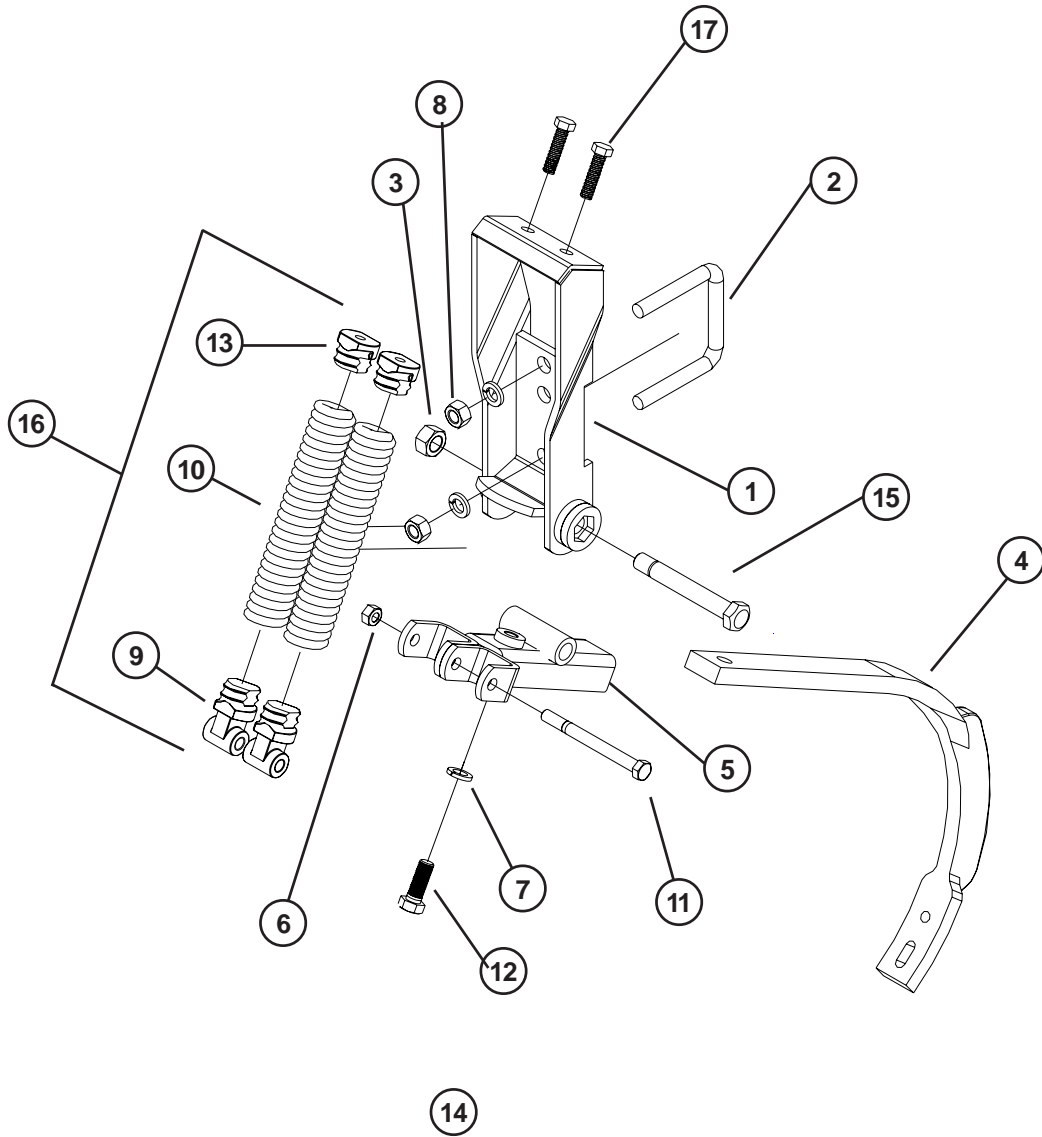
# **XL<sup>2</sup> 50 & 55 LEFT OUTER VALVE PLUMBING**

**SERIAL # 459350 - UP**



ITEM	PART NO	DESCRIPTION
1	56534	TEE 8MJ x 8MJ x 8MORB
2	14644	3/8x36 FF HOSE
3	25580	ELB 8MORB x 8MJ
4	14644	3/8x36 FF HOSE

# TWIN SPRING SHANK ASSEMBLY

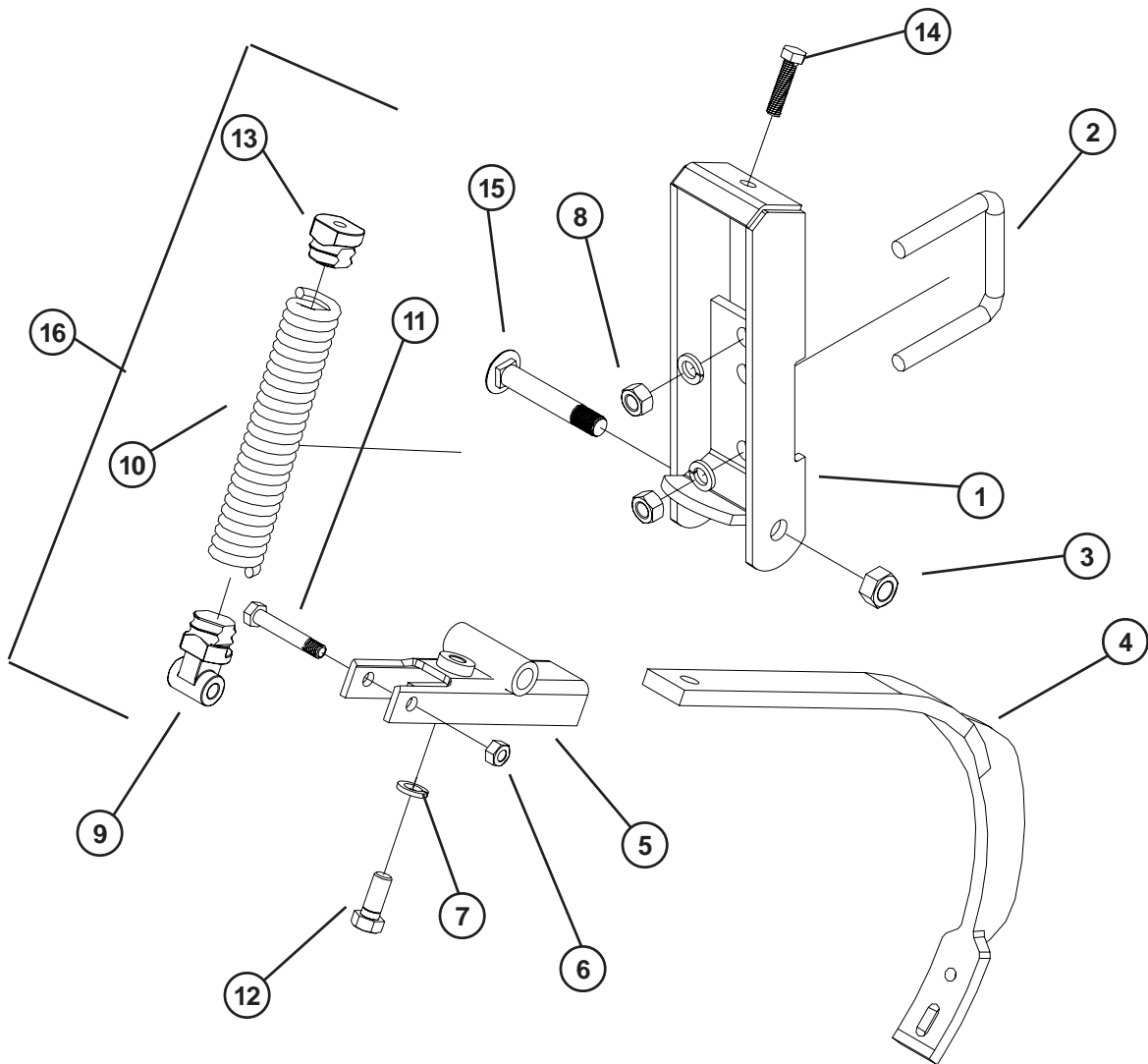


ITEM	PART NO.	DESCRIPTION
	240590	TWIN SPRING SHANK ASSEMBLY (INCLUDES ITEMS 1, 3,5-6, 9-11,13-15)
1	240582	SHANK FRAME BRACKET (4")
2	88501	5/8"NCX4"X4-1/4"U-BOLT
3	22463	3/4"NF LOCK NUT
4	55655	HD EDGE FORM SHANK
5	240581	TWIN SPRING HOLDER
6	88363	1/2"NC LOCK NUT
7	88129	5/8" LOCK WASHER

ITEM	PART NO.	DESCRIPTION
8	88126	5/8"NC NUT
9	11397	SPRING HANDLE (PLAIN)
10	11510	SPRING
11	88574	1/2"NCX5-1/2" GR5 BOLT
12	88838	5/8"NCX1-3/4" GR5 BOLT
13	11398	SPRING PLUG (PLAIN)
14	23153	1/2"NCX2" GR5 BOLT
15	240592	SHANK HEX BOLT
16	11540	SPRING PLUG ASSEMBLY
17	23153	1/2 X 2 FULL THREAD CAP SCREW

DOUBLE SPRING SHANK.WMF

# SINGLE SPRING SHANK ASSEMBLY



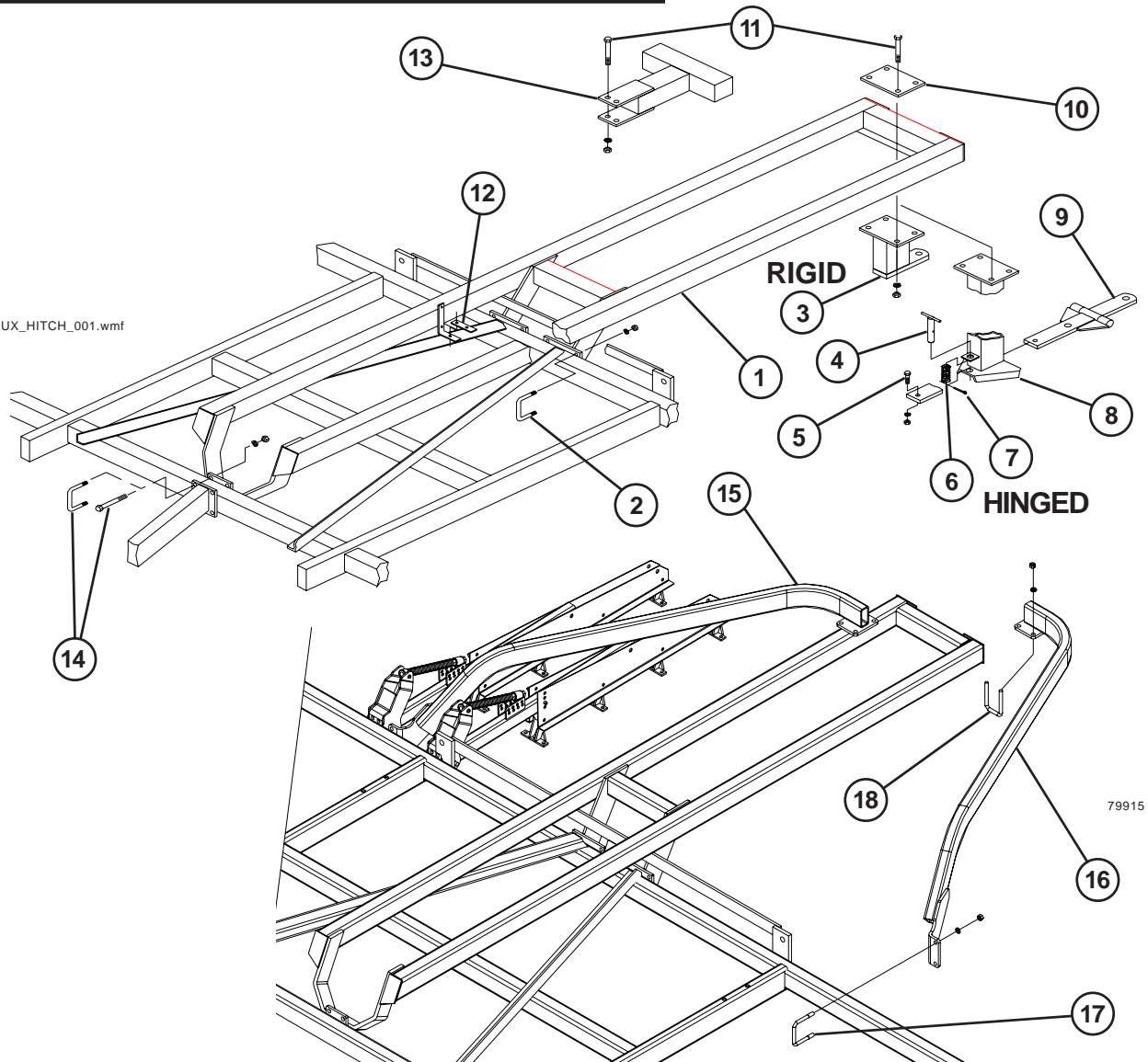
ITEM	PART NO.	DESCRIPTION
	240434	FC SHANK ASSEMBLY (4") (INCLUDES ITEMS 1, 3,5-6, 9-11, 13-15)
1	20569	SHANK FRAME BRACKET (4")
2	88501	5/8"NCX4"X4-1/4"U-BOLT
3	22463	3/4"NF LOCK NUT
4	53408	EDGE FORMED SHANK
5	242482	SHANK HOLDER
6	88363	1/2"NC LOCK NUT
7	88129	5/8" LOCK WASHER

ITEM	PART NO.	DESCRIPTION
8	88126	5/8"NC NUT
9	11397	SPRING HANDLE (PLAIN)
10	11510	SPRING
11	20637	1/2"NCX3" GR5 BOLT
12	88577	5/8"NCX1-1/2" GR5 BOLT
13	11398	SPRING PLUG (PLAIN)
14	23153	1/2"NCX2" GR5 BOLT
15	68575	CARRIAGE BOLT
16	11540	SPRING PLUG ASSEMBLY (INCLUDES 9-10 & 13))

SINGLE SPRING SHANK.WMF

# HD REAR HITCH & BRACE ARMS

HD\_AUX\_HITCH\_001.wmf



ITEM	PART NO.	DESCRIPTION
	69455	REAR HITCH W/HINGED TOUNGE (INCLUDES ITEMS 1,2,4-11)
	69456	REAR HITCH W/RIGID TOUNGE (INCLUDES ITEMS 1,2,3,10 & 11)
	233522	REAR HITCH BRACE ARMS (INCLUDES ITEMS 15,16,17 & 18)
1	69442	HD IMPLEMENT HITCH
2	88453	5/8"NCX4"X4-1/2"U-BOLT
3	69453	RIGID TOUNGE MOUNT
4	58284	PIN ASSEMBLY 1"X2-27/32"
5	88294	5/8"NCx2" GR5 BOLT
6	15940	SPRING
7	88101	1/4"X2-1/2" COTTER PIN
8	69454	HINGED HITCH MOUNT
9	18443	HINGED TOUNGE ASSEMBLY
10	69447	PLATE
11	88293	3/4"NCX6" GR5 BOLT
12	69459	CLAMP STRAP
13	222493	HD HITCH EXTENSION
14	88305	3/4"NCX5" GR5 BOLT(EXCEL)
	88453	5/8"NCX4"X4-1/2"U-BOLT(QUAD X)

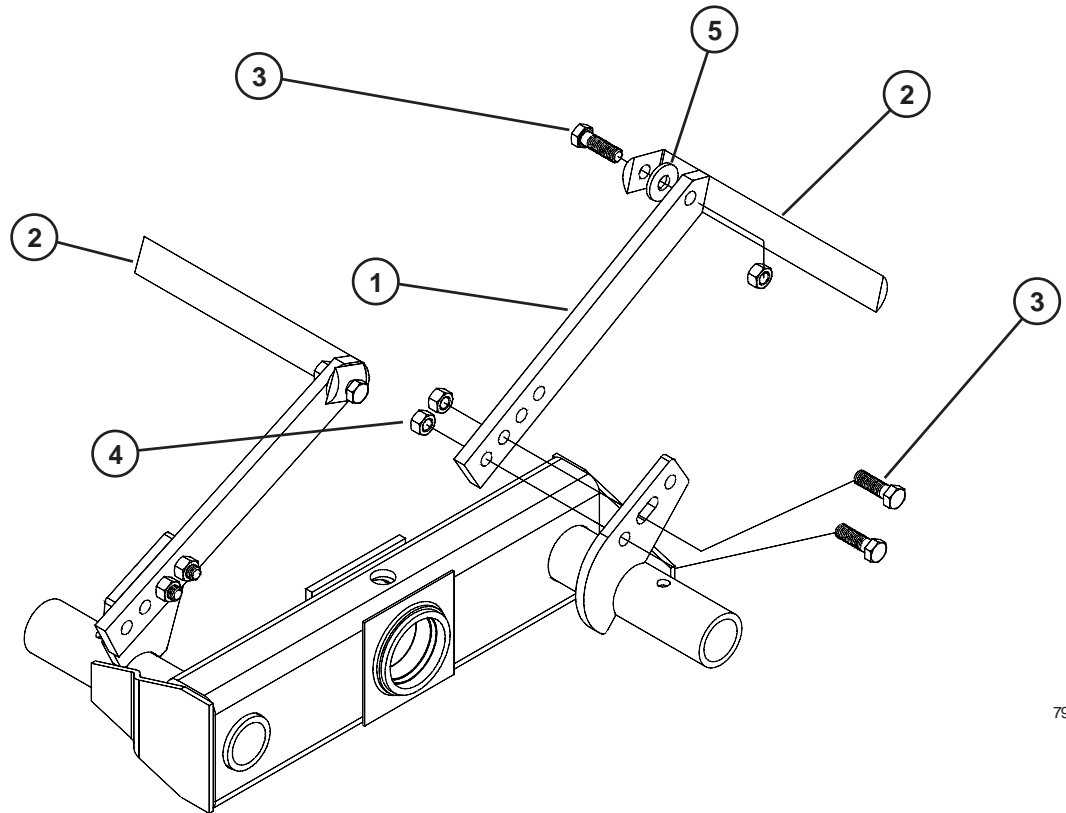
ITEM	PART NO.	DESCRIPTION
15	233520	RIGHT BRACE ARM
16	233521	LEFT BRACE ARM
17	88453	5/8"NCX4"X4-1/2"U-BOLT
18	88503	5/8"NCx3"x5-1/4" U-BOLT

### Standard Nuts and Lock Washers

88172	1/4NC Nut	88262	1/4 Lock Washer
88103	3/8NC Nut	88362	3/8 Lock Washer
88104	1/2NC Nut	88303	1/2 Lock Washer
88126	5/8NC Nut	88129	5/8 Lock Washer
88110	3/4NC Nut	88130	3/4 Lock Washer
88371	7/8NC Nut	88341	7/8 Lock Washer

**Note: Standard nuts and lock washers are not called out. Anything other than standard will be called out.**

# MUD SCRAPERS

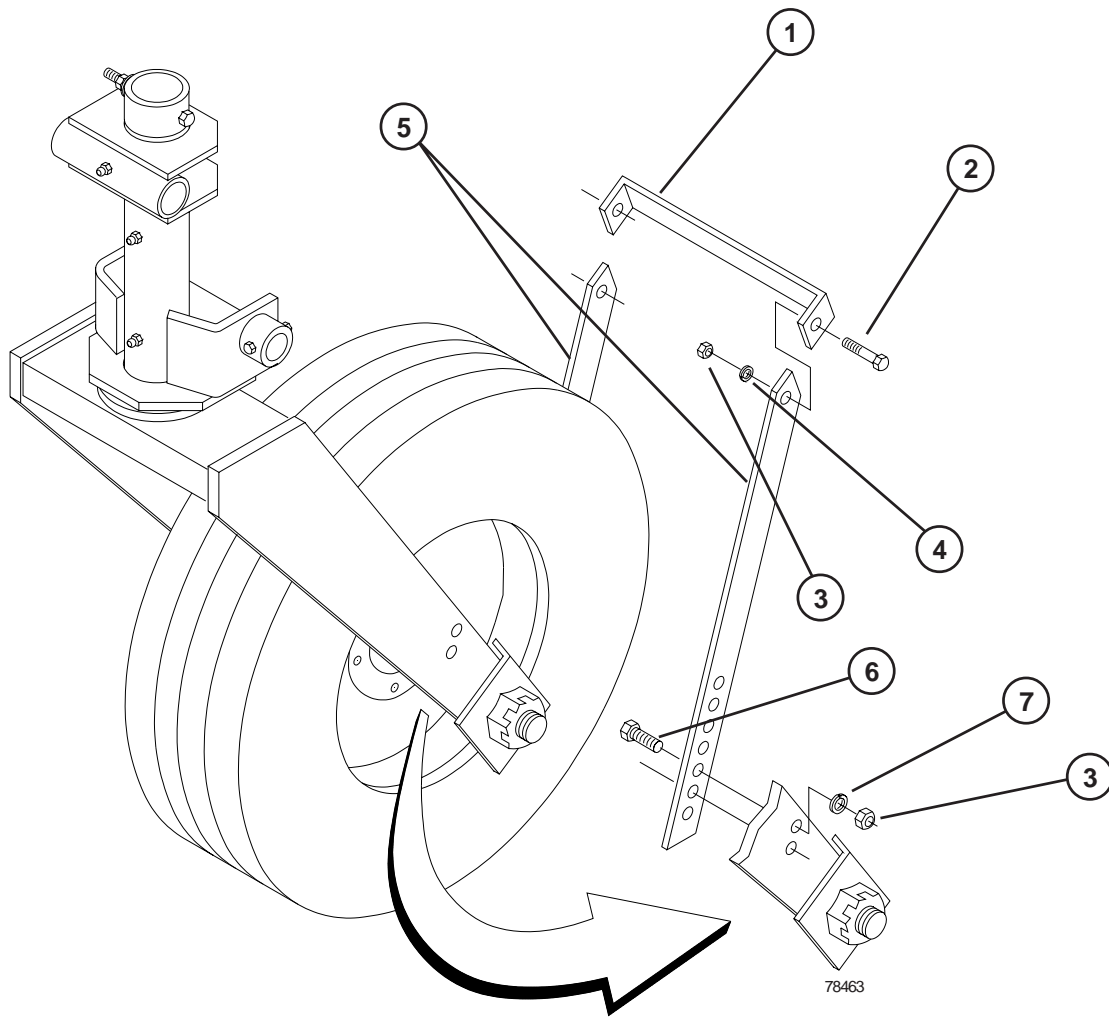


79282

ITEM	PART NO	DESCRIPTION
	61851	TIRE SCRAPER KIT (PR)
1	61835	SCRAPER BAR
2	61837	5/8" DIAx13-1/2" SCRAPER BAR
3	88294	5/8"NCx2" GR5 BOLT
4	88845	5/8"NC LOCK NUT
5	88277	5/8" FLAT WASHER

**NOTE: 1 Kit does two (2) tires.**

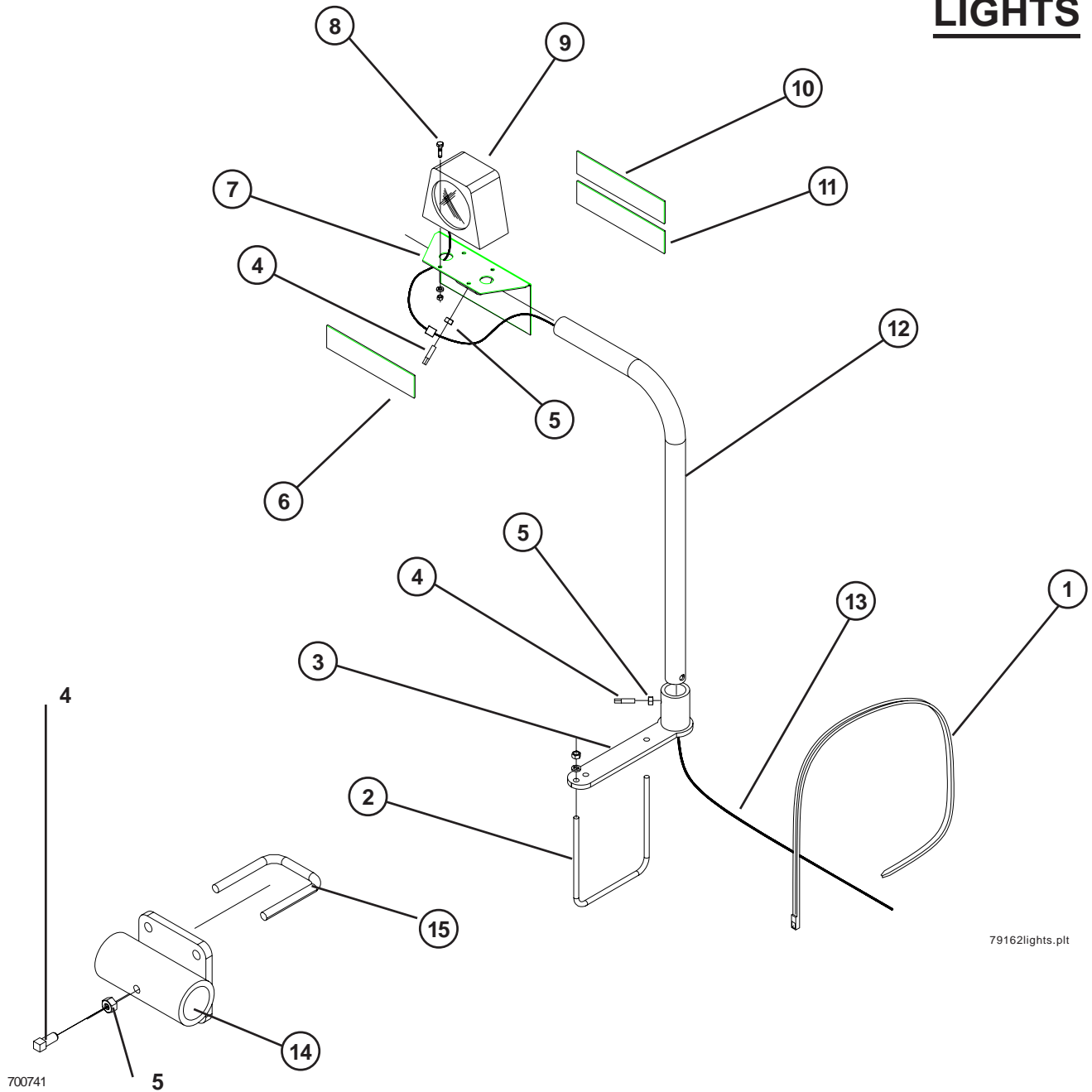
# GAUGE WHEEL SCRAPER



ITEM	PART NO	DESCRIPTION
	58799	GAUGE WHEEL SCRAPER KIT
1	58800	SCRAPER BLADE - 18"
2	88475	1/2"X1-1/2" GR5 BOLT
3	88104	1/2"NC NUT
4	88303	1/2" LOCK WASHER

ITEM	PART NO	DESCRIPTION
5	40915	SCRAPER BAR
6	88517	1/2"NCX1-3/4" GR5 BOLT
7	88303	1/2" LOCK WASHER

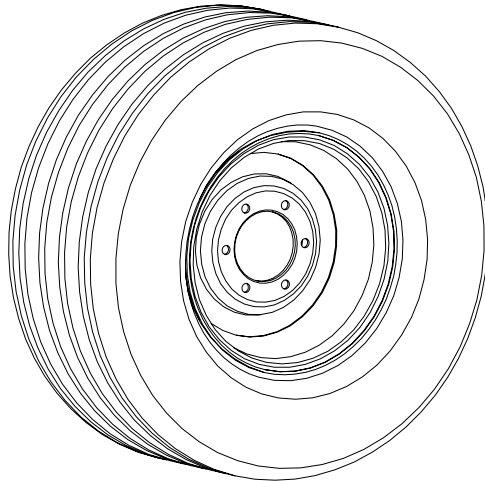
# LIGHTS



79162lights.plt

ITEM	PART NO	DESCRIPTION	ITEM	PART NO	DESCRIPTION
	233685	LIGHT KIT (QX/XL SMALL WING)	11	223118	RED/ORANGE FLUORESCENT DECAL
	223178	LIGHT KIT (QX/XL)	12	223140	12"x12" LIGHT ARM
1	13479	4" SQUARE TIE LOOP		223121	48" OFFSET LIGHT ARM
2	88385	3/8"NCx4"x4-3/4" U-BOLT	13	223330	AG LIGHT KIT
3	223130	SHORT BASE PIVOT		223145	AG MODULE
4	88702	3/8"NCx3/4" SQ HEAD SET SCREW		223146	WISHBONE 4 LEAD
5	88103	3/8"NC NUT		64597	35' HARNESS
6	22372	AMBER REFLECTOR	14	223123	PIVOT PLATE - R/B 240237
7	223126	LIGHT/REFLECTOR BRACKET	15	88386	3/8"NCx2-1/2"x3-1/4" U-BLT
8	88203	1/4"NCx1" BOLT			
9	223143	AMBER LIGHT			
	223144	RED LIGHT			
10	22371	RED REFLECTOR			

# TIRE ASSEMBLIES, RIMS, TIRES , VALVE STEMS

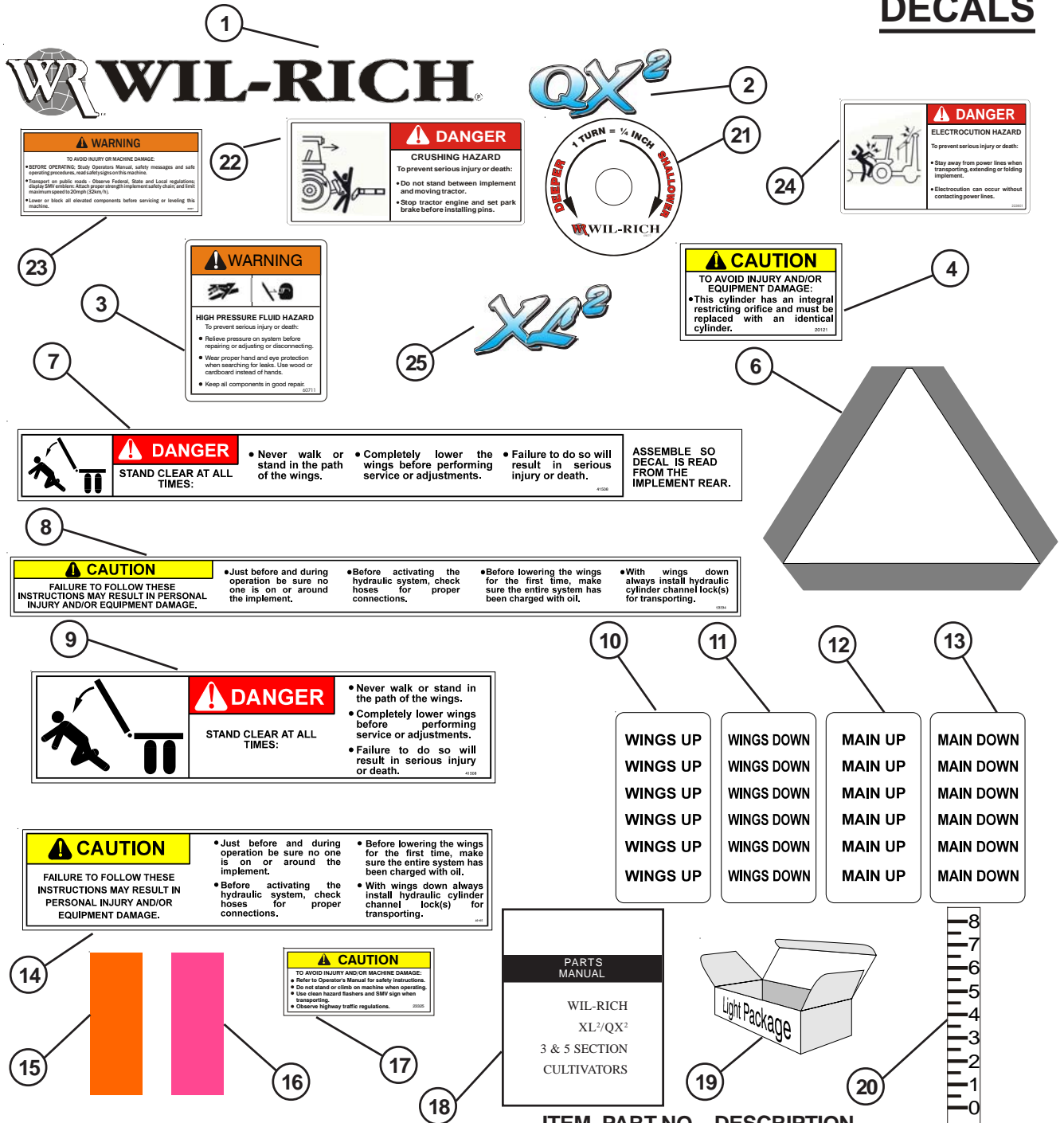


**IDENTIFY WHICH TIRE ASSEMBLY YOU REQUIRE, MOST WIL-RICH IMPLEMENTS HAVE MULTIPLE TIRE/RIM OPTIONS.**

ASSEMBLY	DESCRIPTION
16290	WHL ASSY 9.5LX15 6B 8" 8PLY
10498	RIM 15X8 6B (W511535V PO2)
16287	TIRE 95LX15 8PLY
30784	VALVE STEM ASSY TR415
24538	WHL ASSY 11LX15 6B 8" 8P GRAY
10498	RIM 15X8 6B (W511535V PO2)
29066	TIRE 11L X 15 8PLY
30784	VALVE STEM ASSY TR415
65696	WHL ASSY 11LX15 6B 10" 12PGRAY
41279	TIRE 11L X 15 12 PLY
46714	RIM 15X10 6B (W50534VP02)
57908	VALVE ASSEMBLY (STEEL)
222087	WHL ASSY 31X13.5 6B 10" 12P GRAY
222088	31 X 13.50-15 12PLY TIRE
46714	RIM 15X10 6B (W50534VP02)
57908	VALVE ASSEMBLY (STEEL)
246254	WHL ASSY 13.50-15FI 8B 10IN F
203196	RIM 15 X 10 8B 8-6 (W51350V P02)
246253	13.50-15 FI F HWY IMP TIRE
57908	VALVE ASSEMBLY (STEEL)



# DECALS



ITEM	PART NO	DESCRIPTION	ITEM	PART NO	DESCRIPTION
1	64404	WIL-RICH DECAL	13	54903	MAIN DOWN DECAL
2	242815	QX <sup>2</sup> DECAL	14	49165	CAUTION DECAL
3	60711	HIGH PRESSURE FLUID HAZARD	15	22372	AMBER REFLECTOR
4	20121	INTEGRAL RESTRICTOR DECAL	16	22371	RED REFLECTOR
5	242816	XL <sup>2</sup> DECAL	17	23325	CAUTION DECAL - READ
6	41345	SMV KIT	18	74294	QX <sup>2</sup> /XL <sup>2</sup> PARTS MANUAL
7	41508	WING LOCK DANGER DECAL	19	223178	CLEARANCE LIGHT PACKAGE
8	53334	CAUTION DECAL	20	69304	DEPTH GAUGE DECAL
9	49163	WING LOCK DANGER DECAL	21	69077	DEPTH ADJUSTMENT DECAL
10	54900	WINGS UP DECAL	22	222802	CRUSHING DECAL
11	54901	WINGS DOWN DECAL	23	24227	WARNING DECAL-OPERATING
12	54902	MAIN UP DECAL	24	222801	ELECTROCUTION DECAL

# NOTES

